

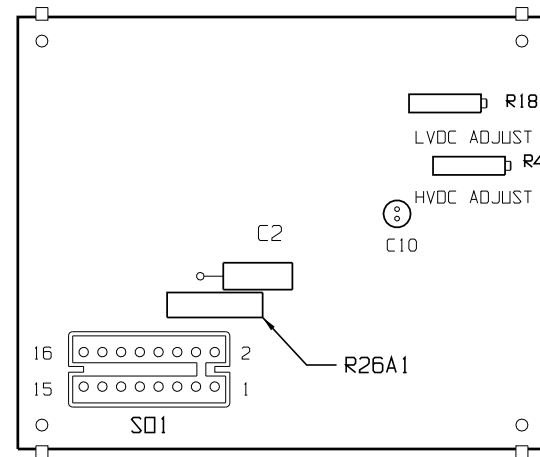
NOTES:

- 1) ENCLOSURE IS A NEMA-1 / IP20 TYPE STEEL CABINET WITH TOP AND BOTTOM VENTED PANELS. FINISH IS ANSI-61 GRAY EPOXY POWDERCOAT.
- 2) FRONT PANEL HINGES DOWN, AND GROUND STUDS ARE PROVIDED INTERNALLY.
- 3) ENCLOSURE FEATURES TWO (2) PRE-FAB KEY-SLOT KNOCK-OUTS AS SHOWN FOR 1in / 25mm CONDUIT ENTRY. RUBBER GROMETS ARE SUPPLIED.
- 4) ENCLOSURE FEATURES FOUR (4) .313in / 7.9mm HOLES FOR WALL-MOUNTING WITH USER-SUPPLIED 0.25in / 6.4mm HARDWARE.
- 5) reserved
- 6) VENT/FAN CONTROL ASSEMBLY IS NOT A UL, CSA, CE, OR NRTL LISTED UNIT.
- 7) SEE JA5052-10 FOR INSTALLATION & OPERATING INSTRUCTIONS.

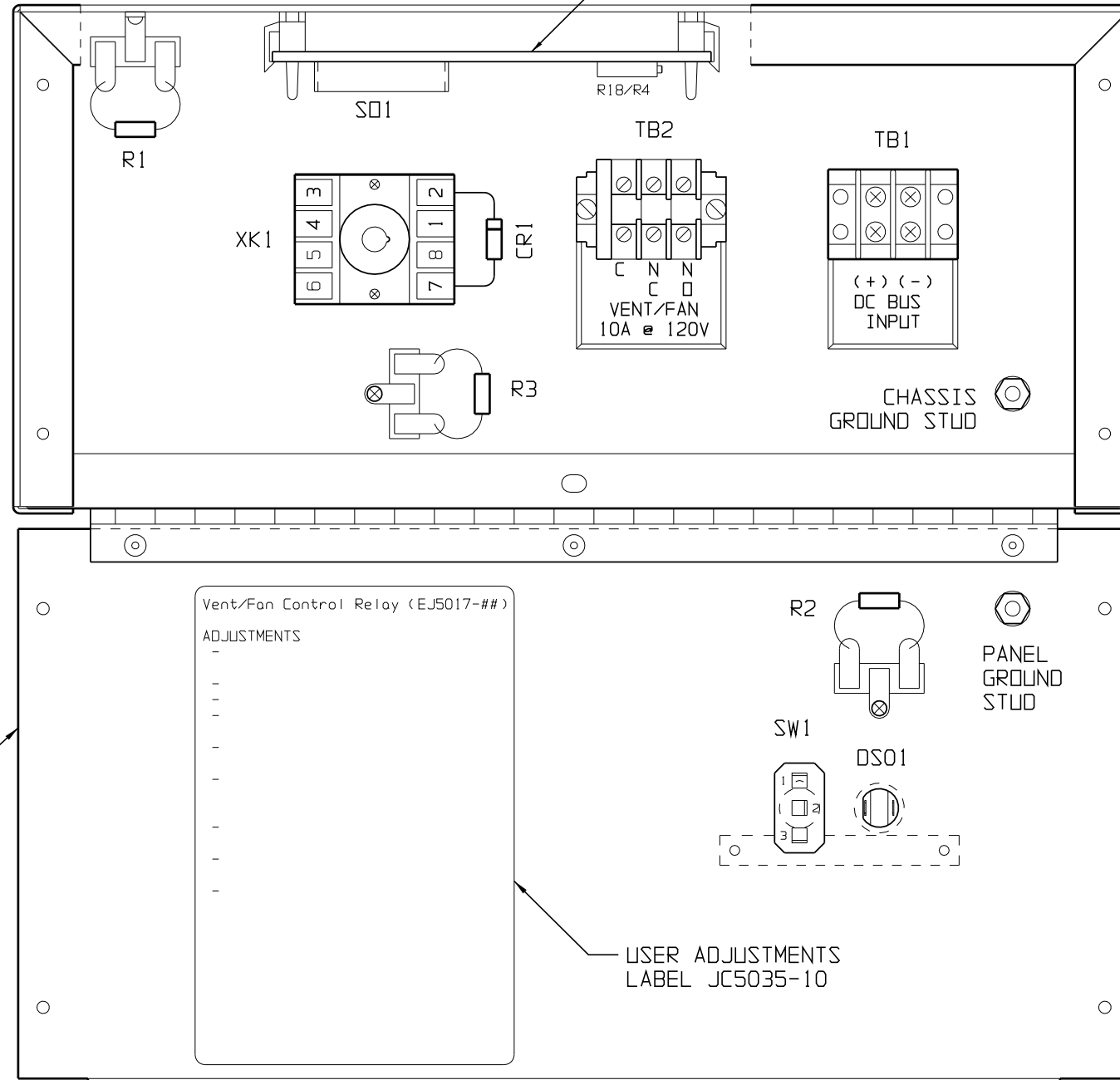
DUAL DIMENSIONS in mm

			THIRD ANGLE PROJECTION					
			DRAWN BY MCR 031920	TITLE AT SERIES VENT/FAN CTRL ASSY OUTLINE: NEMA-1 STYLE-599 ENCLOSURE 10A EJ5017-25				
B	-N/A-	030221	ELECTRONIC APPROVAL SIGNATURES MAINTAINED BY MFG ECN LOG		DRAWING No JE5119-25		REV B	B
A	-N/A-	031920	UNLESS OTHERWISE NOTED DIMENSIONS ARE IN INCHES. TOLERANCES ARE:		SCALE NTS		PART No JE5119-25	SHEET 1 OF 2
REV	ECN No	DATE						

A1 VOLTAGE SENSE CTRL PC BOARD
(FRONT VIEW)



TOP VIEW WITH PANEL REMOVED



SYM	STANDARD COMPONENT DESCRIPTION
A1	VOLTAGE SENSE CTRL PC BOARD
R4	PCB (A1) HIGH ADJ POTENTIOMETER
R18	PCB (A1) LOW ADJ POTENTIOMETER
R26A1	PCB (A1) VDC RATING RESISTOR
SO1	PCB (A1) WIRING SOCKET
CR1	RELAY (K1) PROTECTION DIODE
DS01	VENT/FAN ON (GREEN) IND LIGHT
K1	POWERED (10A) DPDT RELAY
R1	PCB (A1) P/S BALLAST RESISTOR
R2	IND (DS01) 48V P/S BALLAST RES
R3	EQUALIZE VOLTAGE DROP RESISTOR
SW1	MANUAL (ON/OFF) TOGGLE SWITCH
TB1	DC BUS INPUT TERMINAL BLOCK
TB2	VENT/FAN CONTACT TERMINAL BLOCK

INSIDE SURFACE
OF OPENED
HINGED FRONT
PANEL

USER ADJUSTMENTS
LABEL JC5035-10

NOTES:

- GROUND STUDS ARE PROVIDED INTERNALLY.
- VENT/FAN CONTROL ASSEMBLY IS NOT A UL, CSA, CE, OR NRTL LISTED UNIT.
- SEE JA5052-10 FOR INSTALLATION & OPERATING INSTRUCTIONS.

I/O TERMINAL	DESCRIPTION - TYPE	CONNECTION
TB1	DC BUS (+/-) INPUT TERMINAL BLOCK - 6-32 COMP SCREWS	#16-14 AWG
TB2	VENT/FAN CONTACT TERMINAL BLOCK - TUBULAR COMP SCREWS	#18-8 AWG
GND	CHASSIS / PANEL GROUND - 10-32 ZPS STUD HARDWARE	#10 RING LUG

		TITLE AT SERIES VENT/FAN CONTROL INTERNAL COMP LAYOUT ST-599 ENCL 10A EJ5017-25	
DRAWN BY MCR ELECTRONIC APPROVAL SIGNATURES MAINTAINED BY MFG ECN LOG	031920	DRAWING No JE5119-25	REV B
UNLESS OTHERWISE NOTED DIMENSIONS ARE IN INCHES. TOLERANCES ARE:		SCALE NTS	PART No JE5119-25 SHEET 2 OF 2