

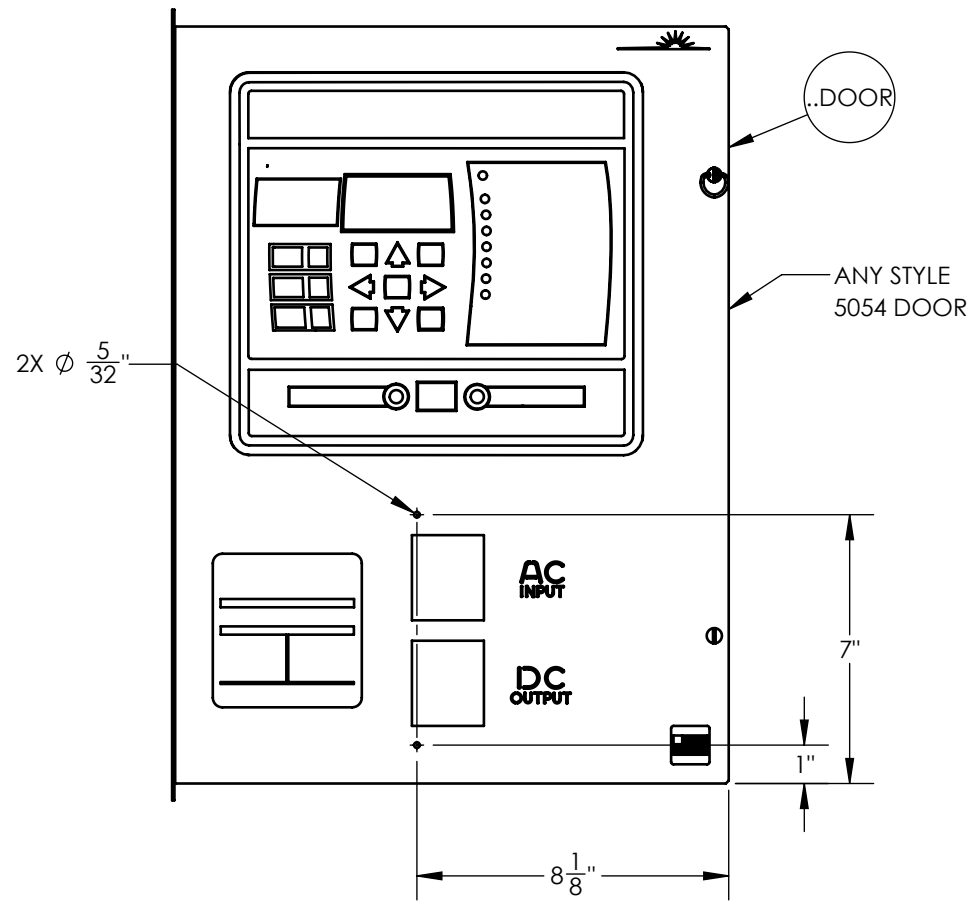
8 7 6 5 4 3 2 1

D

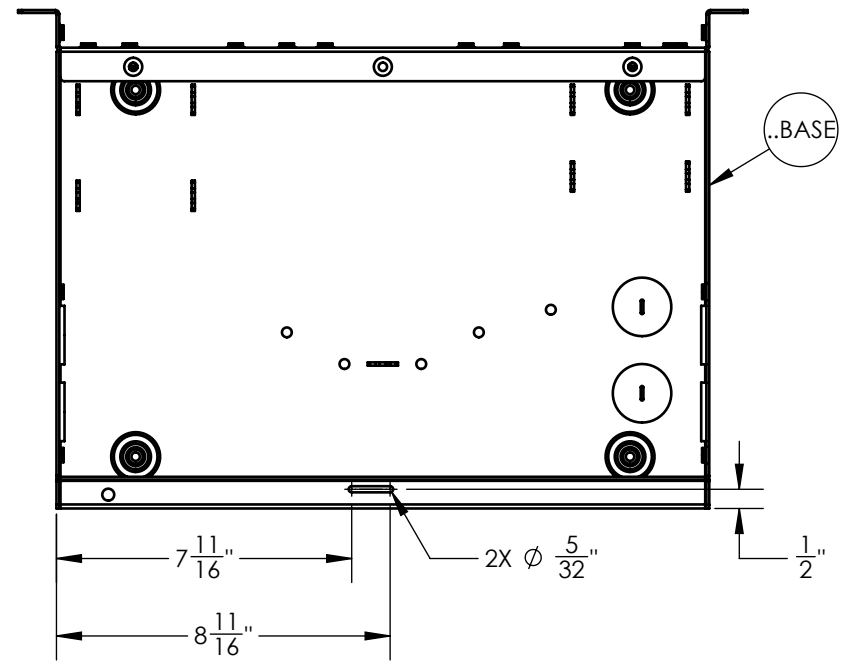
C

B

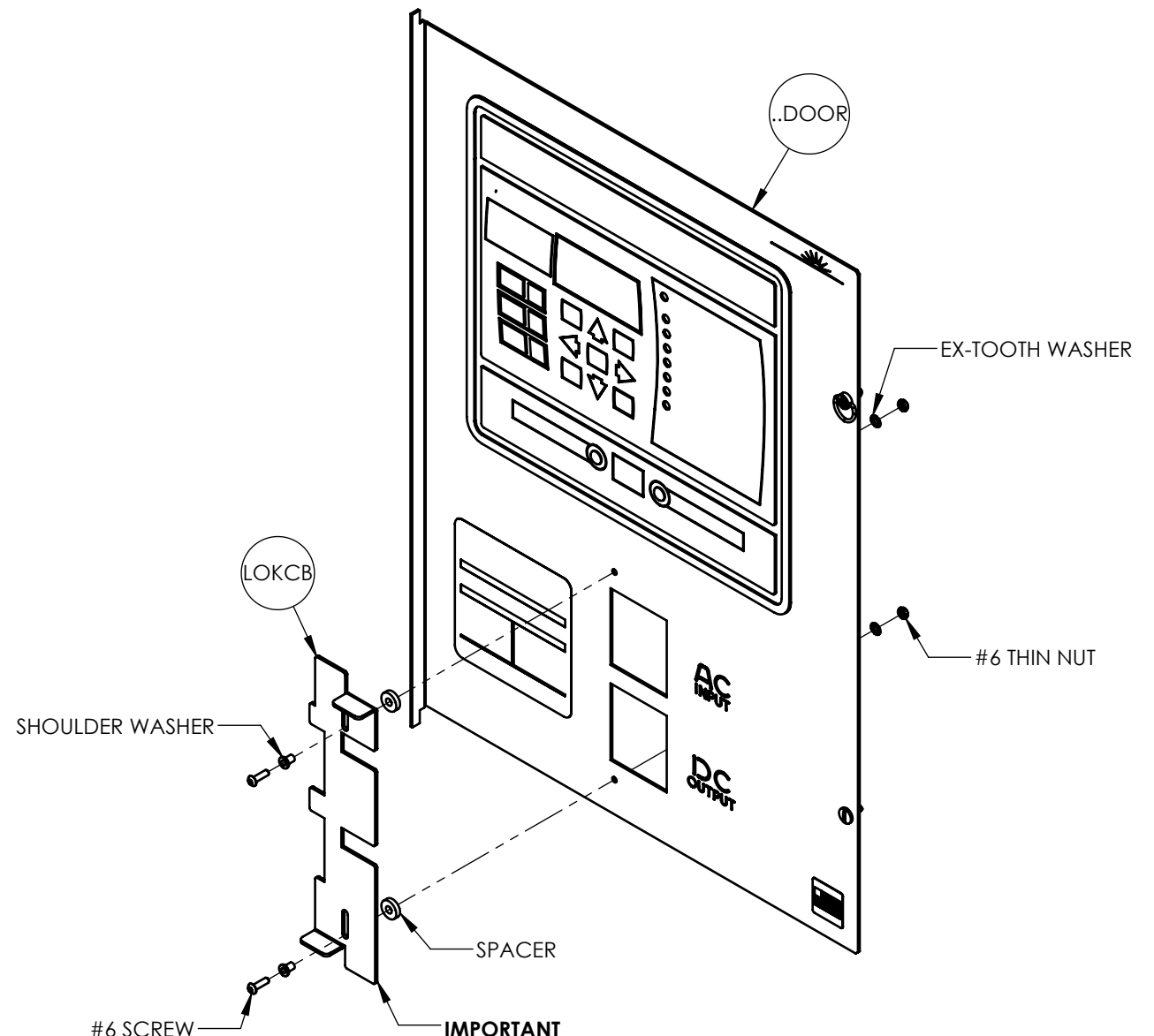
A



FRONT VIEW
DOOR MOD



TOP VIEW
BASE MOD



IMPORTANT
DRAWING SHOWS INSTALLION FOR B-FRAME BREAKERS, IF MULTI-9 BREAKERS ARE NEEDED, ROTATE BRACKET CLOCKWISE 180°

ISO VIEW
INSTALLATION

C:\Hindle Vault\Parts Directory\E - Assemblies\EI - Mechanical Assemblies\EI5136\EI5136-01

REV. 1	DRN BY MS	CHK BY KB	APP BY @:	DATE 04/11/22	DRN BY @:	DATE: 7/22/2021
DESCRIPTION					CHK BY @:	DATE: 7/22/2021
UPDATED BASED ON AS BUILT VERSION FROM FIRST ORDER					APP BY @:	DATE: 7/22/2021
<small>UNLESS OTHERWISE SPECIFIED ALL DIMENSIONS FOLLOW THE ANSI SYSTEM IPS (INCHES-POUNDS & SECONDS) TOLERANCES ARE: FRAC. $\pm 1/64$, DEC. ± 0.15, ANG $\pm .25^\circ$</small>						
<small>PROPRIETARY AND CONFIDENTIAL NOTICE ANY REPRODUCTION, PARTIAL OR AS A WHOLE OF THIS DOCUMENT WITHOUT THE WRITTEN PERMISSION OF HINDLE POWER, INC IS STRICTLY PROHIBITED.</small>					B	

		HINDLEPOWER	
ATEVO ACCESSORIES KIT,BKR/DOOR,I-LOCK,EV1,ST-5054 FEATURES & OPTIONS, PIP			
SCALE 1:5	DWG No EI5136-01	REV 1	SHEET 1 OF 1

8 7 6 5 4 3 2 1