

8

7

6

5

4

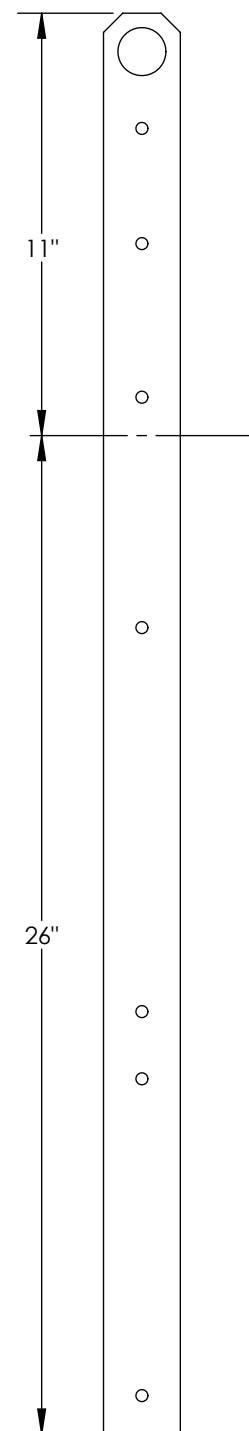
3

2

1

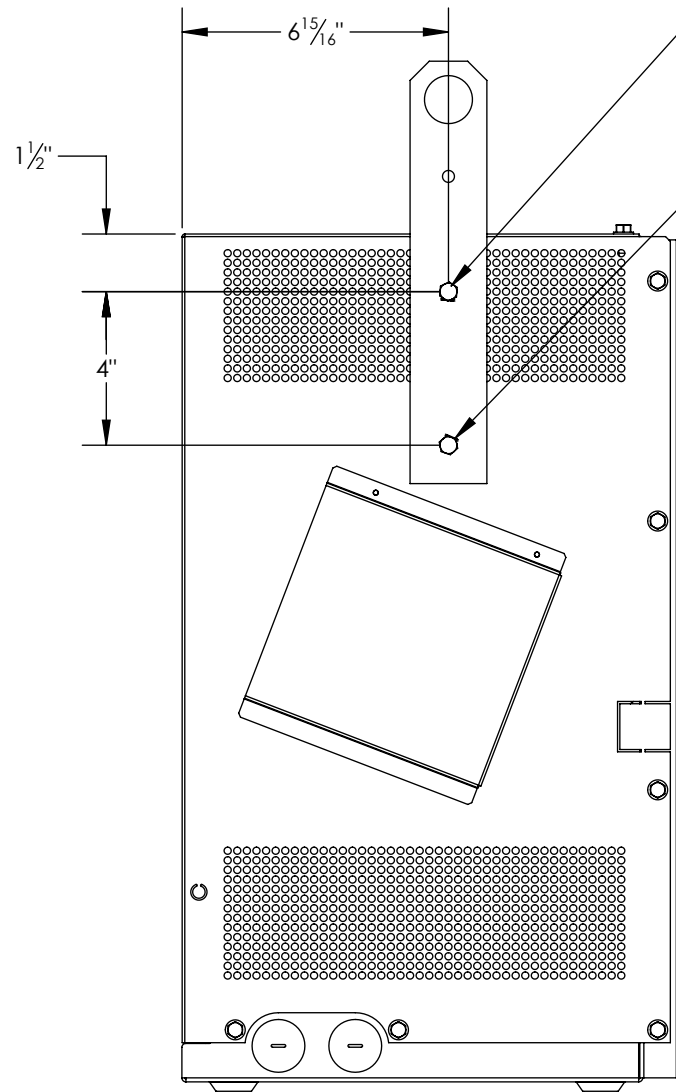
D

D



**FC5053-00  
AFTER  
MODIFICATION**

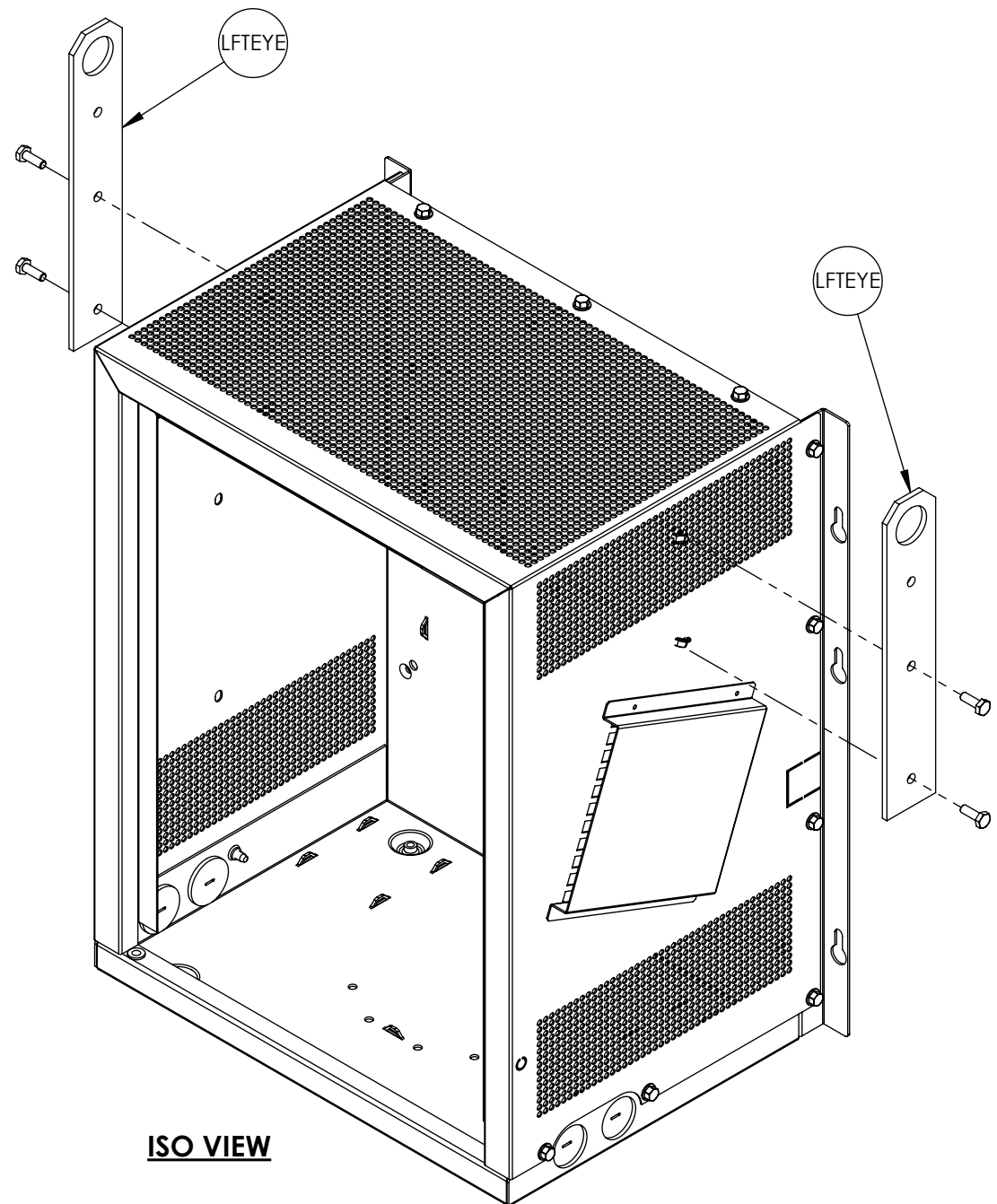
**FC5053-00  
MODIFICATION  
DETAIL**



**RIGHT SIDE**

FIND PERFORATED HOLE  
NEAREST THIS LOCATION  
DRILL 1/4" THROUGH HOLE  
2X

FIND POSITION PARALLEL  
WITH HOLE ABOVE AND  
DRILL 1/4" THROUGH HOLE  
TO MOUNT LOWER  
POSITION  
2X



**ISO VIEW**

C:\Hindle Vault\Parts Directory\E - Assemblies\EI - Mechanical Assemblies\EI5048\EI5048-51

REV. 0	DRN BY	CHK BY	APP BY	DATE	DRN BY	DATE:
				1/10/2022	K/B	12/17/2021
DESCRIPTION				CHK BY	DATE:	
Initial Release				M/S	1/10/2022	
				APP BY	DATE:	
				@:	2/25/2022	
UNLESS OTHERWISE SPECIFIED ALL DIMENSIONS FOLLOW THE ANSI SYSTEM IPS (INCHES-POUNDS & SECONDS) TOLERANCES ARE: FRAC. ±1/64, DEC. ±0.015, ANG ±.25°				TITLE		
PROPRIETARY AND CONFIDENTIAL NOTICE ANY REPRODUCTION, PARTIAL OR AS A WHOLE OF THIS DOCUMENT WITHOUT THE WRITTEN PERMISSION OF HINDLE POWER, INC IS STRICTLY PROHIBITED.				EVO OPTIONS ACSY,BKTS,LIFTING.EYE,STYLE-5054 STYLE-5054 LIFTING EYES		
				SCALE	DWG No	REV
				B	1:5	0
					EI5048-51	SHEET
						1 OF 1



**EVO OPTIONS  
ACSY,BKTS,LIFTING.EYE,STYLE-5054  
STYLE-5054 LIFTING EYES**

**B** SCALE 1:5 DWG No **EI5048-51** REV 0 SHEET 1 OF 1

8

7

6

5

4

3

2

1

A

A