



# HINDLEPOWER

## DC DISTRIBUTION PANEL



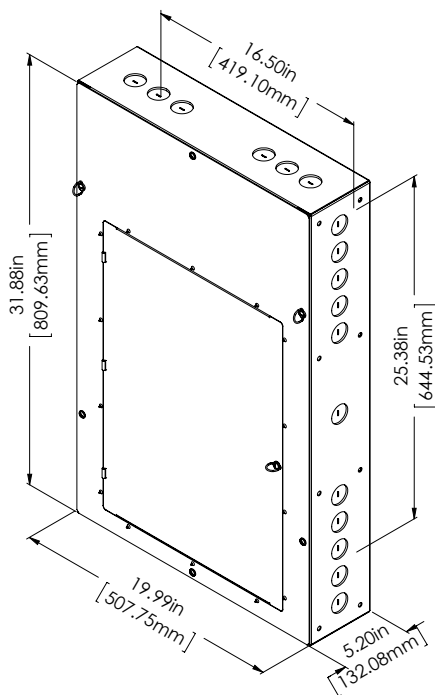
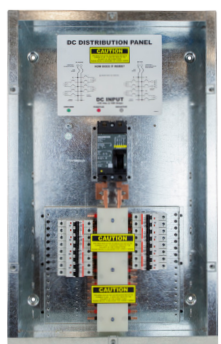
- 16 GA Steel Powder-Coated Construction
- Circuit Breakers Rated for 10 kAIC at 125 Vdc
- 1 Main Circuit Breaker and Up to 15 DC Distribution Circuit Breakers
- NRTL listed to CSA /UL standards
- Custom Configurations Available

# THE DC DISTRIBUTION PANEL FROM HINDLEPOWER

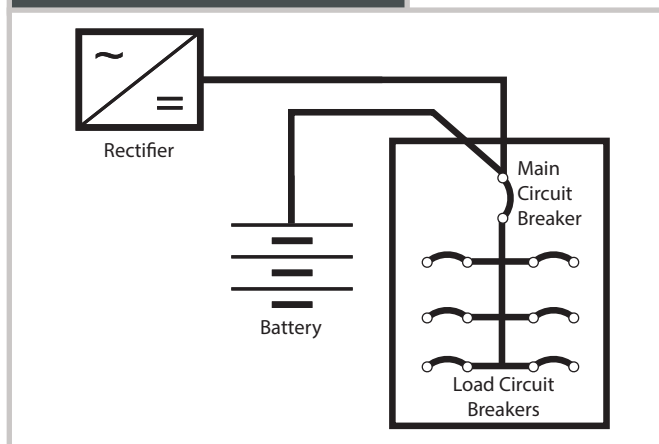
## THE SMART WAY TO CONSOLIDATE YOUR DC LOADS

### PRODUCT INFORMATION:

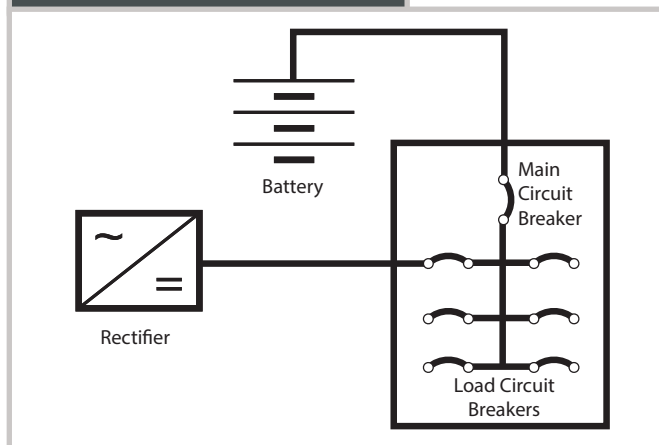
- Circuit breakers rated for 10 kAIC at 125 Vdc. High interrupting capacity breakers are available for special requirements.
- The enclosure is a NEMA-1 / IP20 type enclosure, constructed with 16 GA steel, with ANSI-61 gray epoxy powdercoat paint.
- Standard configuration is one (1) main circuit breaker (100A or 200A trip rating), and up to fifteen (15) distribution circuit breakers (15A, 20A, 30A, 40A, 50A and 60A). Other configurations available.



### CONFIGURATION A



### CONFIGURATION B



### MODEL NUMBERS:

EJ5140-10 (100A Main)  
EJ5140-20 (200A Main)

\* When ordering the DC Distribution Panel, please select configuration (A or B), the size of your main circuit breaker, and number / trip rating of branch circuit breakers.

### FOR MORE INFORMATION:

Call HindlePower at **610.330.9000** to speak with our professional and knowledgeable team.

Our staff is available Monday-Friday from 8:30am-4:30pm EST for phone assistance or online chat.



ETL NRTL/C - CSA C22.2/UL 508A compliant

JF5055-00 Rev4 06-18

All specifications subject to change.