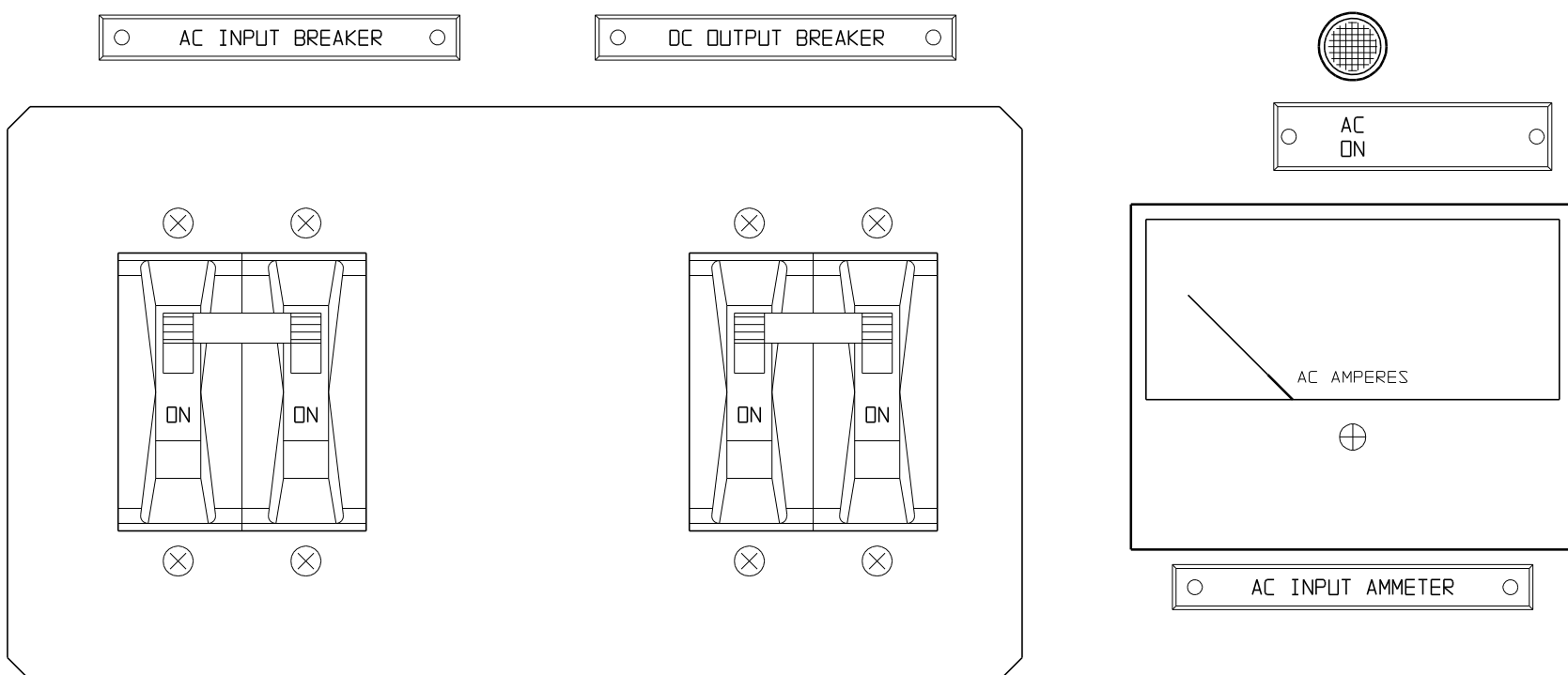


QUICK SET UP:

TURN OFF ALL POWER AND TURN OFF BATTERY CHARGER'S INPUT & OUTPUT BREAKERS CB1 & CB2

1. CONNECT THE INPUT TERMINALS TO AVAILABLE AC POWER.
2. SEE TABLE/NAMEPLATE FOR INPUT CURRENTS REQUIRED.
3. ADJUST THE OUTPUT CURRENT LIMIT TO MINIMUM CCW, IF REDUCED INPUT/OUTPUT CURRENTS ARE REQUIRED.
4. MOVE INPUT JUMPERS ON I/O TO MATCH YOUR INPUT VOLTAGE. SEE CONNECTION CHART BELOW OR INSIDE THE ENCLOSURE.
5. CONNECT CABLES TO DC BUS OR BATTERY. PROPERLY RATE WIRE SIZE FOR THE CURRENT REQUIRED.
6. SELECT OUTPUT VOLTAGE RATING 130V, 48V OR 24V USING THE VOLTAGE SELECTOR SWITCH.
7. PRESS VOLTAGE CHECK SWITCH TO CHARGER VOLTAGE.
8. TURN ON AC SOURCE AND THE AC BREAKER; ADJUST OUTPUT VOLTAGE TO DESIRED SET POINT.
9. PRESS VOLTAGE CHECK SWITCH TO BATTERY VOLTAGE. CHECK FOR PROPER POLARITY AND VOLTAGE.
10. TURN ON DC BREAKER; CURRENT WILL BE DISPLAYED ON THE AC AND DC AMMETERS.
11. INCREASE CURRENT LIMIT ADJUSTMENT CW TO DESIRED OUTPUT/INPUT CURRENT.



6	21406	111908	 THIRD ANGLE PROJECTION	 1075 Saint John Street Easton, PA 18042-6661 PH 610-330-9000 FAX 610-330-8510 www.hindlepowerinc.com
5	20462	121506		
4	20385	102006	DRAWN BY MCR 052104	TITLE UNIVERSAL MAINTENANCE CHARGER (LMC) INSTRUMENT PANEL DETAIL
3	20277	072006	ELECTRONIC APPROVAL SIGNATURES MAINTAINED BY MFG ECN LOG	DRAWING No JE5038-25 REV 6 B
0	E1649	052104	UNLESS OTHERWISE NOTED DIMENSIONS ARE IN INCHES. TOLERANCES ARE:	SCALE NTS PART No JE5038-25 SHEET 1 OF 1
REV	ECN No	DATE		