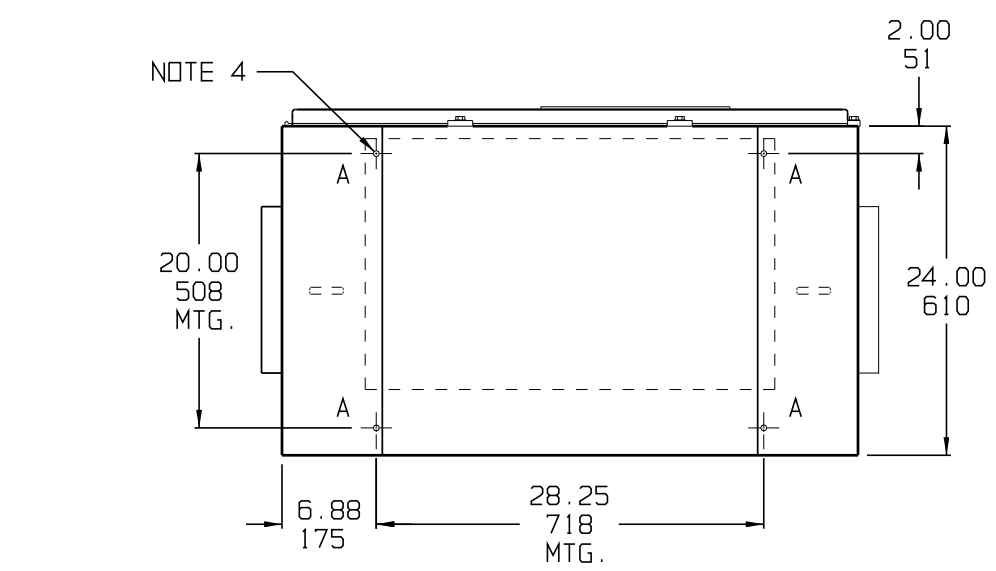
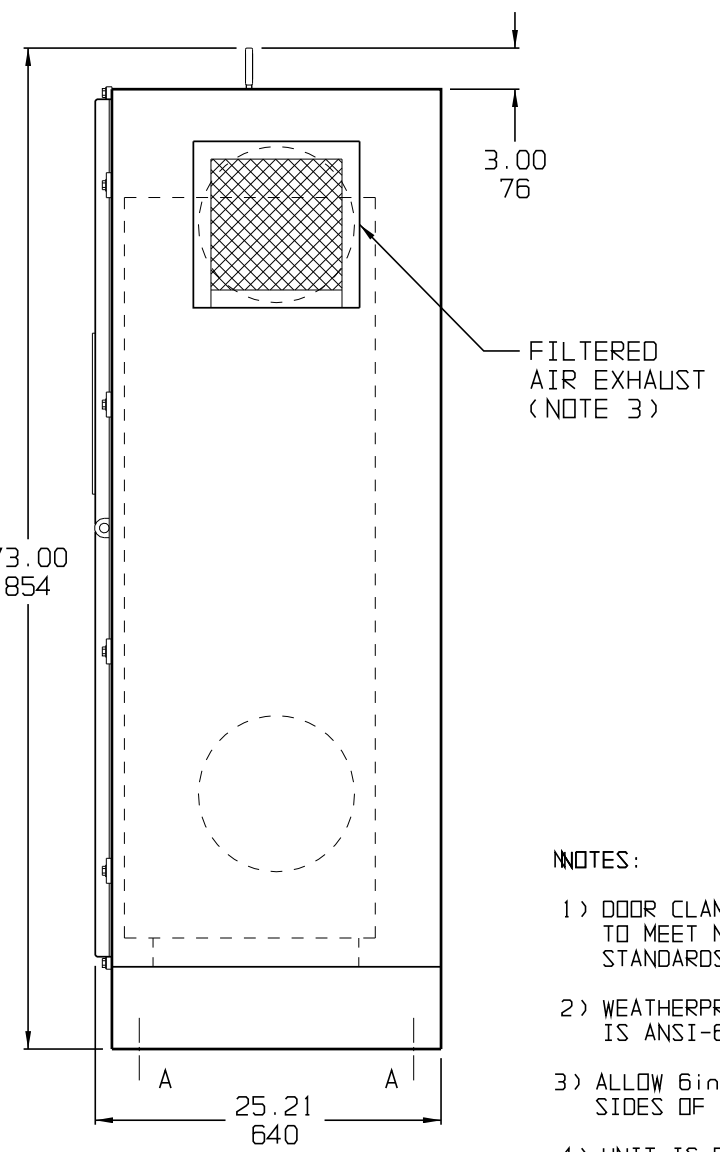
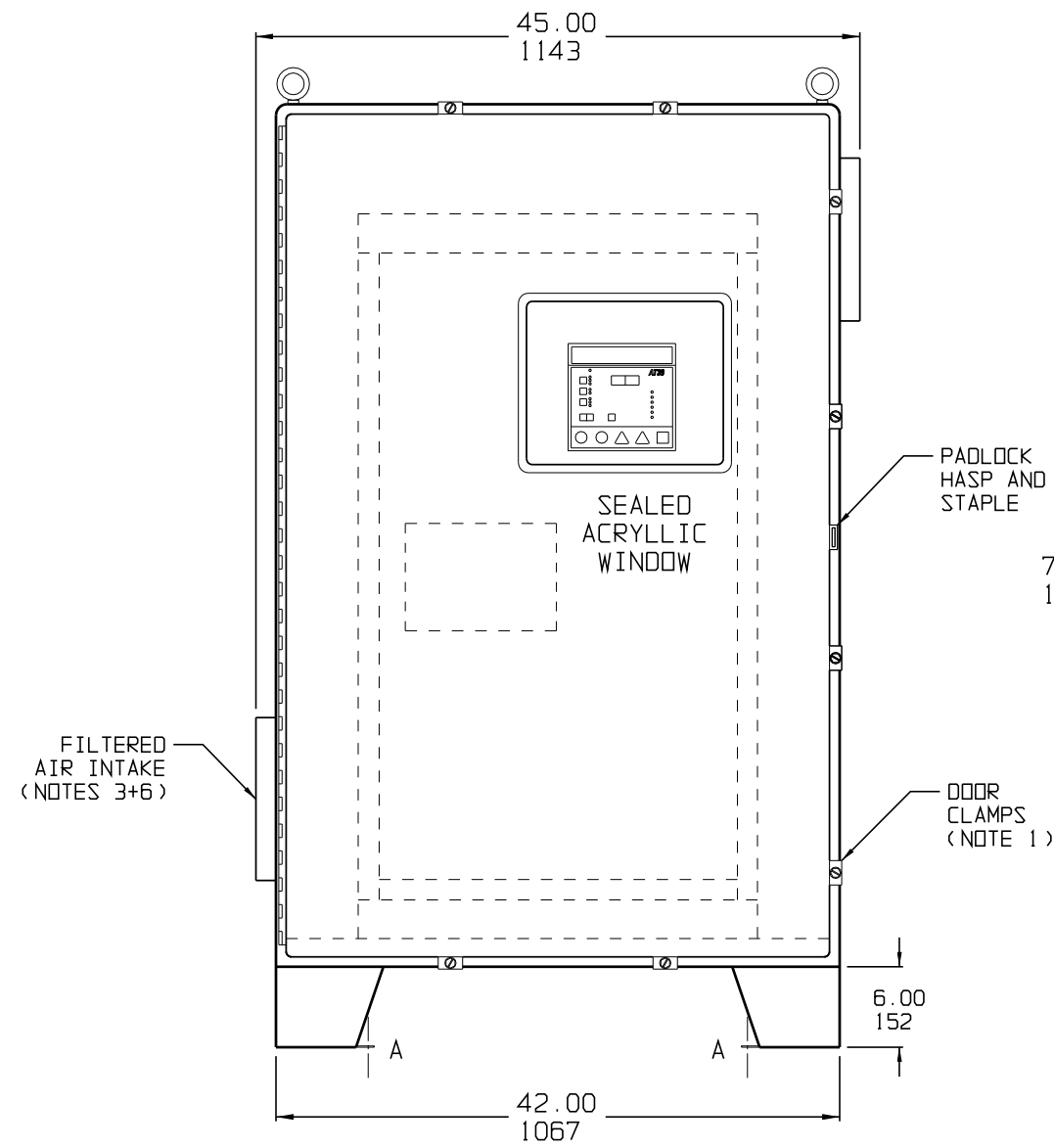


HOLE	DIA.	QTY.	APPLICATION
A	0.438 11.11	4	FLOOR MOUNTING

NEMA-4/12/13 ENCLOSURES FEATURE NO PRE-FABRICATION PROVISIONS FOR CONDUIT ENTRANCE. CABINET SHOULD BE FIELD-MODIFIED BY INSTALLER AS NEEDED FOR I/O.

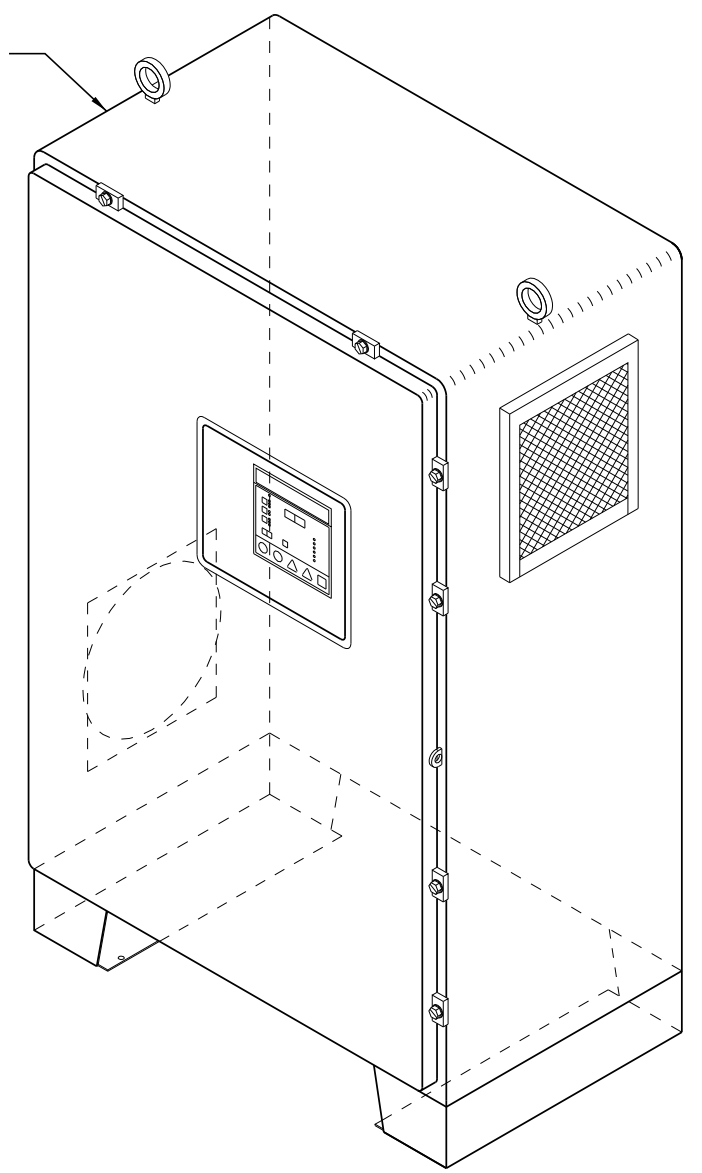


FILTERED AIR EXHAUST (NOTE 3)

NOTES:

- 1) DOOR CLAMPS AND GASKETS SUPPLIED TO MEET NEMA TYPE-4 ENCLOSURE STANDARDS.
- 2) WEATHERPROFF ENCLOSURE FINISH IS ANSI-61 GRAY EPOXY POWDERCOAT.
- 3) ALLOW 6in / 152mm OF FREE AIR ON SIDES OF CABINET FOR VENTILATION.
- 4) UNIT IS FLOOR MOUNTED AND WIRED PER TABLE ABOVE.
- 5) ENCLOSURE (NOT INCLUDING INTERNAL CHARGER) APPROXIMATE SHIPPING WEIGHT: 360 lb / 16 kg
- 6) SHEE SHEET 2 OF 2 FOR INTERNAL CONFIGURATION AND POWERED FAN.

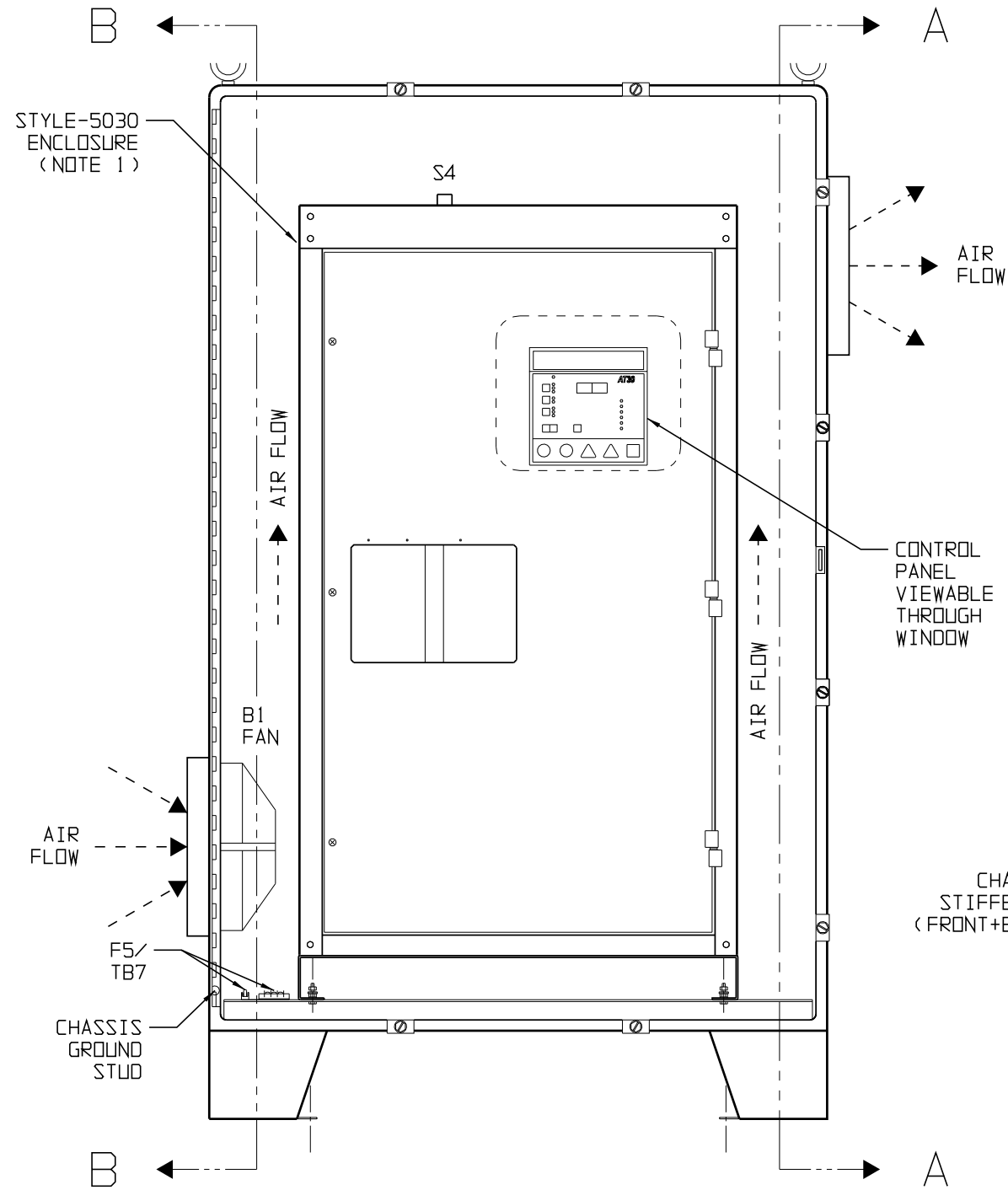
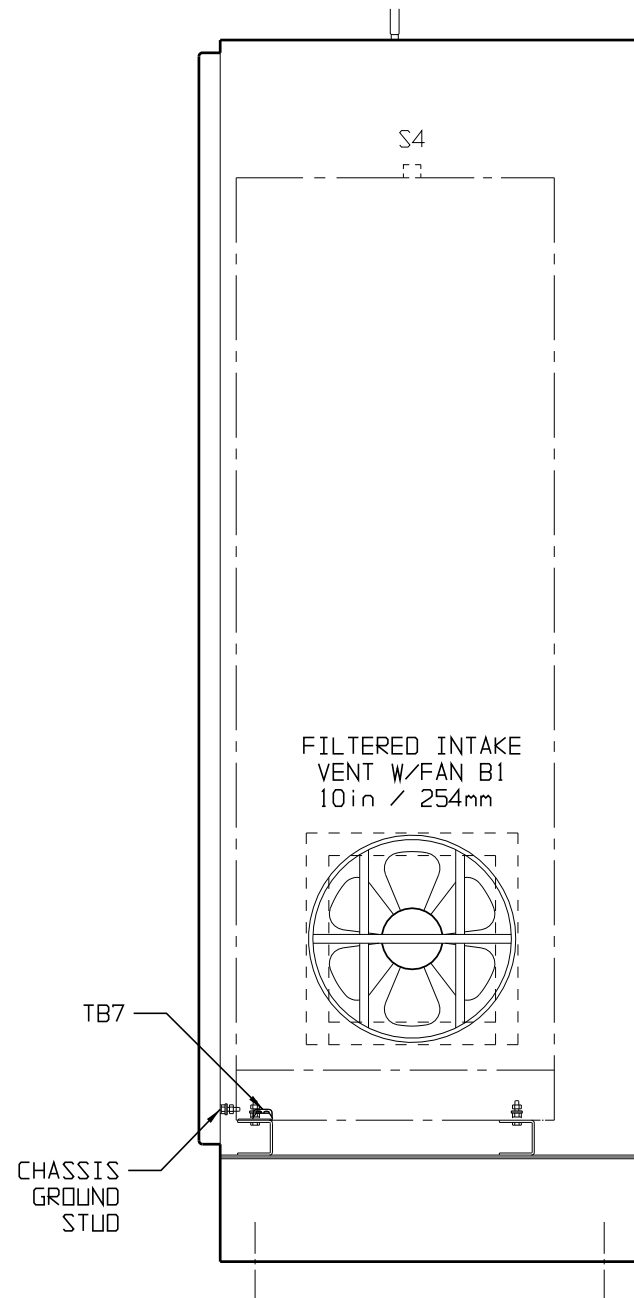
NOTE 2



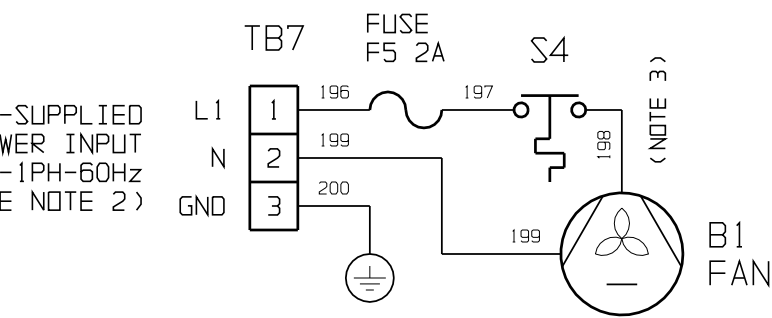
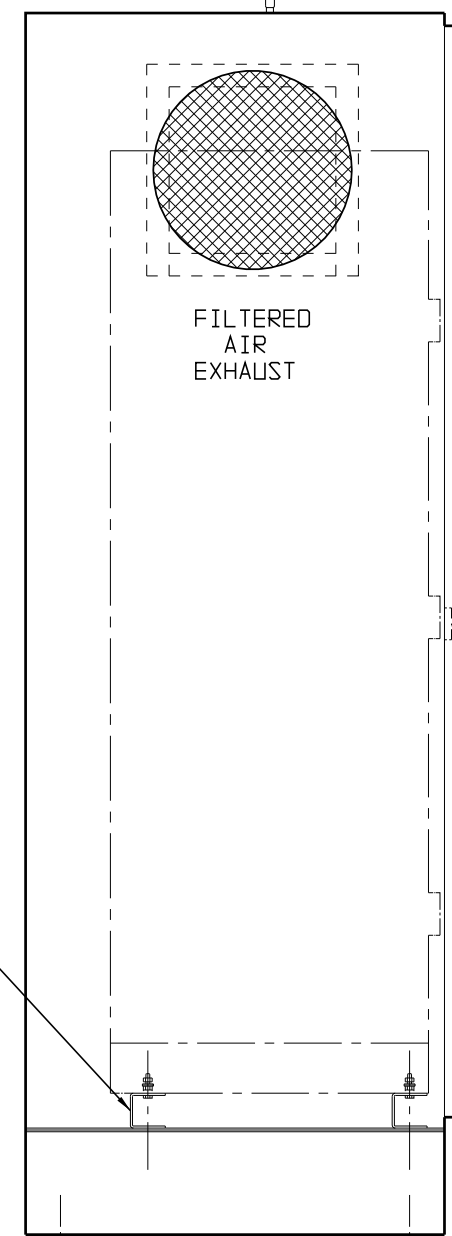
DUAL DIMENSIONS in mm

			 THIRD ANGLE PROJECTION					
2	27407	010620	DRAWN BY	MCR	120208	TITLE AT30 SERIES BATTERY CHARGER OUTLINE: NEMA TYPE-4 ENCLOSURE - STYLE-5057 CABINET		
1	24076	123013	ELECTRONIC APPROVAL SIGNATURES MAINTAINED BY MFG ECN LOG			DRAWING No		REV
0	21438	120208	UNLESS OTHERWISE NOTED DIMENSIONS ARE IN INCHES. TOLERANCES ARE:			JE5108-00		2
REV	ECN No	DATE	SCALE		NTS	SALES No	JE5108-00	SHEET 1 OF 2

SECTION B-B



SECTION A-A



NOTES:

- 1) THIS DRAWING DEPICTS A NEMA TYPE-4 / IP66 CABINET, HOUSING A STANDARD NEMA-1 AT SERIES BATTERY CHARGER. SEE JE5086-00 FOR INTERNAL STYLE-5030 ENCLOSURE DIMENSIONS.
- 2) TB7 3-POS FAN EXTERNAL POWER TERMINAL BLOCK BARRIER TYPE, 6-32 BINDER HEAD SCREW TERMINAL, WILL ACCOMMODATE LUGS FOR #22-14 AWG WIRE.
- 3) VENTING FAN (B1) IS INTERMITTENT, ACTIVATED BY THERMAL SWITCH (S4), WHICH CLOSES ON RISE TO 105 °F / 40.6 °C, AND IS SELF-RESETTING.
- 4) NEMA-4 CABINET INTERNAL FINISH IS SEMIGLOSS WHITE.

WIRE LIST:

No.	FROM	TO	GA	COLOR
196	TB7-L1	F5-1	14	BLACK
197	F5-2	S4-1	14	BLACK
198	S4-2	B1-1	14	BLACK
199	B1-2	TB7-N	14	BLACK
200	TB7-GND	CHASSIS GROUND	12	GRN/YEL

		TITLE AT30 SERIES BATTERY CHARGER OUTLINE: NEMA TYPE-4 ENCLOSURE - STYLE-5057 CABINET	
DRAWN BY MCR	120208	DRAWING No JE5108-00	REV 2
ELECTRONIC APPROVAL SIGNATURES MAINTAINED BY MFG ECN LOG		SCALE NTS	PART No JE5108-00
UNLESS OTHERWISE NOTED DIMENSIONS ARE IN INCHES. TOLERANCES ARE:		SHEET 2 OF 2	B