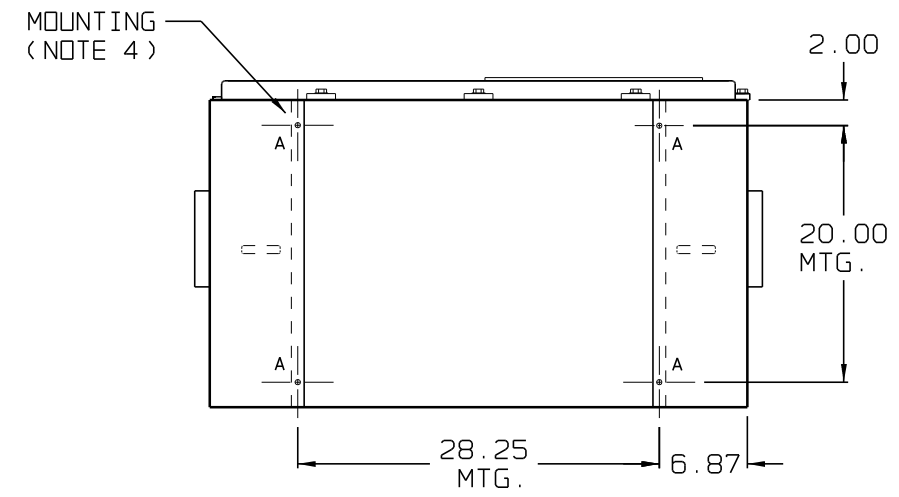
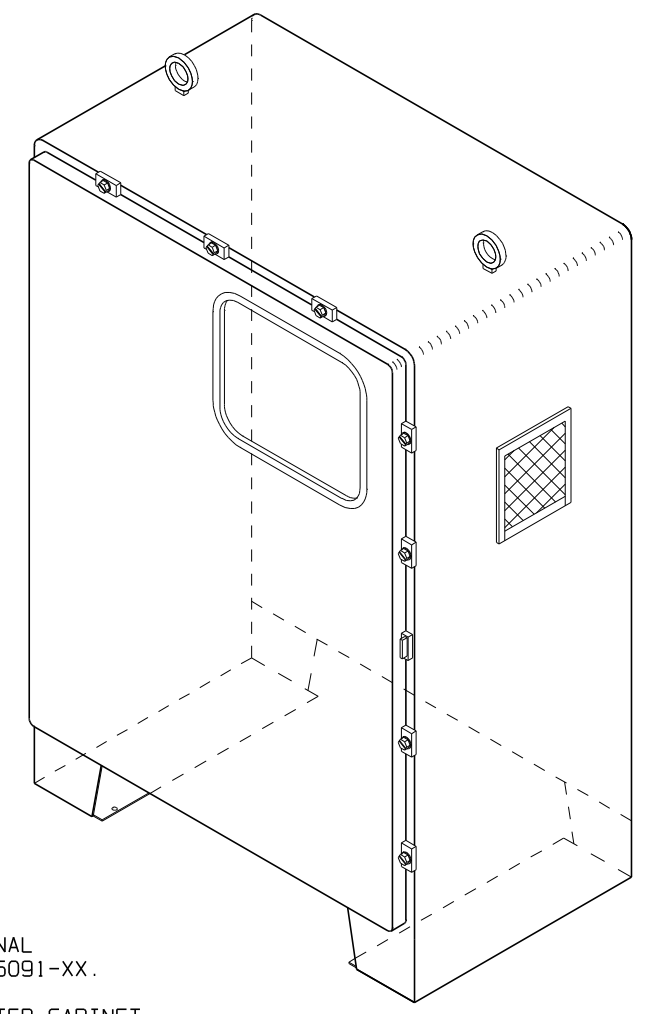
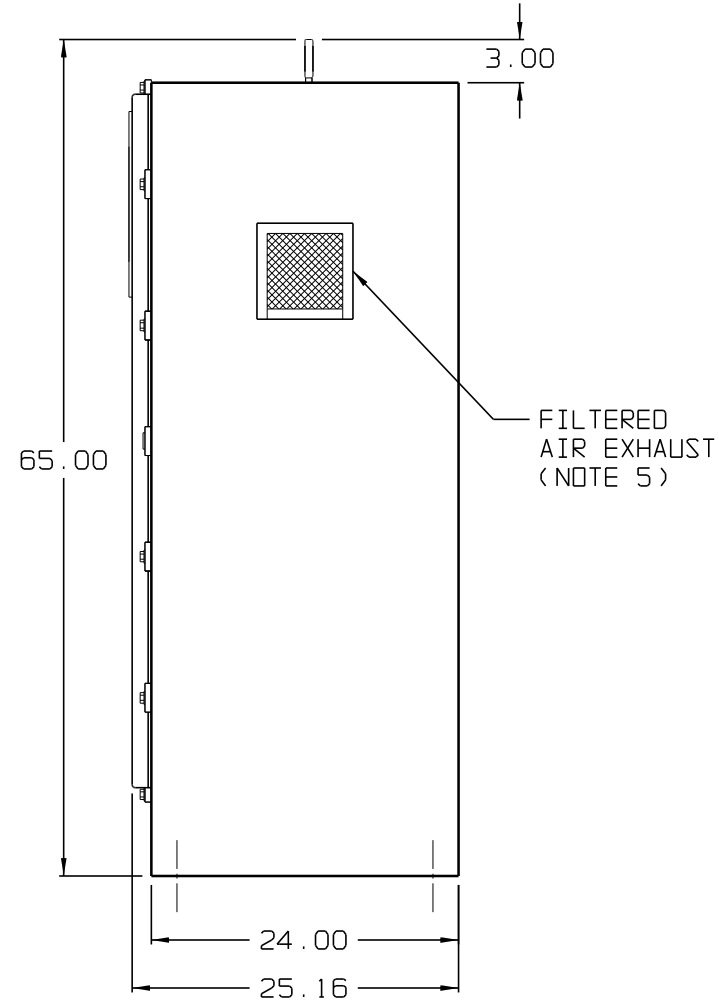
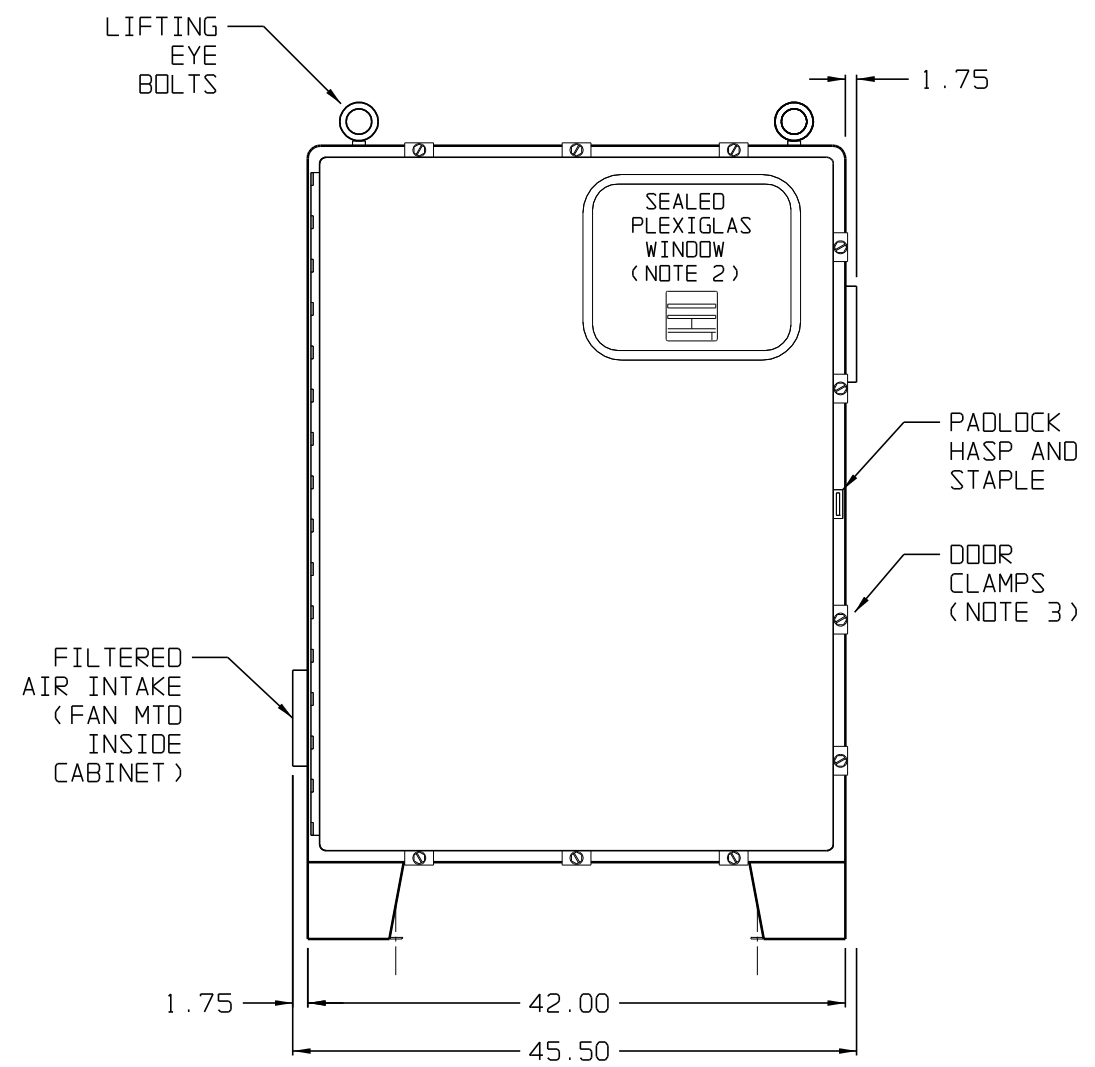


HOLE	DIA.	QTY.	APPLICATION
A	0.438	4	FLOOR MOUNTING

NEMA-4/12 ENCLOSURES FEATURE NO PROVISIONS FOR CONDUIT ENTRANCE. ENCLOSURE SHOULD BE FIELD-MODIFIED BY INSTALLER AS NEEDED FOR I/O.



NOTES:

- BATTERY CHARGER SHIPPING WEIGHT: (see product literature)
- PLEXIGLAS WINDOW PROVIDED TO VIEW INTERNAL INSTRUMENT PANEL, SEE DETAIL DRAWING JE5091-XX.
- ENCLOSURE IS A NEMA-4 TYPE STEEL GASKETED CABINET, FINISH IS ANSI-61 GRAY EPOXY POWDERCOAT.
- ENCLOSURE IS FLOOR-MOUNTED AS SHOWN IN TABLE ABOVE.
- ALLOW 12in OF FREE AIR ON SIDES OF CABINET FOR VENTILATION.

			THIRD ANGLE PROJECTION		1075 Saint John Street Easton, PA 18042-6661 PH 610-330-9000 FAX 610-330-8510 www.hindlepowerinc.com	
			DRAWN BY	MCR	041008	
			APPROVED			
A	N/A	041008	UNLESS OTHERWISE NOTED DIMENSIONS ARE IN INCHES. TOLERANCES ARE:			TITLE AT30 SERIES BATTERY CHARGER OUTLINE: NEMA-4/12 STYLE-5039 VENTED ENCLOSURE DRAWING No JE5198-00 SCALE NTS PART No JE5198-00 SHEET 1 OF 1
REV	ECN No	DATE				REV A B SHEET 1 OF 1