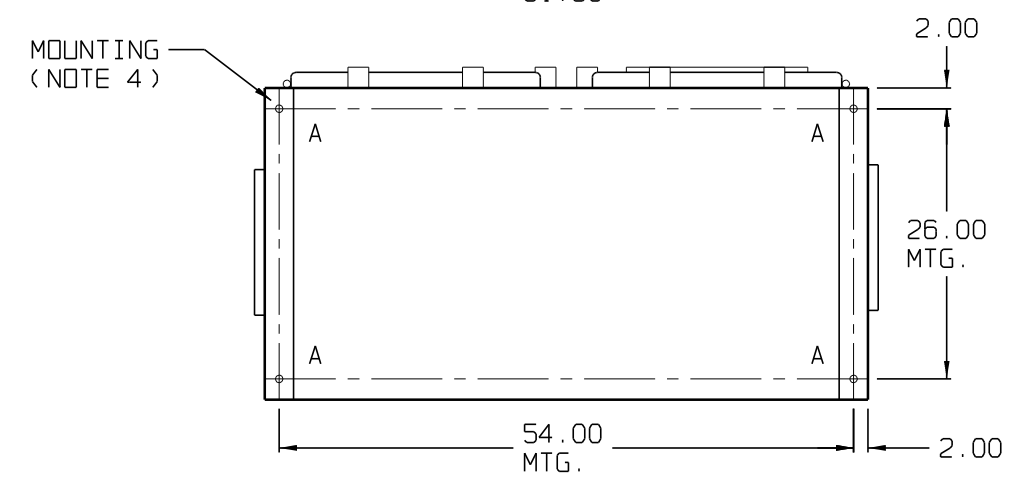
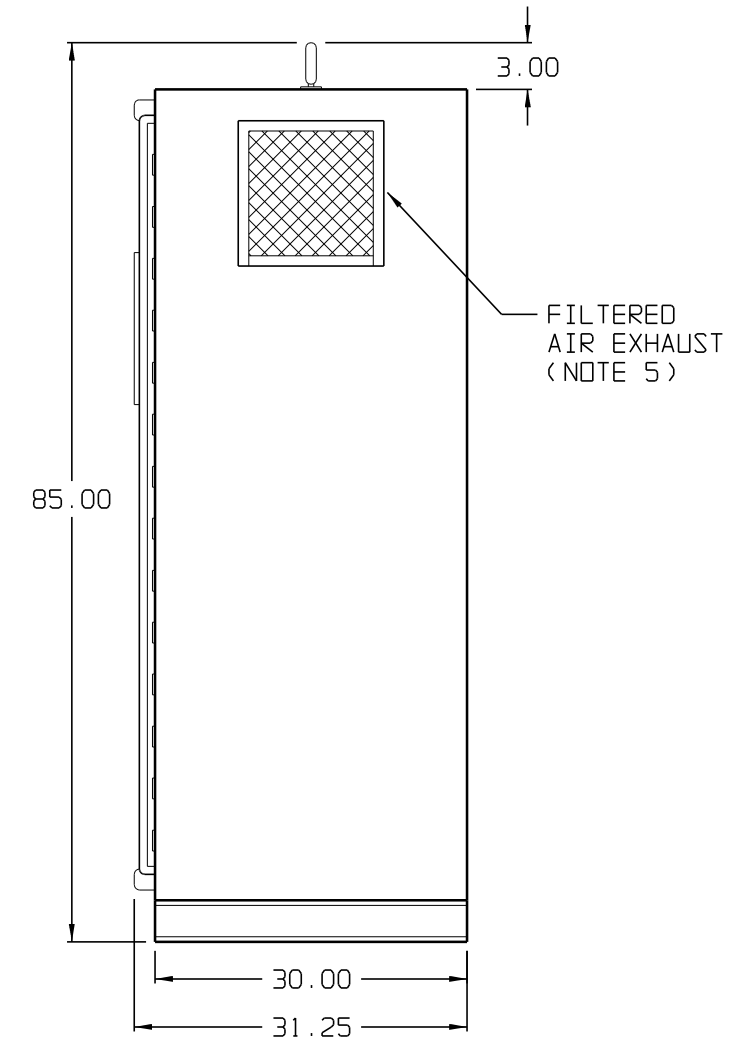
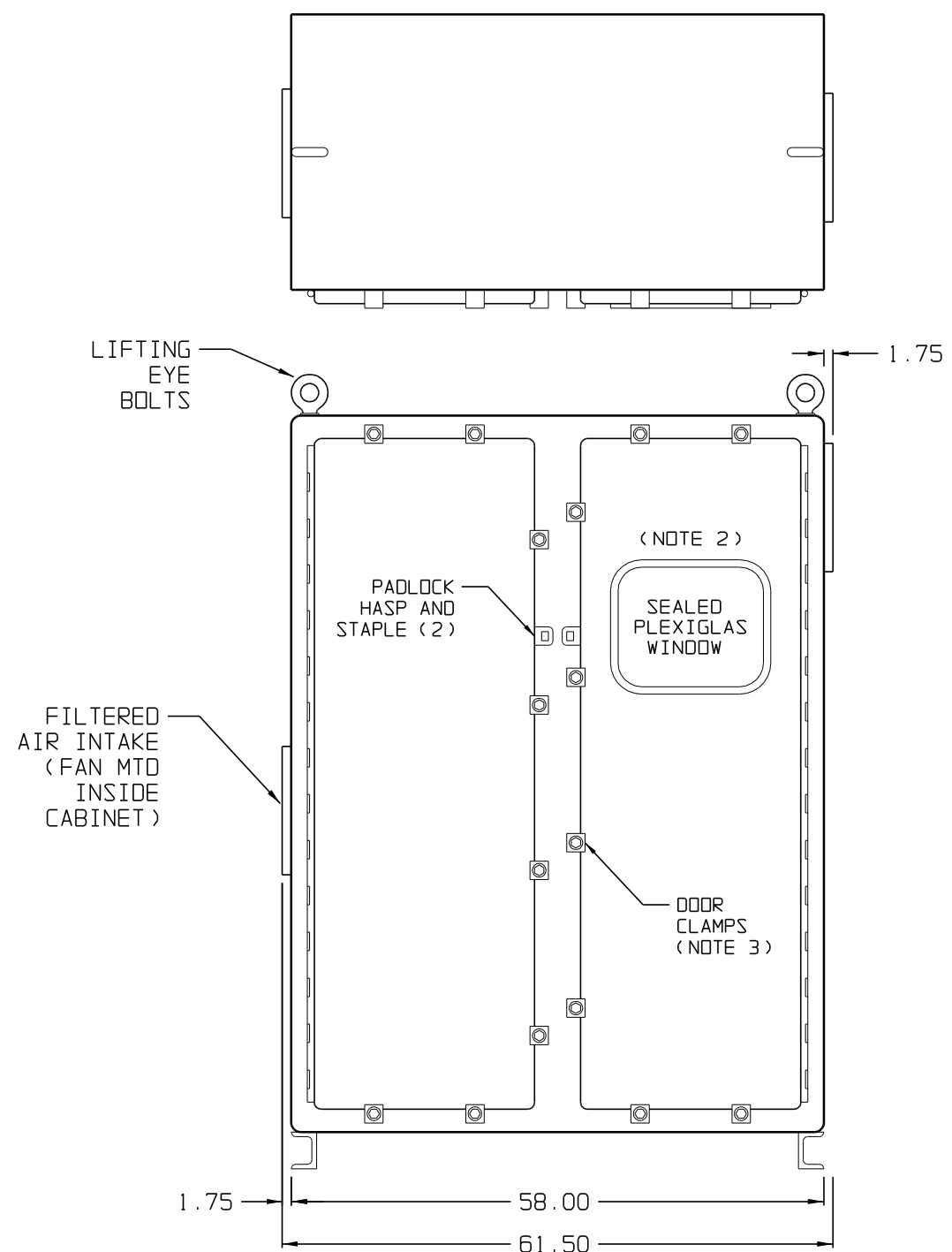


HOLE	DIA.	QTY.	APPLICATION
A	0.625	4	FLOOR MOUNTING

NEMA-4/12 ENCLOSURES FEATURE NO PROVISIONS FOR CONDUIT ENTRANCE. ENCLOSURE SHOULD BE FIELD-MODIFIED BY INSTALLER AS NEEDED FOR I/O.



NOTES:

- 1) BATTERY CHARGER SHIPPING WEIGHT: APPROXIMATELY: (see product literature)
- 2) PLEXIGLAS WINDOW PROVIDED TO VIEW INTERNAL INSTRUMENT PANEL.
- 3) ENCLOSURE IS A NEMA-4 TYPE STEEL GASKETED CABINET, FINISH IS ANSI-61 GRAY EPOXY POWDERCOAT.
- 4) ENCLOSURE IS FLOOR-MOUNTED AS SHOWN IN TABLE ABOVE.
- 5) ALLOW 12in OF FREE AIR ON SIDES OF CABINET FOR VENTILATION.

			THIRD ANGLE PROJECTION		1075 Saint John Street Easton, PA 18042-6661 PH 610-330-9000 FAX 610-330-8510 www.hindlepowerinc.com	
			DRAWN BY MCR 040308		TITLE AT30 BATTERY CHARGER OUTLINE: NEMA-4/12 STYLE-5046 VENTED ENCLOSURE	
			ELECTRONIC APPROVAL SIGNATURES MAINTAINED BY MFG ECN LOG		DRAWING No JE5199-00 REV A B	
A	N/A	040308	UNLESS OTHERWISE NOTED DIMENSIONS ARE IN INCHES. TOLERANCES ARE:		SCALE NTS PART No JE5199-00 SHEET 1 OF 1	
REV	ECN No	DATE				