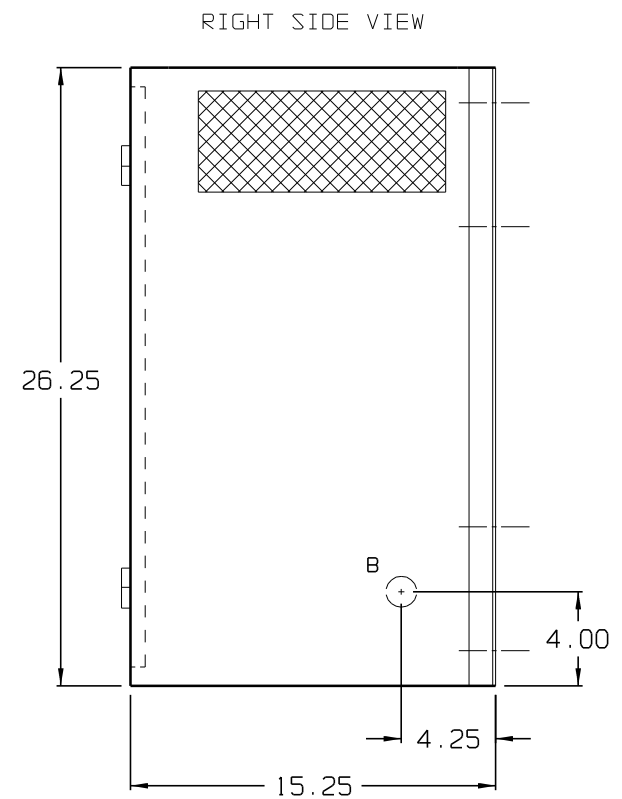
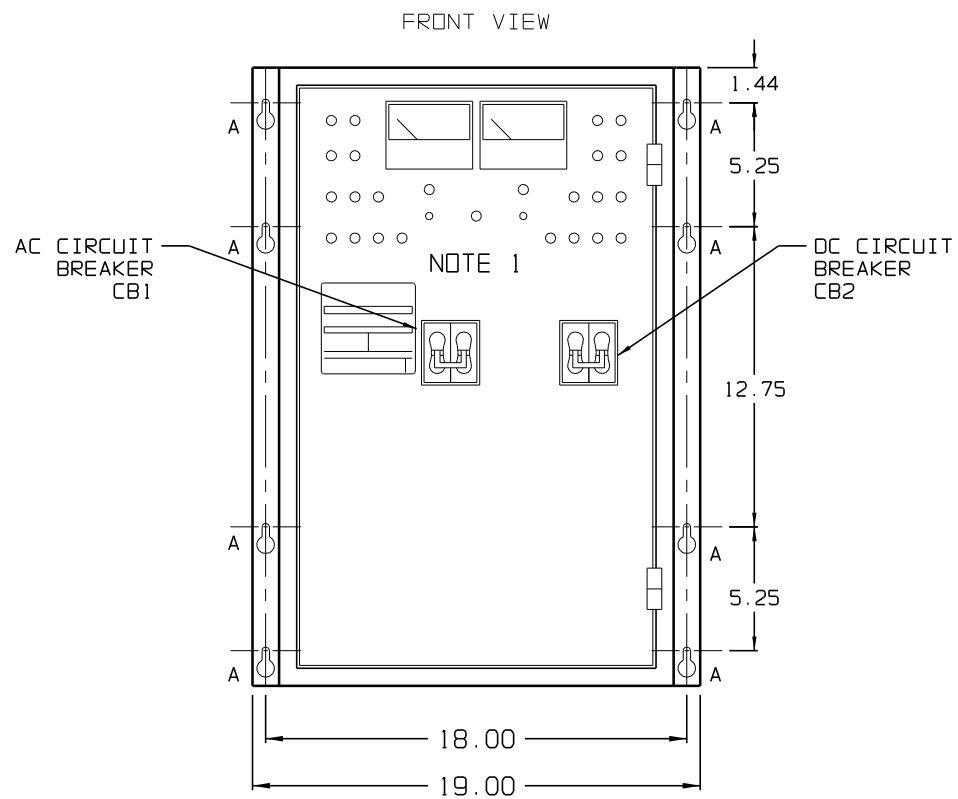
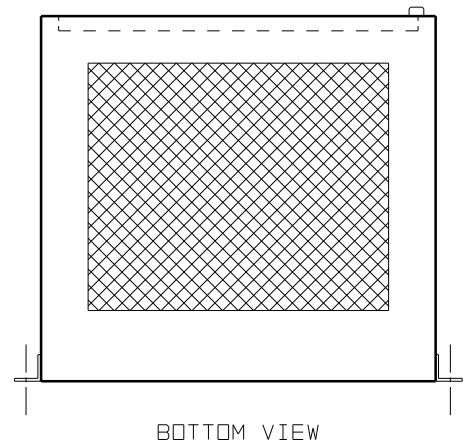


HOLE	DIA.	QTY.	APPLICATION
A	SLOT	8	WALL MOUNTING KEYSLOT HOLE (0.75in CLEAR) FOR 0.25in HARDWARE MOUNTING
B	1.313	2	PRE-FAB CONDUIT KNOCKOUT FOR 1in CABLE (BOTH SIDES)

STANDARD PRE-FAB CONDUIT KNOCKOUTS ARE SHOWN. IF ADDITIONAL CONDUIT ENTRANCES ARE REQUIRED BY USER, ENCLOSURE SHOULD BE FIELD-MODIFIED BY INSTALLER.



- NOTES:
- 1) DETAIL VIEW OF INSTRUMENT PANEL IS FEATURED ON DRAWING JE0260-XX.
 - 2) BATTERY CHARGER SHIPPING WEIGHT: APPROXIMATELY (120-250) lbs.
 - 3) ENCLOSURE IS A NEMA-1 TYPE CABINET WITHOUT GASKETS.
 - 4) ALLOW 12in (305mm) OF FREE AIR ON TOP AND BOTTOM OF CABINET FOR VENTILATION.



3	E1385	102403		THIRD ANGLE PROJECTION	 1075 Saint John Street Easton, PA 18042-6661 PH 610-330-9000 FAX 610-330-8510 www.hindlepowerinc.com
2	E1150	022603	MCT		
1	E0511	072401	MCT	APPROVED WAH 051194	TITLE SCR/SCRF SERIES BATTERY CHARGER OUTLINE: NEMA-1 STYLE-1B ENCLOSURE
0	11001	051194	WAH	UNLESS OTHERWISE NOTED DIMENSIONS ARE IN INCHES. TOLERANCES ARE:	DRAWING No JE0461-01 REV 3 B
REV	ECN No	DATE	APP		SCALE NTS PART No JE0461-01 SHEET 1 OF 1