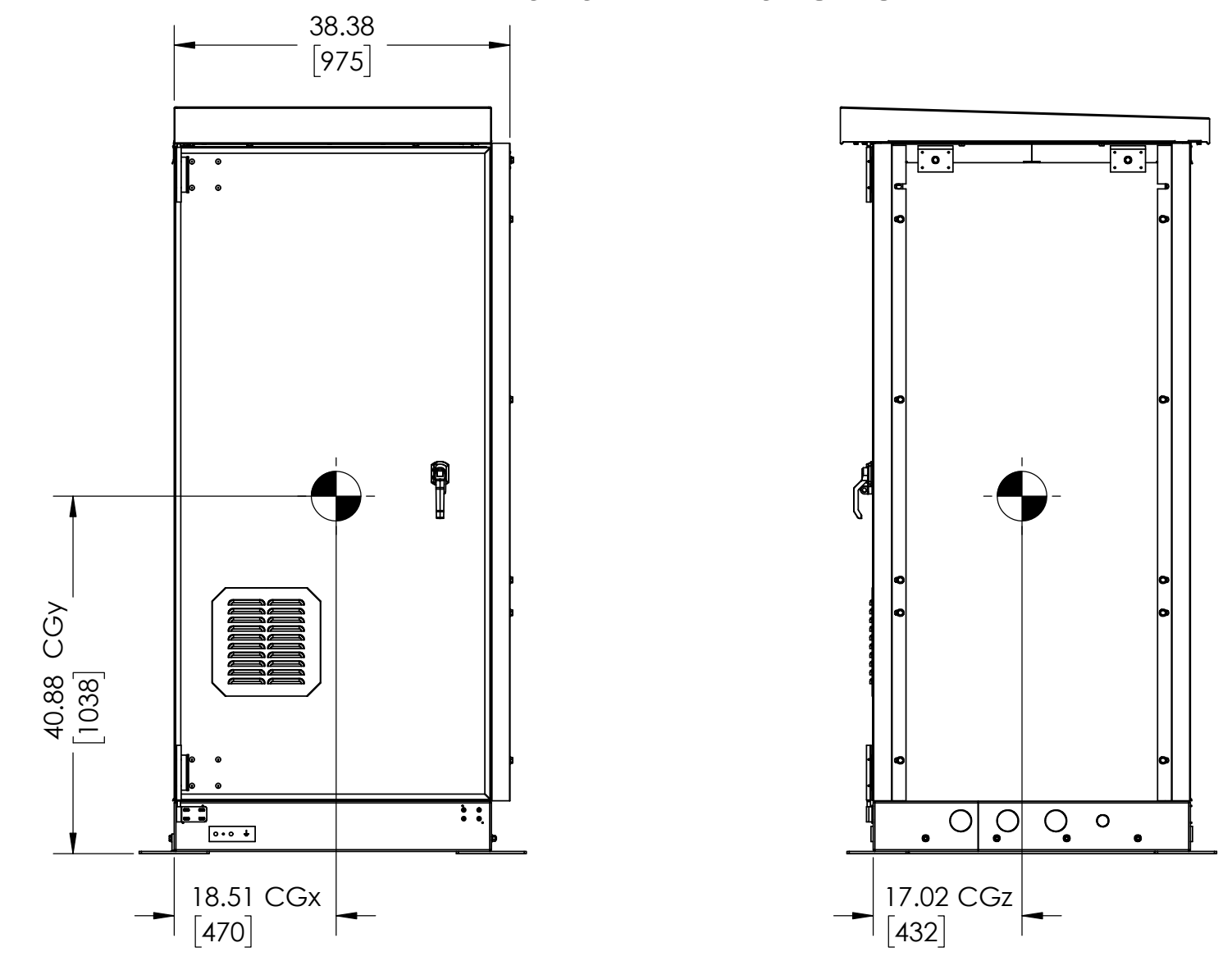
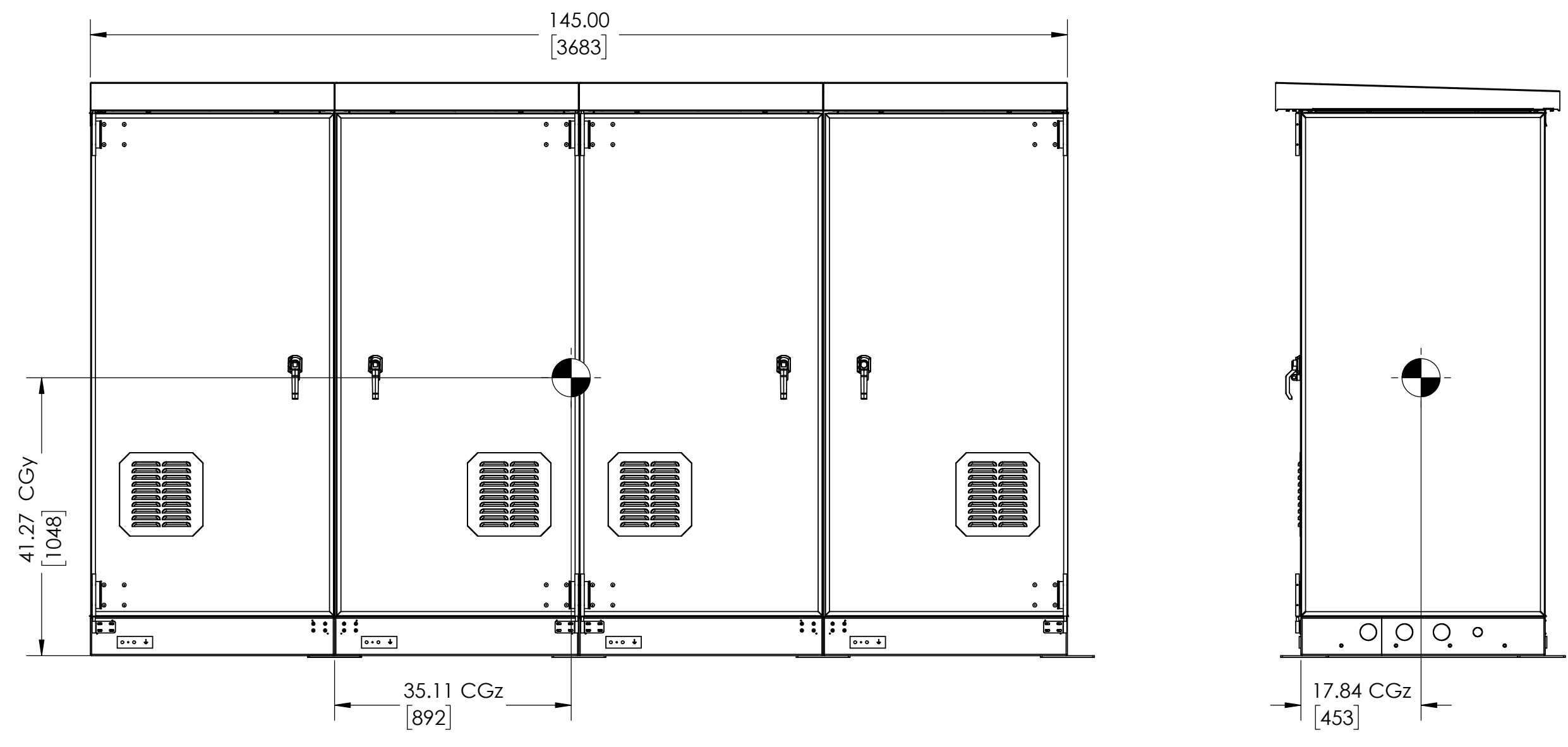


FIRST SHIPPED SECTION



SECOND SHIPPED SECTION



- DESIGN NOTES:**
- ENCLOSURE IS A NEMA-3R TYPE CABINET WITH GASKETING AND FOAM INJECTED PANELING. FINISH IS ANSI 61 GREY POWDERCOAT.
 - HINGES MADE OF STAINLESS STEEL GRADE 316
 - CONDUIT ENTRY PROVIDED ON SIDE OF BASE, (3) #2 AND (1) #1 SIZE CONDUIT HOLES AVAILABLE FOR KNOCKOUT. CONDUIT ACCESS ALSO AVAILABLE FROM UNDERNEATH CABINET. SEE FOUNDATION DRAWINGS (JE5276-05A) FOR KNOCKOUT LOCATIONS.
 - LOCATE UNIT ONTO A PERMANENT, FLAT, AND LEVELED SURFACE, PREFERABLY CONCRETE OR OTHER FIREPROOF MATERIAL. SURFACE MUST BE CAPABLE OF SUPPORTING WEIGHT OF COMPLETE SYSTEM AND INSTALLED COMPONENTS. SEE FOUNDATION DRAWING (JE5276-05A) FOR LOADING INFORMATION.
 - VENTILATION AND THERMAL MANAGEMENT OF BATTERIES PER IEEE 1635. SEISMIC CERTIFICATION AVAILABLE. CONSULT FACTORY FOR DETAILS.
 - THE WEIGHT OF THE CONSOLE WITHOUT BATTERIES IS 1932lb [876kg]. THE WEIGHT OF THE FIRST SHIPPED SECTION IS 1454lb [659kg], AND THE SECOND SHIPPED SECTION IS 1293lb [586kg].
 - FOR LIFTING, USE PROVIDED STRAPPING SYSTEM.

REV.	DATE	DESCRIPTION	DWN BY	CHK BY	APP BY
A	6/10/2020	STANDARD DRAWINGS	KJB	ND	ND
REVISIONS					

C:\Hindle Vault\Custom Drawings\CONSOLES 2.1\2.1.5.5C

UNLESS OTHERWISE SPECIFIED ALL DIMENSIONS FOLLOW THE AND SYSTEMS (INCHES-FRACTIONS & DECIMALS) TOLERANCES ARE: FRAC: 1/16" DEC: 0.010" MIN & 0.015" MAX

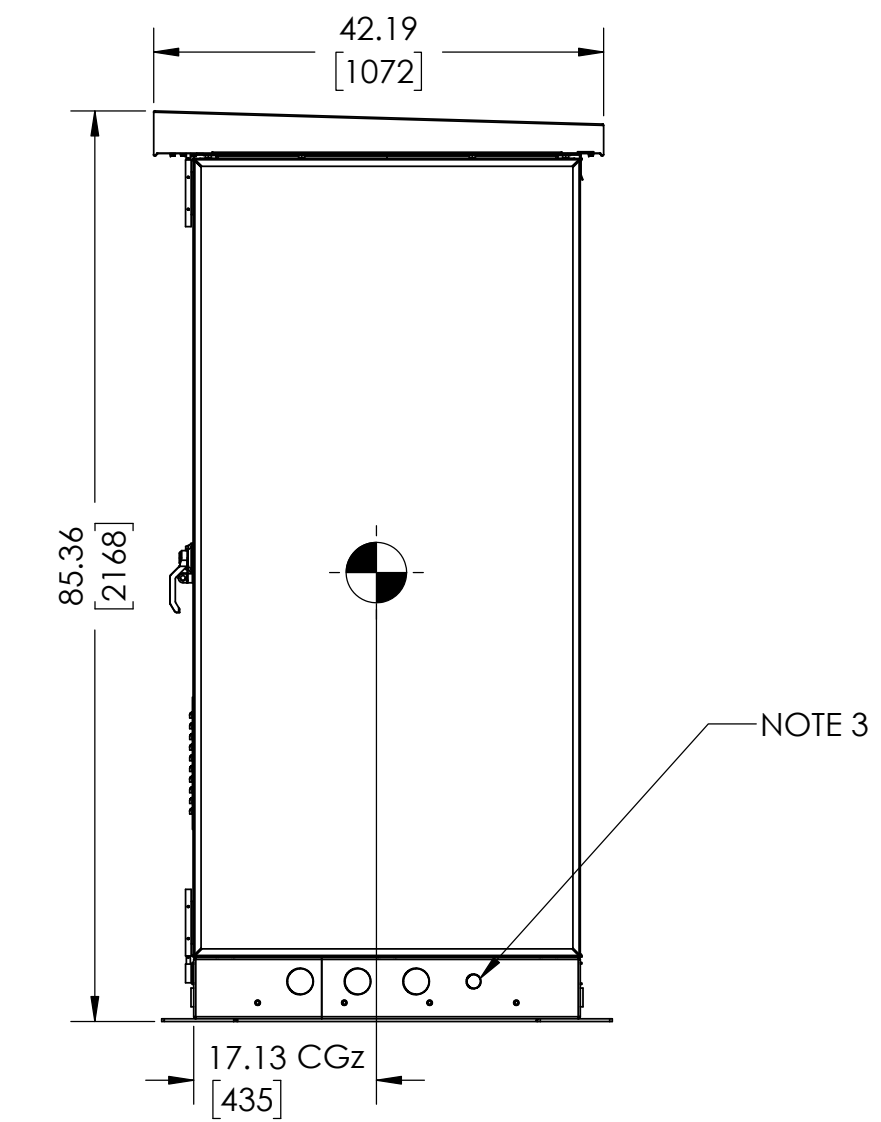
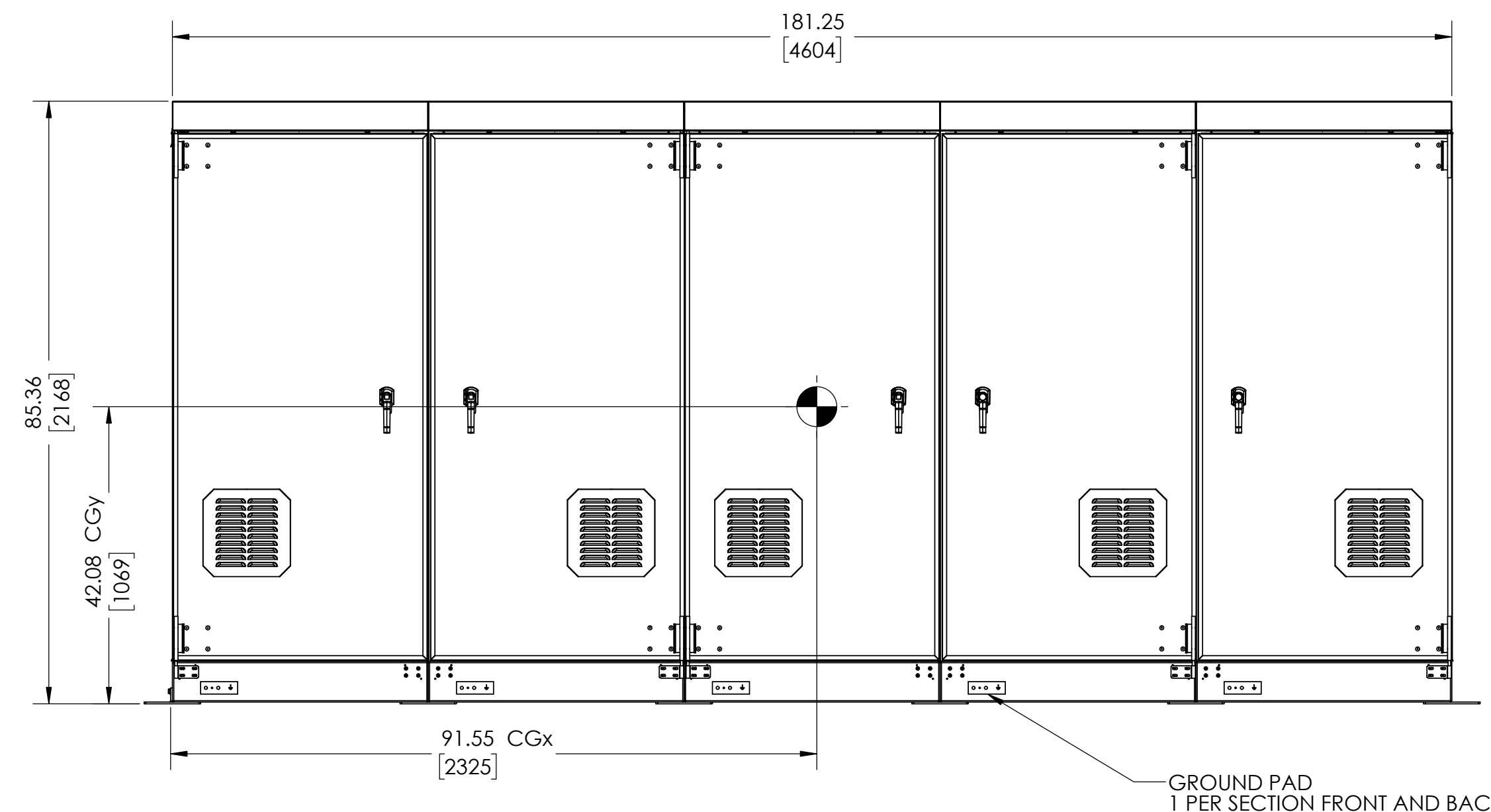
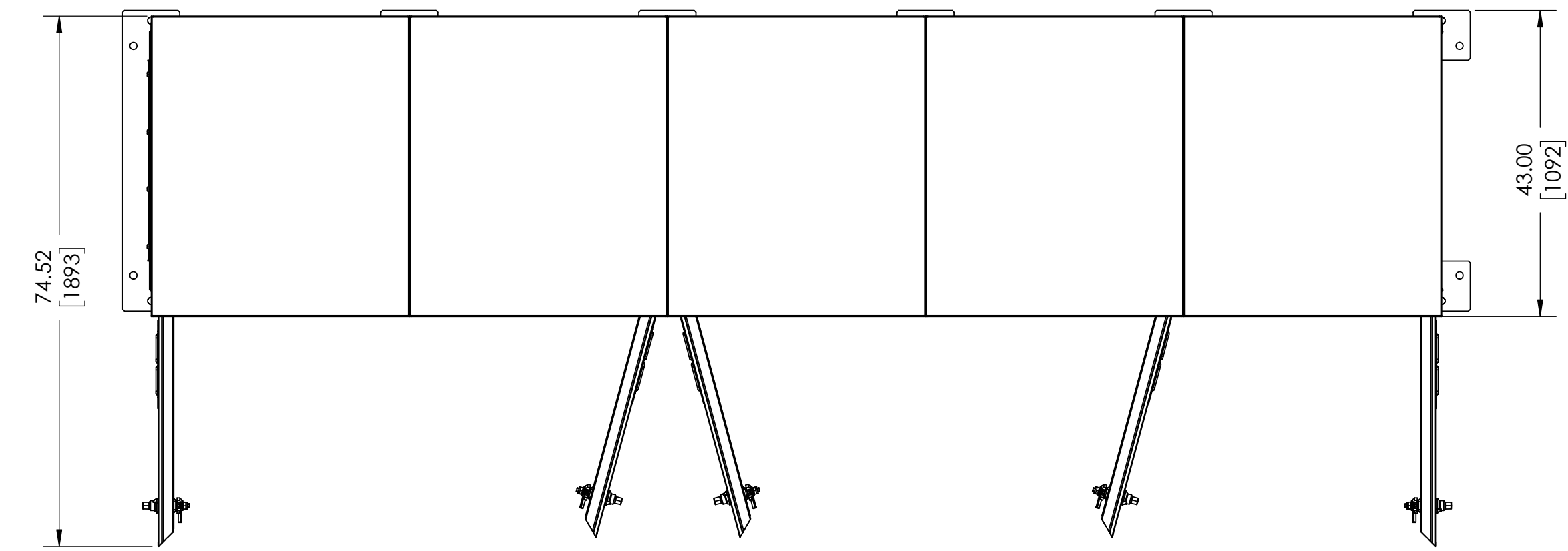
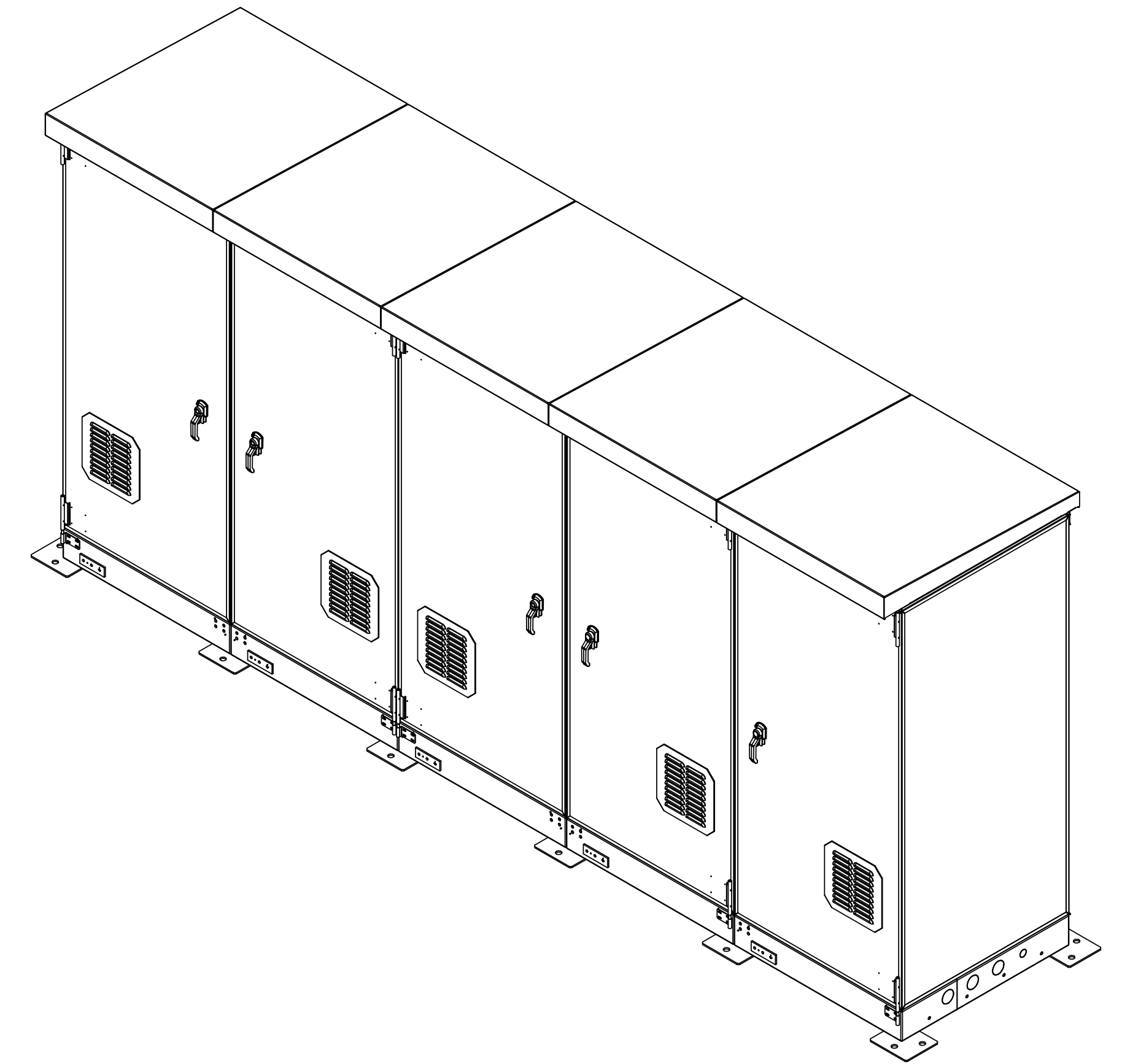
PROPERTY AND CONFIDENTIAL NOTICE ANY REPRODUCTION, PARTIAL OR AS A WHOLE OF THIS DOCUMENT WITHOUT THE WRITTEN PERMISSION OF HINDLE POWER, INC. IS STRICTLY PROHIBITED.

HINDLEPOWER

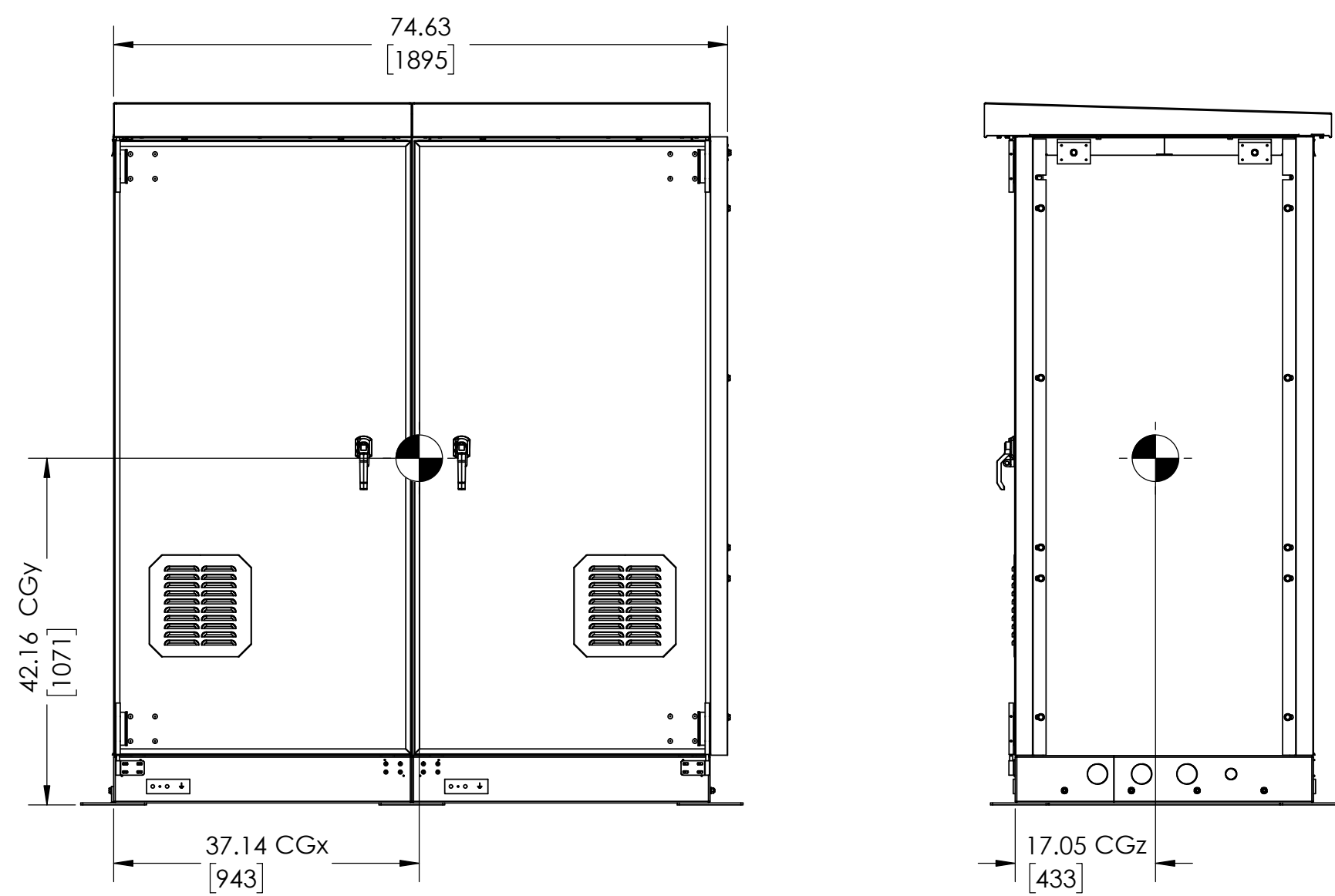
EPIC SERIES 2.0 CONSOLE
OUTLINE: NEMA 3R STYLE 5063 ENCL
QUOTE No. N/A

TITLE: EPIC SERIES 2.0 CONSOLE
OUTLINE: NEMA 3R STYLE 5063 ENCL
QUOTE No. N/A

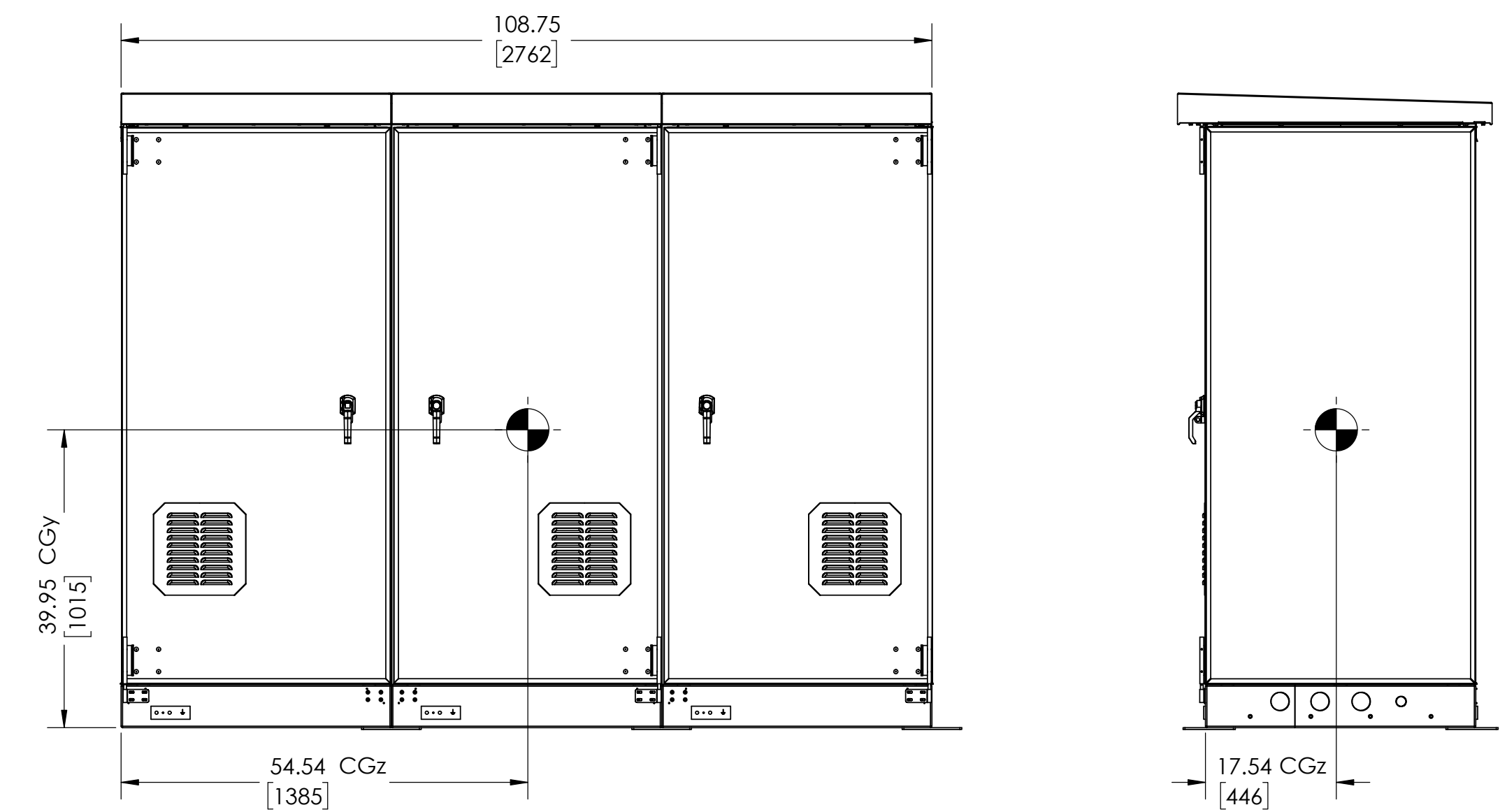
SCALE: 1:18 DWG No. **JE5269-05A** REV. A SHEET 1 OF 3



FIRST SHIPPED SECTION



SECOND SHIPPED SECTION



- DESIGN NOTES:
- ENCLOSURE IS A NEMA-3R TYPE CABINET WITH GASKETING AND FOAM INJECTED PANELING. FINISH IS ANSI 61 GREY POWDERCOAT.
 - HINGES MADE OF STAINLESS STEEL GRADE 316
 - CONDUIT ENTRY PROVIDED ON SIDE OF BASE, (3) #2 AND (1) #1 SIZE CONDUIT HOLES AVAILABLE FOR KNOCKOUT. CONDUIT ACCESS ALSO AVAILABLE FROM UNDERNEATH CABINET. SEE FOUNDATION DRAWINGS (JES276-05B) FOR KNOCKOUT LOCATIONS.
 - LOCATE UNIT ONTO A PERMANENT, FLAT, AND LEVELED SURFACE, PREFERABLY CONCRETE OR OTHER FIREPROOF MATERIAL. SURFACE MUST BE CAPABLE OF SUPPORTING WEIGHT OF COMPLETE SYSTEM AND INSTALLED COMPONENTS. SEE FOUNDATION DRAWING (JES276-05B) FOR LOADING INFORMATION.
 - VENTILATION AND THERMAL MANAGEMENT OF BATTERIES PER IEEE 1635. SEISMIC CERTIFICATION AVAILABLE. CONSULT FACTORY FOR DETAILS.
 - THE WEIGHT OF THE CONSOLE WITHOUT BATTERIES IS 1887lb [856kg]. THE WEIGHT OF THE FIRST SHIPPED SECTION IS 1454lb [659kg], AND THE SECOND SHIPPED SECTION IS 1293lb [586kg].
 - FOR LIFTING, USE PROVIDED STRAPPING SYSTEM.

C:\Hindle Vault\Custom Drawings\CONSOLES 2.1\2.1.5 SEC 2 ELEC.

<small>UNLESS OTHERWISE SPECIFIED ALL DIMENSIONS FOLLOW THE AND SYSTEMS' (INCHES-FRACTIONS & DECIMALS) TOLERANCES ARE: FRAC: 1/16" DEC: 0.010" MIN 0.005"</small>		
	EPIC SERIES 2.0 CONSOLE OUTLINE: NEMA 3R STYLE 5063 ENCL SALES ORDER No. N/A	
<small>PROPERTY AND CONFIDENTIAL NOTICE ANY REPRODUCTION, PARTIAL OR AS A WHOLE OF THIS DOCUMENT WITHOUT THE WRITTEN PERMISSION OF HINDLE POWER, INC. IS STRICTLY PROHIBITED.</small>	TITLE:	SCALE: 1:18
REVISIONS	DWN BY: KJB CHK BY: ND APP BY: ND	DRAWING No: JE5269-05B
REV. A	DATE: 6/10/2020	SHEET: 1 OF 3

REV.	DATE	DESCRIPTION	DWN BY	CHK BY	APP BY
A	6/10/2020	STANDARD DRAWINGS	KJB	ND	ND