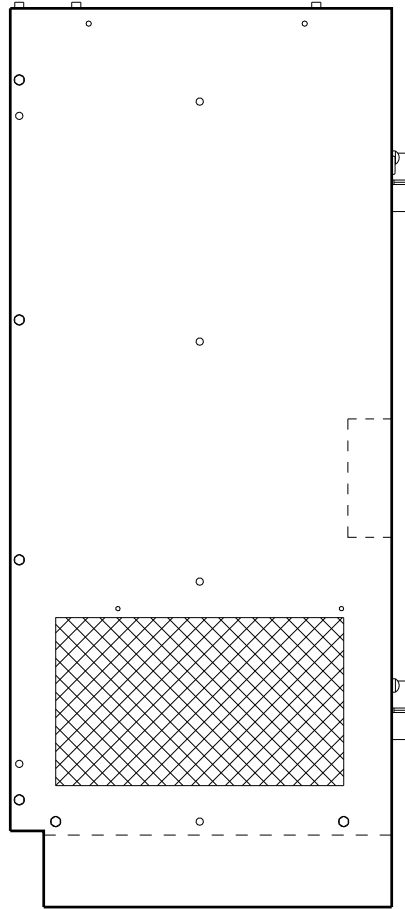
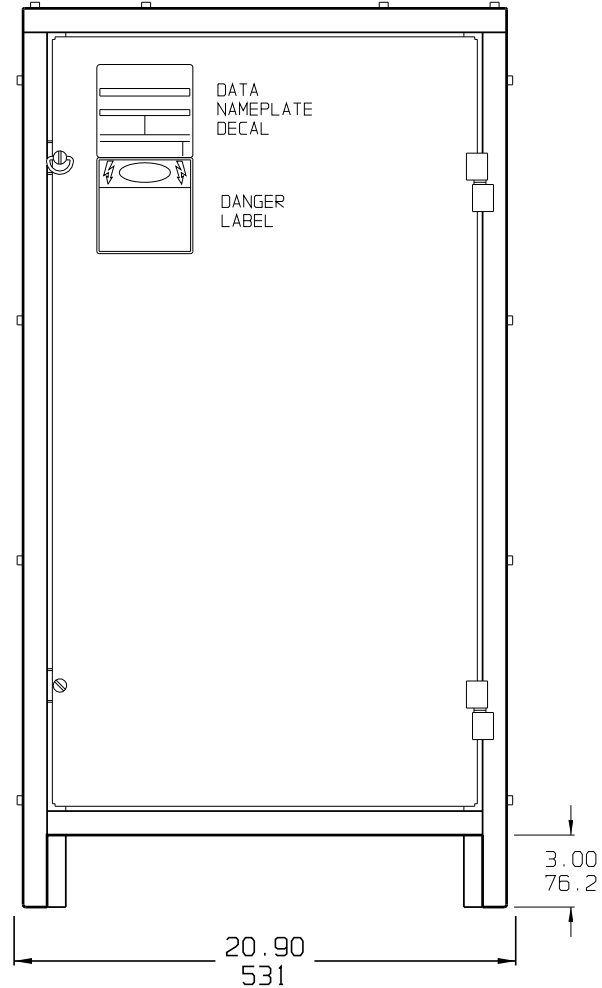


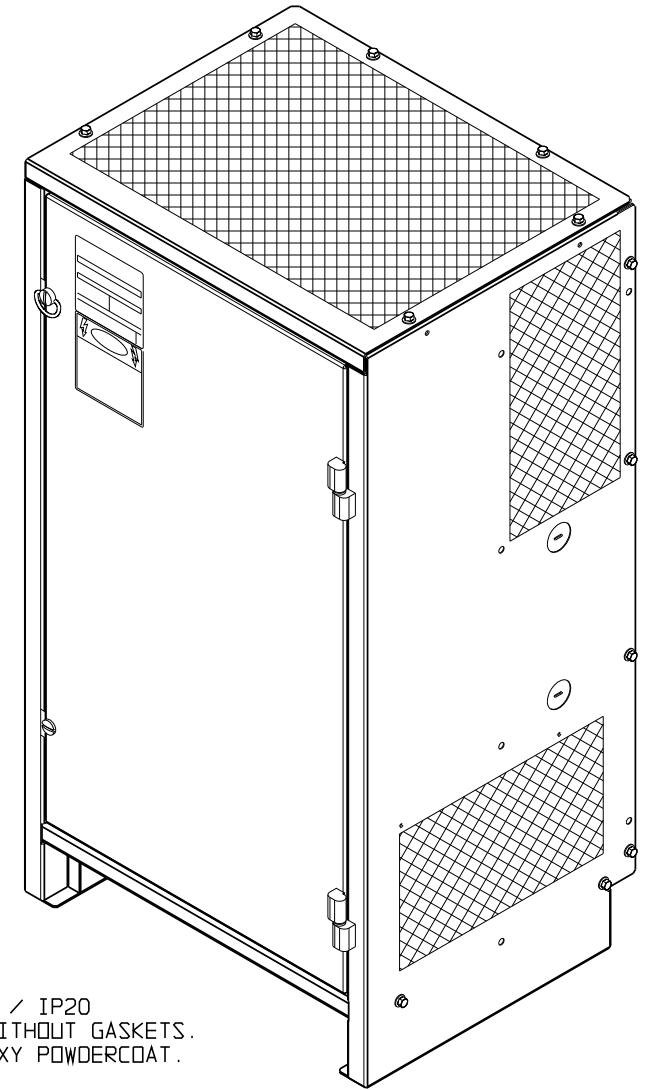
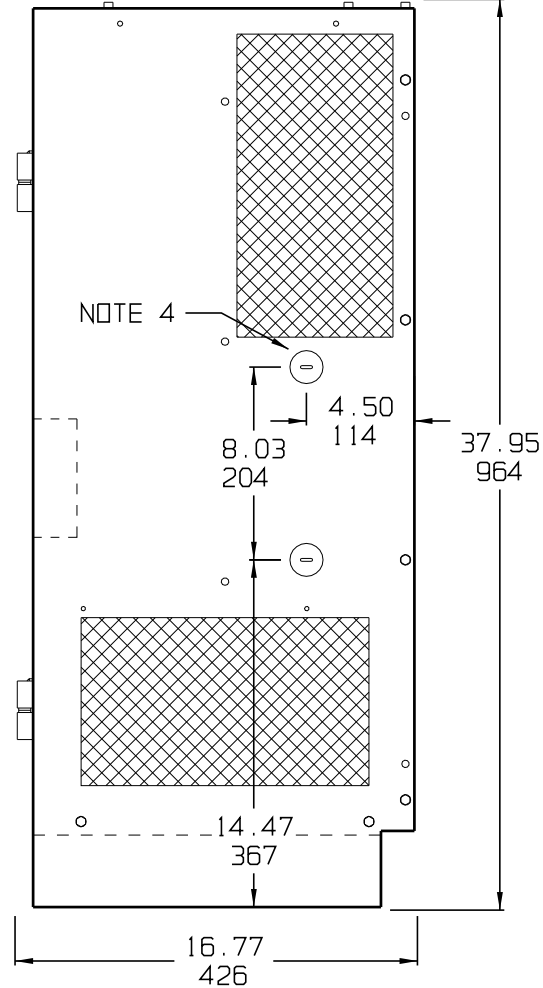
SIDE VIEW



FRONT VIEW



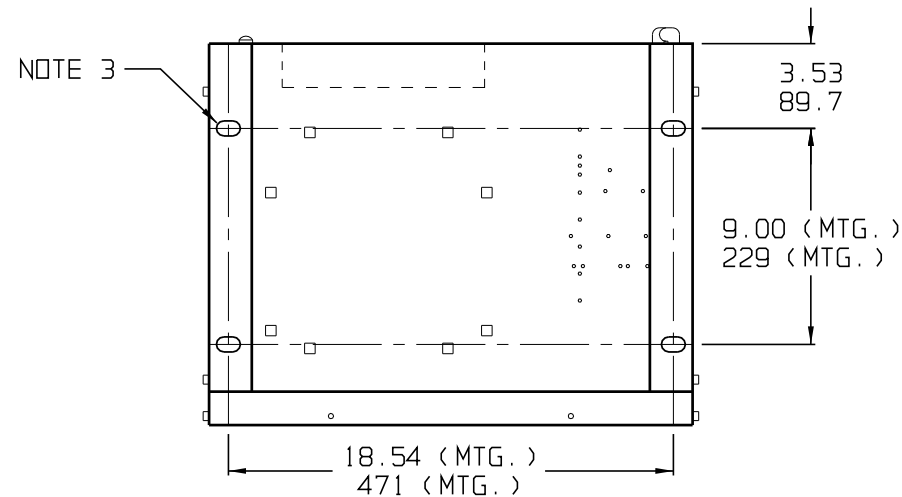
SIDE VIEW



NOTES:

- 1) ENCLOSURE IS A NEMA TYPE 1 / IP20 TOP-VENTED STEEL CABINET WITHOUT GASKETS. FINISH IS ANSI-61 GRAY EPOXY POWDERCOAT.
 - 2) ALLOW 6in / 152mm OF FREE AIR ON ALL VENTED SURFACES (TOP, SIDES & REAR) FOR COOLING.
 - 3) FOUR (4) 1in x 0.625in / 25mm x 16mm FLOOR-MOUNTING SLOTS ARE PROVIDED ON BOTTOM OF ENCLOSURE AS SHOWN.
 - 4) TWO (2) 1.31in / 33mm DIA STANDARD PRE-FAB KEY-SLOT KNOCKOUTS ARE PROVIDED AS SHOWN FOR 1in / 25mm CONDUIT ENTRY. IF ADDITIONAL CONDUIT ENTRANCES ARE REQUIRED, ENCLOSURE SHOULD BE FIELD-MODIFIED BY INSTALLER.
 - 5) STEERING DIODE ASSEMBLY SHIPPING WEIGHT: APPROXIMATELY 165 lb / 75 kg
- FUNCTION:
- A) STEERING DIODES LINK TWO (2) BATTERY CHARGER DC OUTPUT BUSES TO COMMON LOAD WITHOUT LINKING BATTERY BANKS TOGETHER. SEE INSTRUCTIONS (JA5065-00).

BOTTOM VIEW



PART No.	VOLTAGE RATING	CURRENT RATING
EJ5144-12	250 VDC	750 ADC
EJ5144-12	600 VDC	750 ADC

DUAL DIMENSIONS in mm

2	27441	021720	 THIRD ANGLE PROJECTION	TITLE BEST BATTERY SELECTOR OUTLINE: NEMA-1 STYLE-5018 ENCLOSURE (750A)	
1	N/A	N/A			
0	N/A	N/A	DRAWN BY MCR 021720	DRAWING No JE5138-04	
B	N/A	N/A	ELECTRONIC APPROVAL SIGNATURES MAINTAINED BY MFG ECN LOG	REV 2A	B
A	N/A	N/A	UNLESS OTHERWISE NOTED DIMENSIONS ARE IN INCHES. TOLERANCES ARE:	SCALE NTS	
REV	ECN No	DATE	PART No JE5138-04		SHEET 1 OF 1