

FOR CHARGERS AT 25-50ADC

- NOTES:
1. WHEN NATURAL LEADS OF MAGNETICS ARE NOT USED, CHARGER COMPONENTS ARE CONNECTED WITH BLACK FLAME-RETARDANT SWITCHBOARD INSULATION SYSTEM (SIS) TYPE WIRING, IDENTIFIED ON EACH END WITH NUMBER-CODED MARKERS. GROUND WIRES ARE GREEN WITH YELLOW STRIPE.
 2. CHARGER COMPONENTS ARE CONNECTED WITH BLACK FLAME-RETARDANT SWITCHBOARD INSULATION SYSTEM TO CONTROL PC BOARDS (A1 & A2). SEE SHEET 2 FOR ALL CONTROL (SIGNAL) WIRING, INCLUDING REMOTE SENSE MODIFICATIONS, IF APPLICABLE.
 3. STANDARD USER ALARM CONTACTS (TB6 [A1], TB1[A2], TB8[A2], etc.) ARE SOLDERLESS COMPRESSION SCREW TERMINALS, ACCEPTING #22-14 AWG WIRE.
 4. FOR MOUNTING OF PC BOARDS (A1, A2, ect.) SEE JE5339-00.

- FEATURED OPTIONS:
- STD DC OUTPUT FILTERING
 - BATTERY ELIMINATOR FILTER CAP
 - AC INPUT CIRCUIT BREAKER
 - DC OUTPUT CIRCUIT BREAKER
 - AUXILIARY ALARM RELAY PC BOARD
 - AC INPUT LIGHTNING ARRESTOR

REV. 0	DRN BY KJB	CHK BY MCR	APP BY MCR	DATE DATE/0000	DRN BY KJB	DATE DATE/0000
DESCRIPTION				CHK BY MCR	DATE DATE/0000	
STANDARD DRAWINGS.				APP BY MCR	DATE DATE/0000	

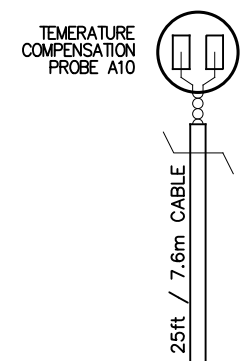
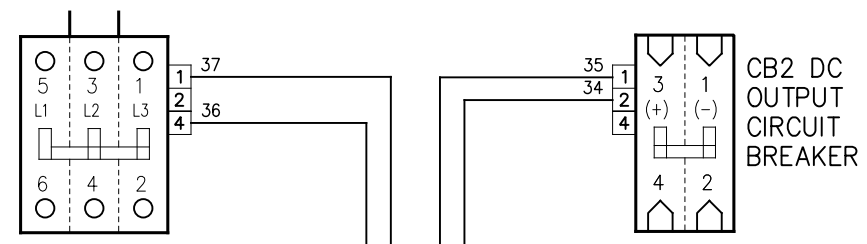
1075 Saint John Street
Easton, PA 18042-6661
PH 610-330-9000 FAX 610-330-8510
www.hindlepowerinc.com

HINDLEPOWER

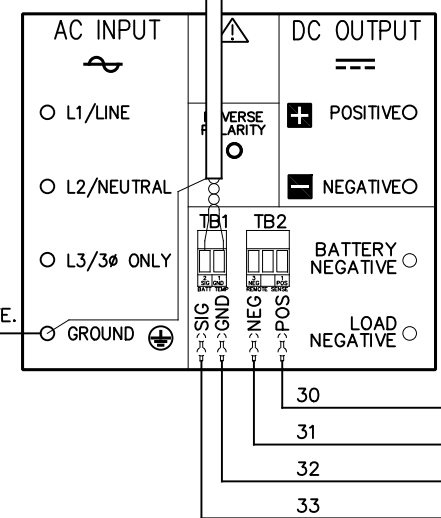
ATEVO BATTERY CHARGER
CONN DIAGRAM: 3Ø STYLE 5070 25-100ADC

B SCALE NTS DWG No JE5335-99 REV 0 SHEET 1 OF 4

FOR CHARGERS AT 25-50ADC

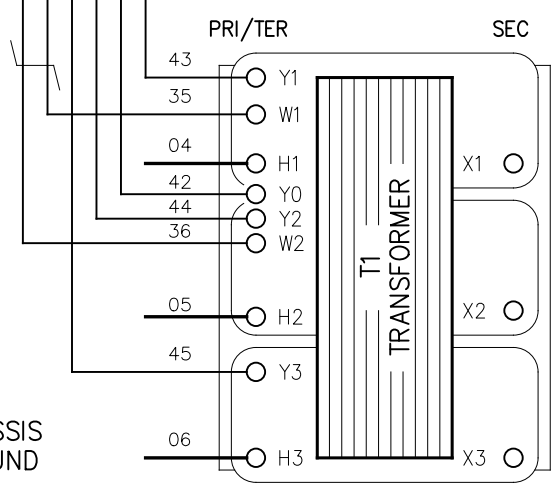


I/O & MOV BOARD A9



DOOR GROUND

CHASSIS GROUND



CB2 DC OUTPUT CIRCUIT BREAKER

THREE PHASE POWER BOARD (A2)

MAIN CONTROL PC BOARD (A1)

NOTES:

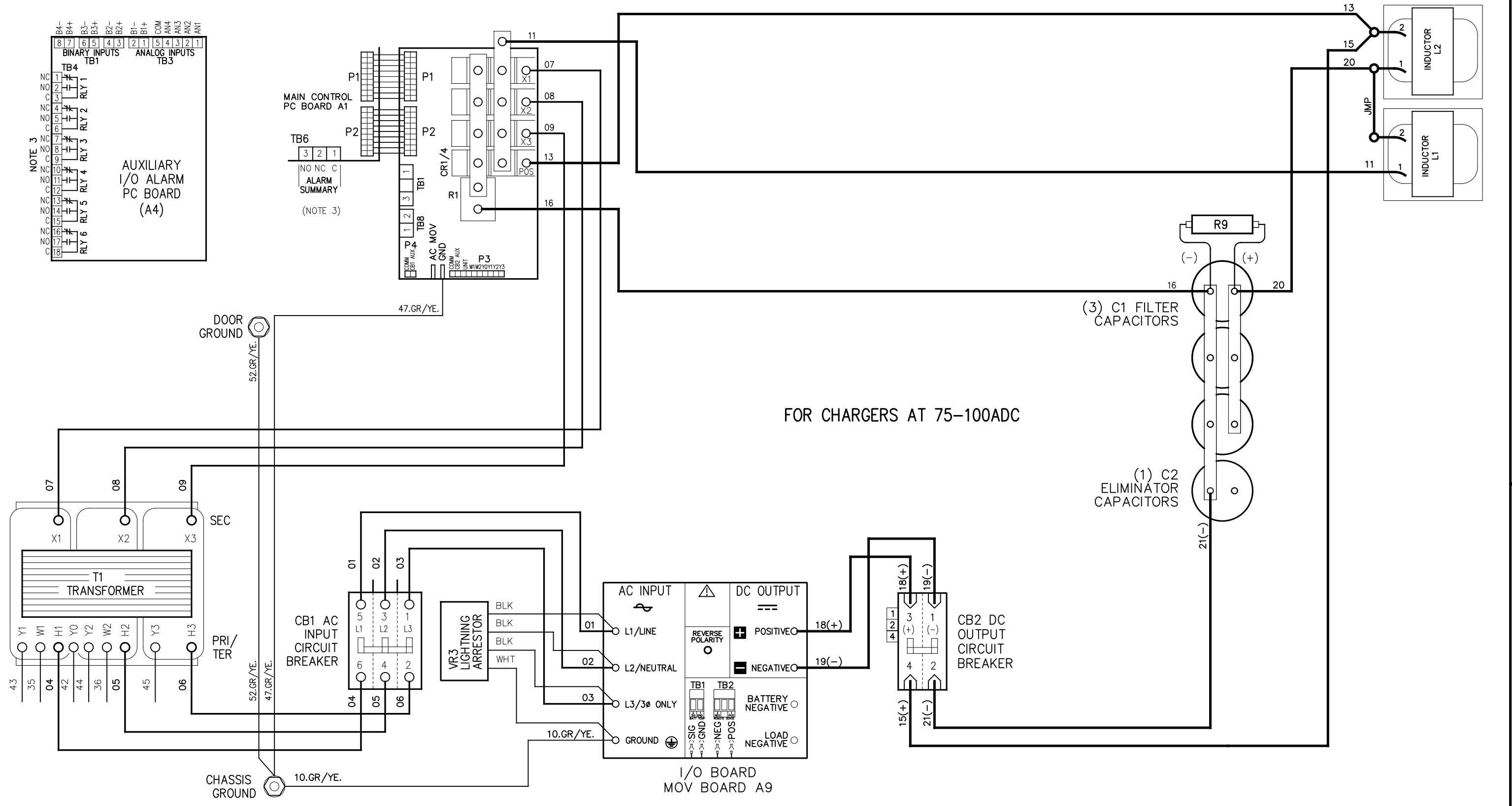
1. WIRE MARKING AND IDENTIFICATION SYSTEM (WIMS) OR IDENTIFICATION SYSTEM (IS) IS TO BE USED TO IDENTIFY WIRING. WIRE COLOR AND IDENTIFICATION SYSTEM (WIMS) OR IDENTIFICATION SYSTEM (IS) IS TO BE USED TO IDENTIFY WIRING. WIRE COLOR AND IDENTIFICATION SYSTEM (WIMS) OR IDENTIFICATION SYSTEM (IS) IS TO BE USED TO IDENTIFY WIRING.
2. CHARGER COMPONENTS ARE CONNECTED WITH BLACK FLAME-RETARDANT SWITCHBOARD INSULATION SYSTEM TO CONTROL PC BOARDS (A1 & A2). SEE SHEET 2 FOR ALL CONTROL (SIGNAL) WIRING, INCLUDING REMOTE SENSE MODIFICATIONS, IF APPLICABLE.
3. STANDARD USER ALARM CONTACTS (TB6 [A1], TB1[A2], TB8[A2], etc.) ARE SOLDERLESS COMPRESSION SCREW TERMINALS, ACCEPTING #22-14 AWG WIRE.
4. FOR MOUNTING OF PC BOARDS (A1, A2, ect.) SEE JE5339-00.

DRN BY KJB	DATE: DATE/0000
CHK BY MCR	DATE: DATE/0000
APP BY MCR	DATE: DATE/0000

HINDLE POWER
1075 Saint John Street
Easton, PA 18042-6661
PH 610-330-9000 FAX 610-330-8510
www.hindlepowerinc.com

TITLE
**ATEVO BATTERY CHARGER
CONN DIAGRAM: 3Ø STYLE 5070 25-100ADC**

	B	SCALE	DWG No	REV	SHEET
		NTS	JE5335-99	0	2 OF 4



FOR CHARGERS AT 75-100ADC

- NOTES:
1. WHEN NATURAL LEADS OF MAGNETICS ARE NOT USED, CHARGER COMPONENTS ARE CONNECTED WITH BLACK FLAME-RETARDANT SWITCHBOARD INSULATION SYSTEM (SIS) TYPE WIRING, IDENTIFIED ON EACH END WITH NUMBER-CODED MARKERS. GROUND WIRES ARE GREEN WITH YELLOW STRIPE.
 2. CHARGER COMPONENTS ARE CONNECTED WITH BLACK FLAME-RETARDANT SWITCHBOARD INSULATION SYSTEM TO CONTROL PC BOARDS (A1 & A2). SEE SHEET 2 FOR ALL CONTROL (SIGNAL) WIRING, INCLUDING REMOTE SENSE MODIFICATIONS, IF APPLICABLE.
 3. STANDARD USER ALARM CONTACTS (TB6 [A1], TB1[A2], TB8[A2], etc.) ARE SOLDERLESS COMPRESSION SCREW TERMINALS, ACCEPTING #22-14 AWG WIRE.
 4. FOR MOUNTING OF PC BOARDS (A1, A2, ect.) SEE JE5339-00.

- FEATURED OPTIONS:
- STD DC OUTPUT FILTERING
 - BATTERY ELIMINATOR FILTER CAP
 - AC INPUT CIRCUIT BREAKER
 - DC OUTPUT CIRCUIT BREAKER
 - AUXILIARY ALARM RELAY PC BOARD
 - AC INPUT LIGHTNING ARRESTOR

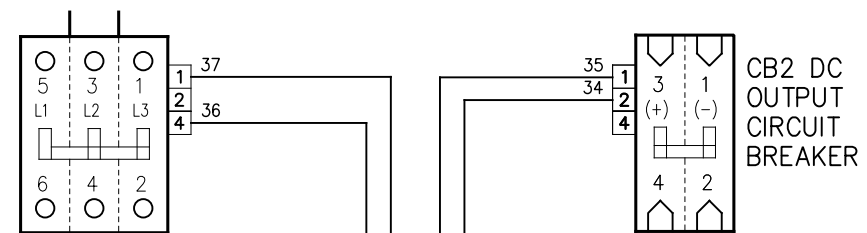
REV. 0	DRN BY KJB	CHK BY MCR	APP BY MCR	DATE DATE/0000	DRN BY KJB	DATE DATE/0000
DESCRIPTION				STANDARD DRAWINGS.	CHK BY MCR	DATE DATE/0000
				APP BY MCR	DATE DATE/0000	

1075 Saint John Street
Easton, PA 18042-6661
PH 610-330-9000 FAX 610-330-8510
www.hindlepowerinc.com

HINDLEPOWER

ATEVO BATTERY CHARGER
CONN DIAGRAM: 3 ϕ STYLE 5070 25-100ADC

B SCALE NTS DWG No JE5335-99 REV 0 SHEET 3 OF 4

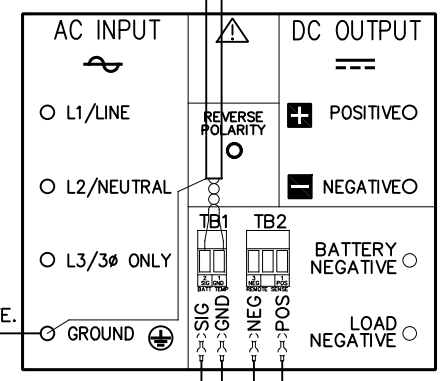


FOR CHARGERS AT 75-100ADC



25ft / 7.6m CABLE

I/O & MOV BOARD A9



10.GR./YE.

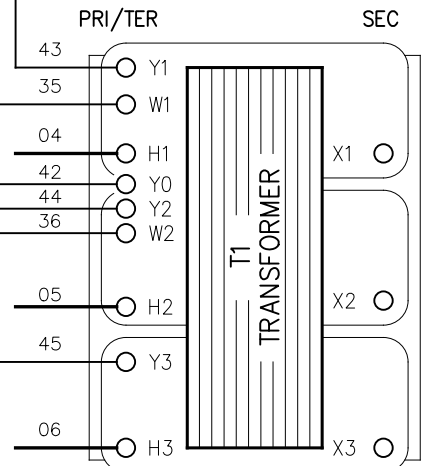
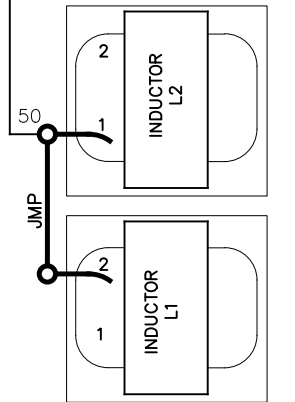
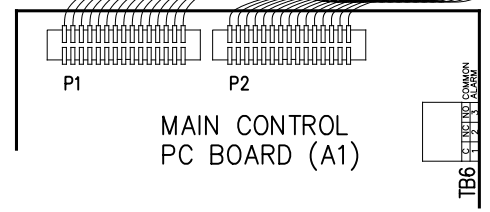
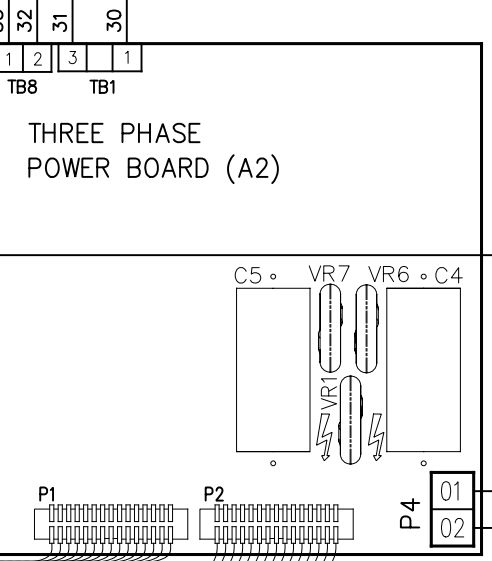
DOOR GROUND

47.GR./YE.

52.GR./YE.

CHASSIS GROUND

CB2 DC OUTPUT CIRCUIT BREAKER



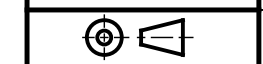
NOTES:

1. WIRE COLOR CODES FOR MOST OF THE WIRING ARE GIVEN IN THE CHARGE REPAIR MANUAL. CHARGER COMPONENTS ARE CONNECTED WITH THE BOARD AND SYSTEM WIRING AS SHOWN IN THE CHARGE REPAIR MANUAL. IDENTIFIED NUMBER CODES WITH THE WIRE COLOR MARKERS ARE: GREEN AND YELLOW STRIPE.
2. CHARGER COMPONENTS ARE CONNECTED WITH BLACK FLAME-RETARDANT SWITCHBOARD INSULATION SYSTEM TO CONTROL PC BOARDS (A1 & A2). SEE SHEET 2 FOR ALL CONTROL (SIGNAL) WIRING, INCLUDING REMOTE SENSE MODIFICATIONS, IF APPLICABLE.
3. STANDARD USER ALARM CONTACTS (TB6 [A1], TB1[A2], TB8[A2], etc.) ARE SOLDERLESS COMPRESSION SCREW TERMINALS, ACCEPTING #22-14 AWG WIRE.
4. FOR MOUNTING OF PC BOARDS (A1, A2, ect.) SEE JE5339-00.

DRN BY KJB	DATE DATE/0000
CHK BY MCR	DATE DATE/0000
APP BY MCR	DATE DATE/0000

HINDLE POWER
1075 Saint John Street
Easton, PA 18042-6661
PH 610-330-9000 FAX 610-330-8510
www.hindlepowerinc.com

TITLE
**ATEVO BATTERY CHARGER
CONN DIAGRAM: 3Ø STYLE 5070 25-100ADC**



B

SCALE NTS DWG No JE5335-99

REV 0 SHEET 4 OF 4