

SYM	STANDARD COMPONENT DESCRIPTION
A1	MAIN CONTROL PC BOARD
A15	THREE PHASE GATE DRIVE PC BOARD
A16	1x6 SCR (Q1-Q6) MODULE ASSY
A17x	SCR SNUBBER PC BOARD - QTY. (3)
C4	EMI OUTPUT FILTER CAP (NEG-GND)
C5	EMI OUTPUT FILTER CAP (POS-GND)
CB1	AC INPUT CIRCUIT BREAKER (CD3)
CB2	DC OUTPUT CIRCUIT BKR (KAL2)
CR4	FREE-WHEELING DIODE
L1	MAIN INDUCTOR
R1	MAIN DC SHUNT
R2	CURRENT RATING RESISTOR
R3x	EXT BALLAST RES (130VDC)
R28x	THERMOSTAT (S2x) SENSE RESISTOR
S2	SCR MODULE (A16) THERMOSTAT
T1	POWER ISOLATION TRANSFORMER
TB1	I/O TERMINAL BOARD
TB3	SUMMARY ALARM CONTACTS
TB8	TEMPCO PROBE TERMINAL BLOCK
VR1	OUTPUT SURGE SUPPRESSOR (+TO-)
VR2	INPUT SURGE SUPPRESSOR (LINE 1)
VR4	INPUT SURGE SUPPRESSOR (LINE 2)
VR5	INPUT SURGE SUPPRESSOR (LINE 3)
VR6	OUTPUT SURGE SUPPRESSOR (-)
VR7	OUTPUT SURGE SUPPRESSOR (+)

SYM	OPTIONAL COMPONENT DESCRIPTION
A5	AUXILIARY ALARM RELAY PC BOARD
A10	TEMPERATURE COMPENSATION PROBE
C1	DC OUTPUT FILTER CAPACITOR
C2	BATTERY ELIMINATOR CAPACITOR
CR1	POLARITY DIODE
E13	INDUCTOR INTER-CONNECT POINT
F1A-C	AC INPUT FUSES (NOTE 3)
F3	DC OUTPUT FUSE (+ LEG) - NOTE 3
F4	DC OUTPUT FUSE (- LEG) - NOTE 3
L2	FILTER INDUCTOR
R9	FILTER CAP (C1) BLEED RESISTOR
TB4	AUXILIARY ALARM RELAY CONTACTS
VR3	3PH AC INPUT LIGHTNING ARRESTOR

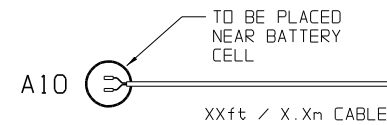
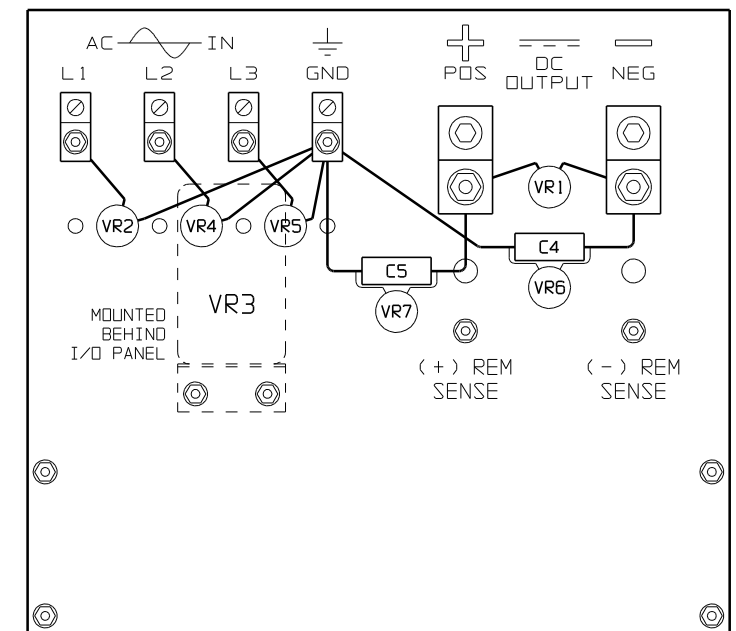
STANDARD DRAWING NOTES:

- A) ARRANGEMENT AND NUMBER OF COMPONENTS MAY DIFFER SLIGHTLY BASED UPON UNIT RATING AND FEATURED OPTIONS.
- B) SEE JE5163-00 FOR A16 DETAILS.
- C) FOR CERTAIN RATINGS, INCLUSION OF AC AND/OR DC FUSES IN STYLE-5030 ENCLOSURE MAY NECESSITATE UPGRADE TO LARGER CABINET STYLE.

NOTES:

- 1) FOR DETAIL VIEWS OF ALL PC BOARDS (A1, A5, A15, A17, etc.) SEE DRAWING JE5091-39.
- 2) I/O PANEL TERMINAL BOARD (TB1) NOT SHOWN FOR CLARITY OF VIEW. SEE DETAIL TO RIGHT.

I/O TERMINAL BOARD (TB1) DETAIL



I/O TERMINAL	DESCRIPTION - TYPE	CONNECTION
TB1(+/-)	POS/NEG OUTPUT TERMINALS - CU-ALUMINUM COMPRESSION LUG	#6 AWG-350 MCM
REM SENSE(+/-)	POS/NEG REMOTE SENSE TERMINALS - 1/4-20 ZPS STUDS	0.250 RING LUG
TB1-GND	GROUND TERMINAL - CU-ALUMINUM COMPRESSION LUG	#14-1/0 AWG
TB1-L1/L2/L3	AC INPUT TERMINALS - CU-ALUMINUM COMPRESSION LUG	#14-1/0 AWG
TB3	SUMMARY ALARM TERMINAL BLOCK - SOLDERLESS COMPRESSION	#22-14 AWG
TB4	AUXILIARY ALARM TERM BLOCK - SOLDERLESS COMPRESSION	#22-14 AWG
TB8	TEMPCO PROBE (A10) INTERCONNECTION TERMINAL BLOCK	#22-14 AWG

				THIRD ANGLE PROJECTION		 1075 Saint John Street Easton, PA 18042-6661 PH 610-330-9000 FAX 610-330-8510 www.hindlepowerinc.com		
DRAWN BY MCR		020607		TITLE AT30 SERIES BATTERY CHARGER (OPTIONAL) INTERNAL COMPONENT LAYOUT: STYLE-5030				
APPROVED				DRAWING No JE5089-99		REV 0	B	
0	20537	020607		UNLESS OTHERWISE NOTED DIMENSIONS ARE IN INCHES. TOLERANCES ARE:		SCALE NTS	PART No JE5089-99	SHEET 1 OF 1