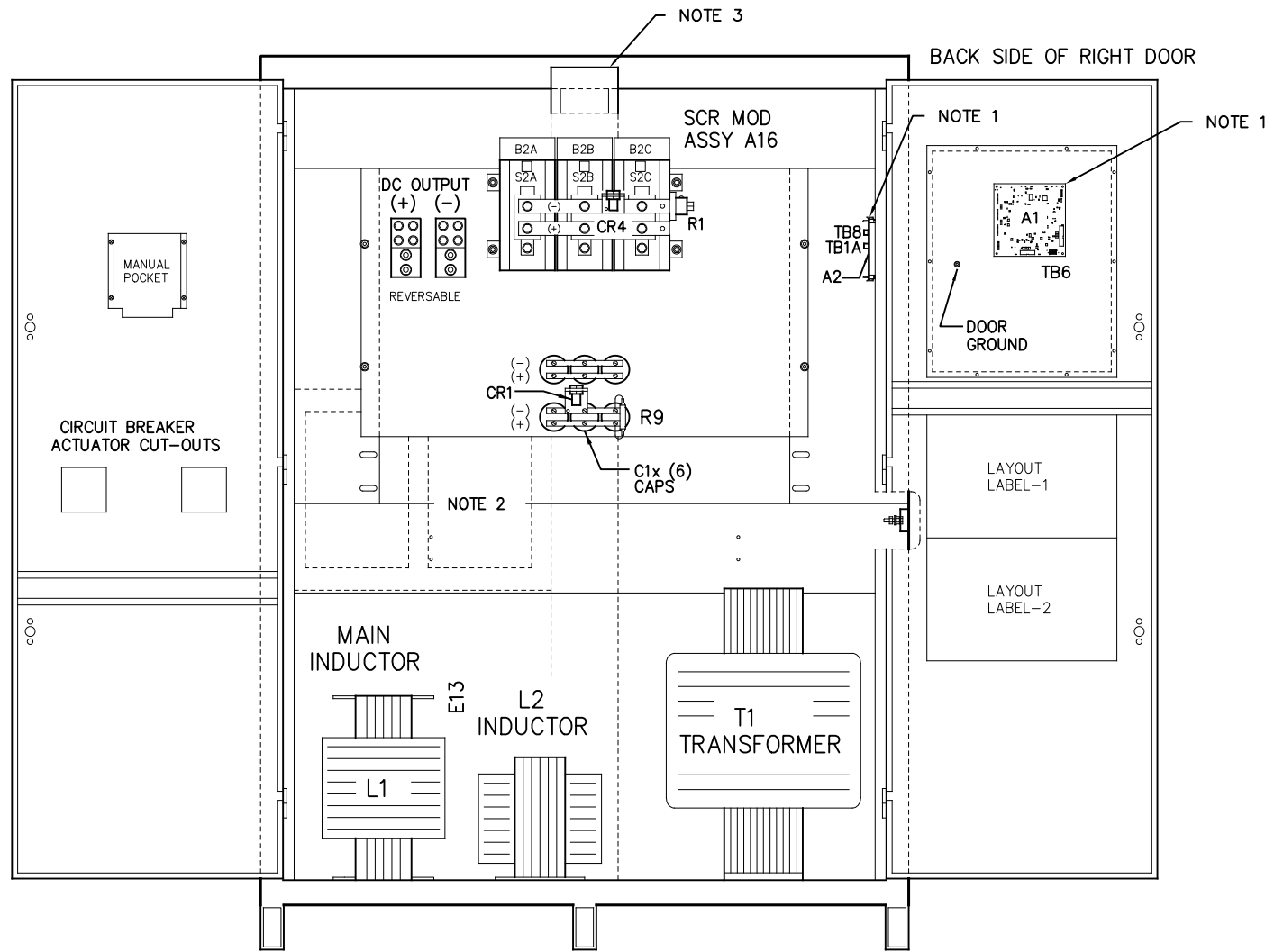


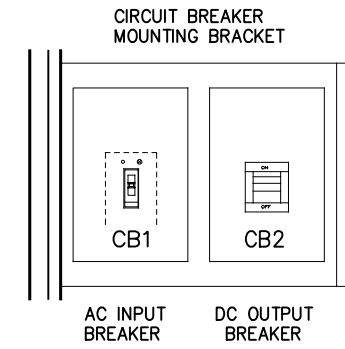
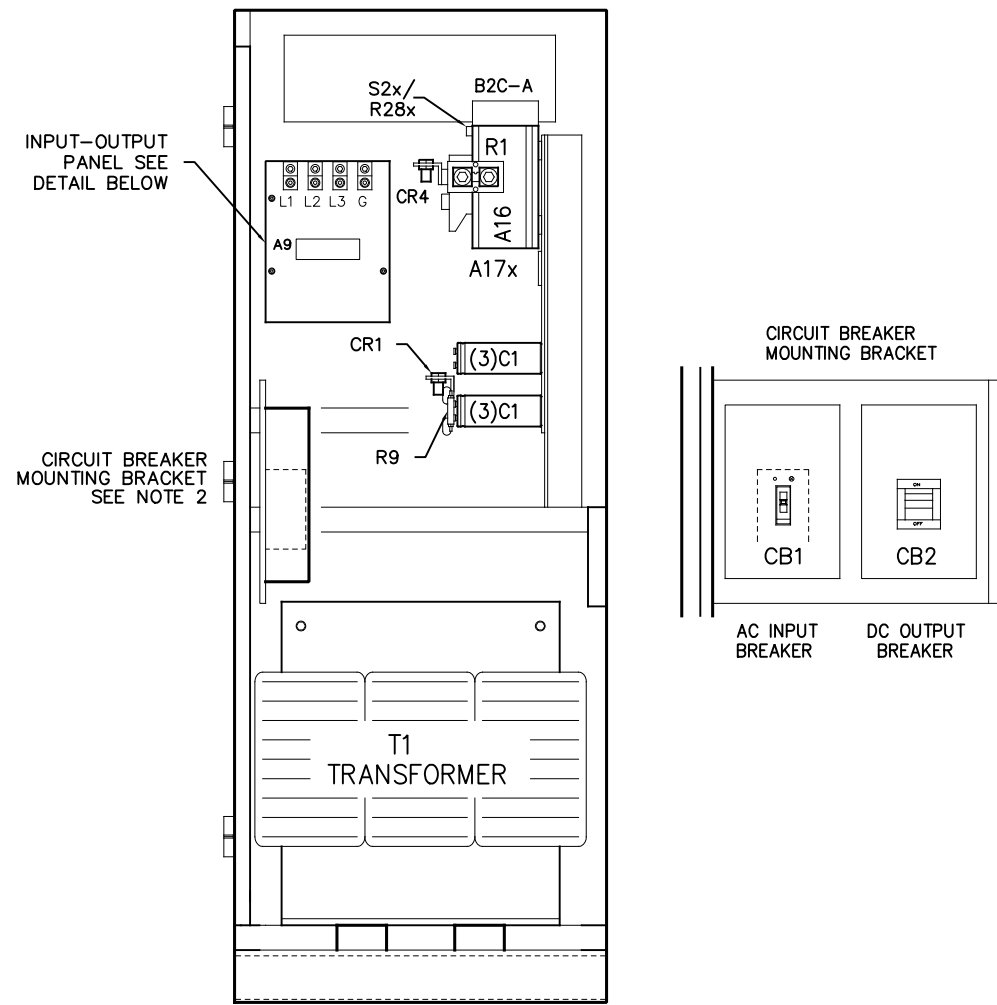
SYM STANDARD COMPONENT DESCRIPTION

- A1 MAIN CONTROL PC BOARD
- A2 POWER BOARD
- A9 MOV PC BOARD
- A16 3PH SCR MODULE ASSY (1x6 Q1-Q6)
- B2x SCR MODULE (A16) COOLING FAN
- C1x DC OUTPUT FILTER CAPACITOR
- CB1 AC INPUT CIRCUIT BREAKER (LAL3)
- CB2 DC OUTPUT CIRCUIT BREAKER (LGL2)
- CR1 POLARITY DIODE
- CR4 FREE-WHEELING DIODE
- E13 INDUCTOR INTER-CONNECT POINT
- L1 MAIN INDUCTOR
- L2 FILTER INDUCTOR
- R1 MAIN DC SHUNT, NEG(-) BUS
- R9 FILTER CAP (C1) BLEED RESISTOR
- S2x THERMOSTAT (S2x) SENSE RESISTOR
- T1 POWER ISOLATION TRANSFORMER
- TB1 INPUT TERMINAL BOARD
- TB6 SUMMARY ALARM CONTACTS
- TB8 OPT. TEMP/CO PROBE TERM BLOCK

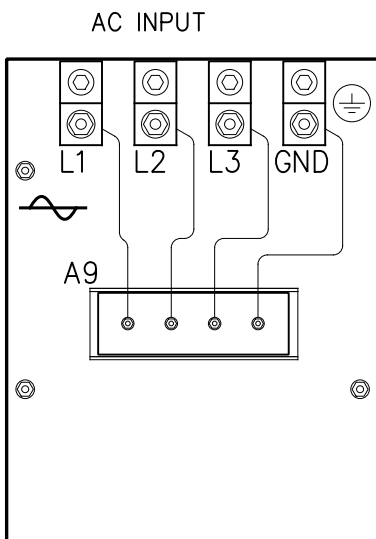
FRONT VIEW



SIDE SECTION



I/O TERMINAL BOARD (TB1) DETAIL



NOTES:

- 1) FOR DETAIL VIEWS OF ALL PC BOARDS (A1, A5, A15, A17, etc.) SEE DRAWING JE5333-99.
- 2) CIRCUIT BREAKER(S) MOUNTED ON SIDE BRACKET, NOT FULLY SHOWN FOR CLARITY.
- 3) CENTER DIVIDER NOT SHOWN FOR CLARITY OF INTERNAL VIEW.

I/O TERMINAL	DESCRIPTION - TYPE	CONNECTION
TB1(+)	POS(+) DC OUTPUT TERMINAL - CU-ALUMINUM COMPRESSION LUG	(2) 350-800 MCM
TB1(-)	NEG(-) DC OUTPUT TERMINAL - CU-ALUMINUM COMPRESSION LUG	(2) 350-800 MCM
TB1-GND	USER GROUND TERMINAL - CU-ALUMINUM COMPRESSION LUG	#6 AWG-350 MCM
TB1-L1/L2/L3	AC INPUT TERMINALS - CU-ALUMINUM COMPRESSION LUG	#6 AWG-350 MCM

REV. 0	DRN BY KJB	CHK BY MCR	APP BY MCR	DATE 11/15/19	DRN BY KJB	DATE 11/15/19	<p>1075 Saint John Street Easton, PA 18042-6661 PH 610-330-9000 FAX 610-330-8510 www.hindlepowerinc.com</p>
DESCRIPTION STANDARD DRAWINGS.					CHK BY MCR	DATE 11/15/19	
					CHK BY MCR	DATE 11/15/19	
<p>TITLE ATEVO BATTERY CHARGER INTERNAL COMPONENT LAYOUT: STYLE-198</p>							
			<p>SCALE DWG No NTS JE5352-00</p>		REV 0	SHEET 1 OF 1	