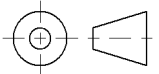


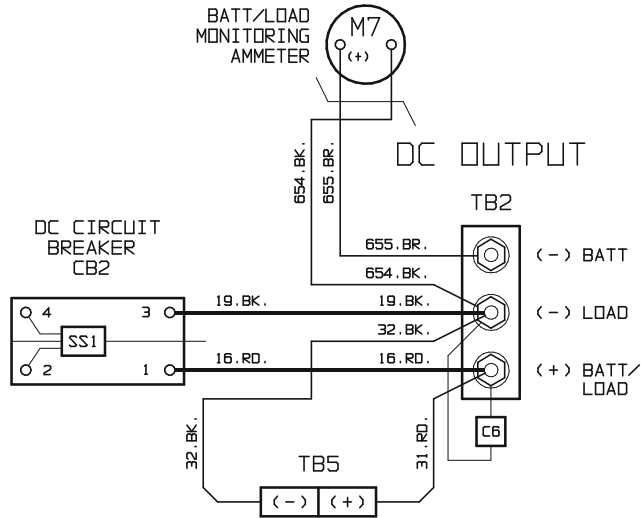
NOTES:

- 1) SHUNT (SH2) NOT USED IN OPTIONS WITH METERS RATED LOWER THAN 50 Adc (EJ0138-01 & -02).
- 2) WITH THIS OPTION, THREE (3) POSITION DC OUTPUT TERMINAL BLOCK (TB2) REPLACES STANDARD TWO (2) POSITION TYPE IN SCR/SCRF SERIES BATTERY CHARGER MAINFRAME SCHEMATIC.

3	21459	12/09/08	ND	 THIRD ANGLE PROJECTION										
2	11374	10/03/94	CWF											
1	4920	01/05/88	WAH	DRAWN BY	CIA	06/10/85	TITLE		Zero-Center DC Ammeter For Battery/Load Monitoring					
1	1707	06/17/85	WKB	APPROVED	WKB	06/17/85	DWG No		<b>EJ0138-XX</b> REV 3					
0	1674	05/31/85	N/A	UNLESS OTHERWISE NOTED, DIMENSIONS ARE IN INCHES AND TOLERANCES ARE:										
REV	ECN No	DATE	APP				SCALE	NTS	PART No	EJ0138-XX	SHEET	1	OF	2

**WIRING  
EJ0138-01  
THROUGH  
EJ0138-02**

(M7 < 50A)



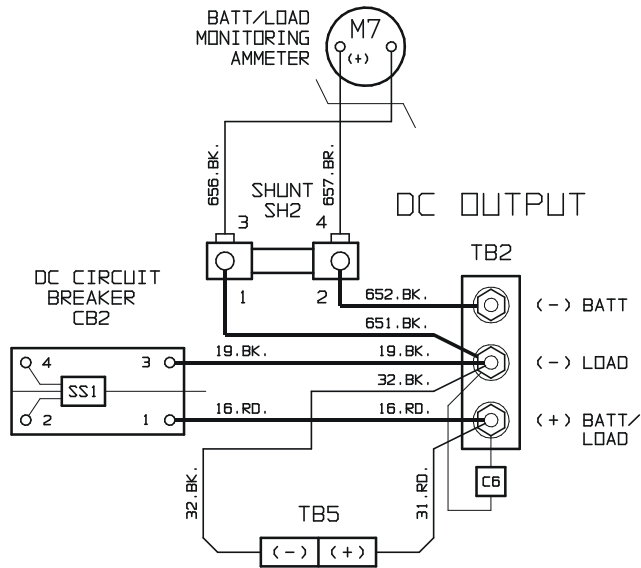
**WIRE LIST (M7 < 50A)**

No.	CODE	GAUGE	FROM	TO
654	BK	#20 AWG	TB2-LOAD(-)	M7-2
655	BR	#20 AWG	TB2-BATT(-)	M7-1(+)

All other wire (#s 16, 19, 31 & 32) part of SCR/SCRF Series charger mainframe, shown for reference purposes only.

**WIRING  
EJ0138-03  
THROUGH  
EJ0138-09**

(M7 => 50A)



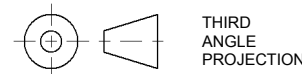
**WIRE LIST (M7 => 50A)**

No.	CODE	GAUGE	FROM	TO
651	BK	NOTE 2	TB2-LOAD(-)	SH2-1
652	BK	NOTE 2	TB2-BATT(-)	SH2-2(+)
656	BK	#20 AWG	SH2-3	M7-2
657	BR	#20 AWG	SH2-4	M7-1(+)

All other wire (#s 16, 19, 31 & 32) part of SCR/SCRF Series charger mainframe, shown for reference purposes only.

**NOTES:**

- 1) IF CUSTOM FRONT PANEL IS NOT SUPPLIED IN BOM, USE HOLE PATTERN (FN5002-00) TO CUT OUT HOLE ON FRONT PANEL/DOOR FOR ZERO-CENTER DC AMMETER (M7).
- 2) IF THIS OPTION CONTAINS A 3-POS DC OUTPUT TERMINAL BLOCK (TB2), PLEASE RETURN STANDARD 2-POS PART TO STOCK. FOR CHARGERS IN STYLE-3, 4 OR 5 ENCLOSURES, RETURN ALL TB2 PARTS TO STOCK AND DRILL CUSTOM I/O PANEL FOR THREE (3) ZPS STUDS. LABEL 3-POSITION DC OUTPUT TERMINALS (TB2) ON I/O AS SHOWN.
- 3) WIRE #S 651 AND 652 SHOULD BE SIZED THE SAME AS #S 16 AND 19 PER CB0009-00.
- 4) SCR/SCRF SERIES CHARGER MAINFRAME COMPONENTS (C6, CB1, TB5 & SS1) SHOWN FOR REFERENCE PURPOSES ONLY.



THIRD ANGLE PROJECTION

DRAWN BY	CIA	06/10/85	TITLE		Zero-Center DC Ammeter For Battery/Load Monitoring					
APPROVED	WKB	06/17/85	DWG No	<b>EJ0138-XX</b>	<b>A</b>					
UNLESS OTHERWISE NOTED, DIMENSIONS ARE IN INCHES AND TOLERANCES ARE:			SCALE			NTS	PART No	EJ0138-XX	SHEET	2