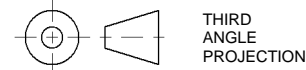


NOTES:

- 1) TEST SWITCH (SW12) IS A MOMENTARY "CENTER-OFF" DOUBLE-POLE DOUBLE-THROW (DPDT) TYPE.
- 2) DS08 AND DS09 OPERATE FROM BATTERY CHARGER DC OUTPUT VOLTAGE.

5	21456	12/09/08	ND
4A	10223	08/27/93	PAC
3	N/A	N/A	N/A
2	1155	11/29/84	TPP
1	896	10/01/84	JMB
REV	ECN No	DATE	APP



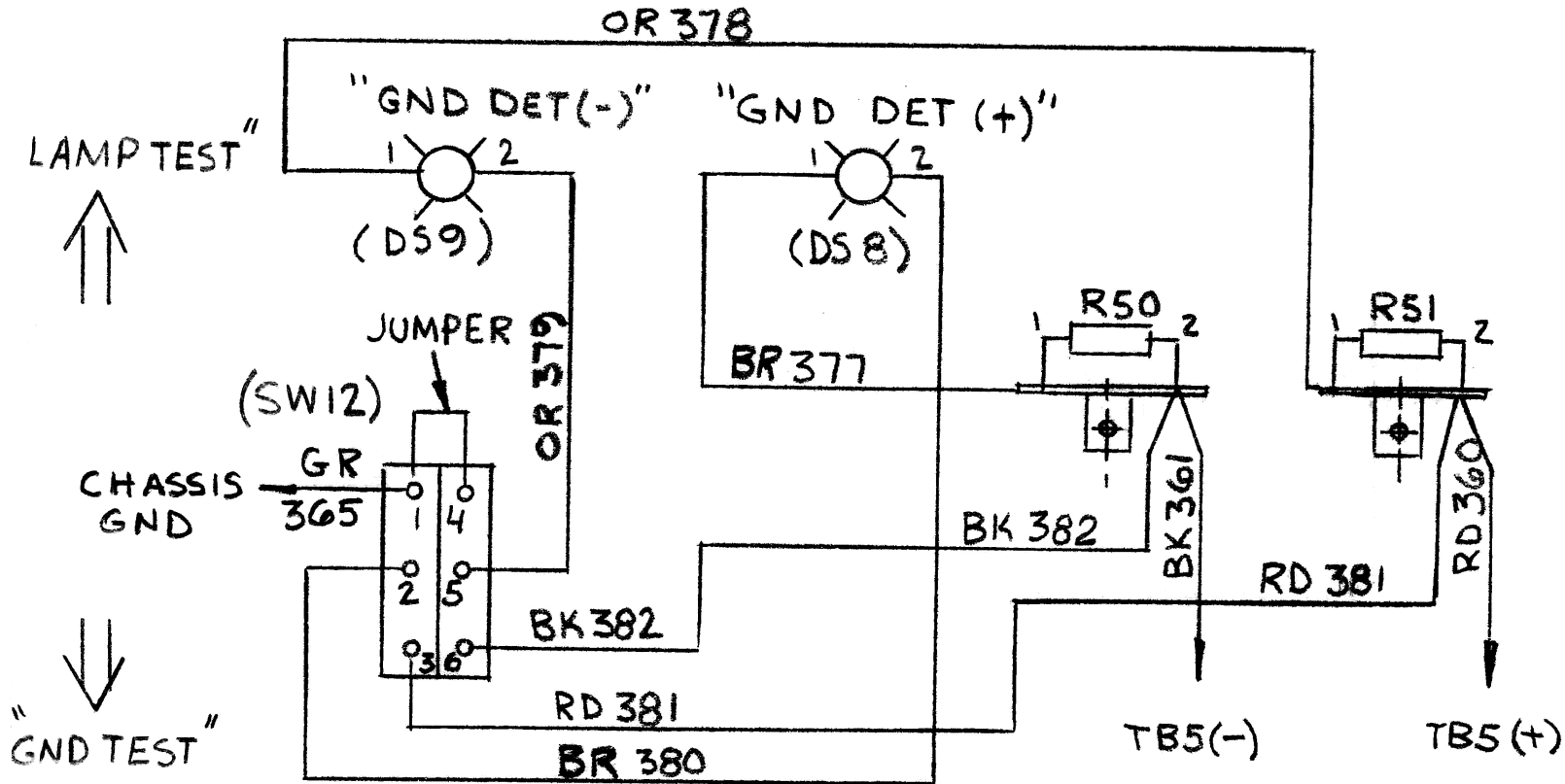
THIRD ANGLE PROJECTION

DRAWN BY **CIA** 01/15/85
 APPROVED **TPP** 01/15/85

UNLESS OTHERWISE NOTED, DIMENSIONS ARE IN INCHES AND TOLERANCES ARE:

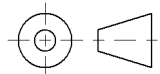
TITLE Ground Detection Indicator Lights With Test Switch			
DWG No EJ0089-XX			A
SCALE NTS PART No EJ0089-XX			REV 5
SHEET 1 OF 2			

WIRE LIST							
No.	CODE	FROM	TO	No.	CODE	FROM	TO
360	RD	TB5(+)	R51-2	379	OR	DS09-2	SW12-5
361	BK	TB5(-)	50-2	380	BR	DS08-2	SW12-2
365	GR	CHASSIS GROUND	SW12-1	381	RD	R51-2	SW12-3
377	BR	R50-1	DS08-1	382	BK	R50-2	SW12-6
378	OR	R51-1	DS09-1	JMP	GR	SW12-1	SW12-4



NOTES:

1) ALL WIRE IS #20 AWG UNLESS OTHERWISE SPECIFIED.

 THIRD ANGLE PROJECTION					
DRAWN BY	CIA	01/15/85	TITLE	Ground Detection Indicator Lights With Test Switch	
APPROVED	TPP	01/15/85	DWG No	EJ0089-XX	
UNLESS OTHERWISE NOTED, DIMENSIONS ARE IN INCHES AND TOLERANCES ARE:			SCALE		NTS
		PART No	EJ0089-XX	SHEET	2 OF 2
				A	REV 5