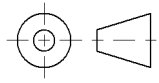


HIGH-LOW VOLTAGE ALARM
PC BOARD ASSY A11A

NOTES:

- 1) WITH NORMAL AC SUPPLY VOLTAGE, ADJUST R3 ON A11B UNTIL CONTACT E3 REACHES 13.0 Vdc IN REFERENCE TO A11B-E4 OR TB5(-).
- 2) ADJUST R18 ON A11A FOR DESIRED LOW AC VOLTAGE ALARM INDICATION.
- 3) ADJUST R4 ON A11A FOR DESIRED HIGH AC VOLTAGE ALARM INDICATION.
- 4) RELAY CONTACTS SHOWN IN NON-ALARM CONDITION.

5	21770	08/13/09	ND	 THIRD ANGLE PROJECTION		
4B	12213	07/12/95	WAH			
4	3658	02/19/87	WKB	DRAWN BY	CIA	06/08/85
3	2184	10/22/85	WKB	APPROVED	WKB	06/17/85
2	1702	06/17/85	WKB	UNLESS OTHERWISE NOTED, DIMENSIONS ARE IN INCHES AND TOLERANCES ARE:		
REV	ECN No	DATE	APP			
				TITLE		
				HIGH/LOW AC VOLTAGE ALARM W/INDICATORS		
				DWG No		<h1 style="margin: 0;">EJ0155-XX</h1>
				SCALE	NTS	PART No
				EJ0155-XX		SHEET
				1		OF
				2		

