

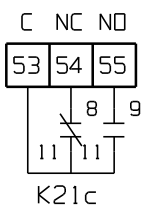
HIGH DC VOLTAGE  
DETECTOR PC  
BOARD ASSY. A13

R1-1T

NOTES:

- 1) SO13-6/R81 CONNECTION MADE TO L2-2 IN FILTERED UNITS, OR TO DIODE HEATSINK AT CR2(K) IN UNFILTERED UNITS.
- 2) R81 NOT USED ON 12Vdc CHARGERS.
- 3) ADJUST R4 ON A13 PC BOARD TO OBTAIN CHARGER SHUTDOWN AT DESIRED BATTERY VOLTAGE.
- 4) ALARM CONTACTS SHOWN IN NON-ALARM CONDITION.

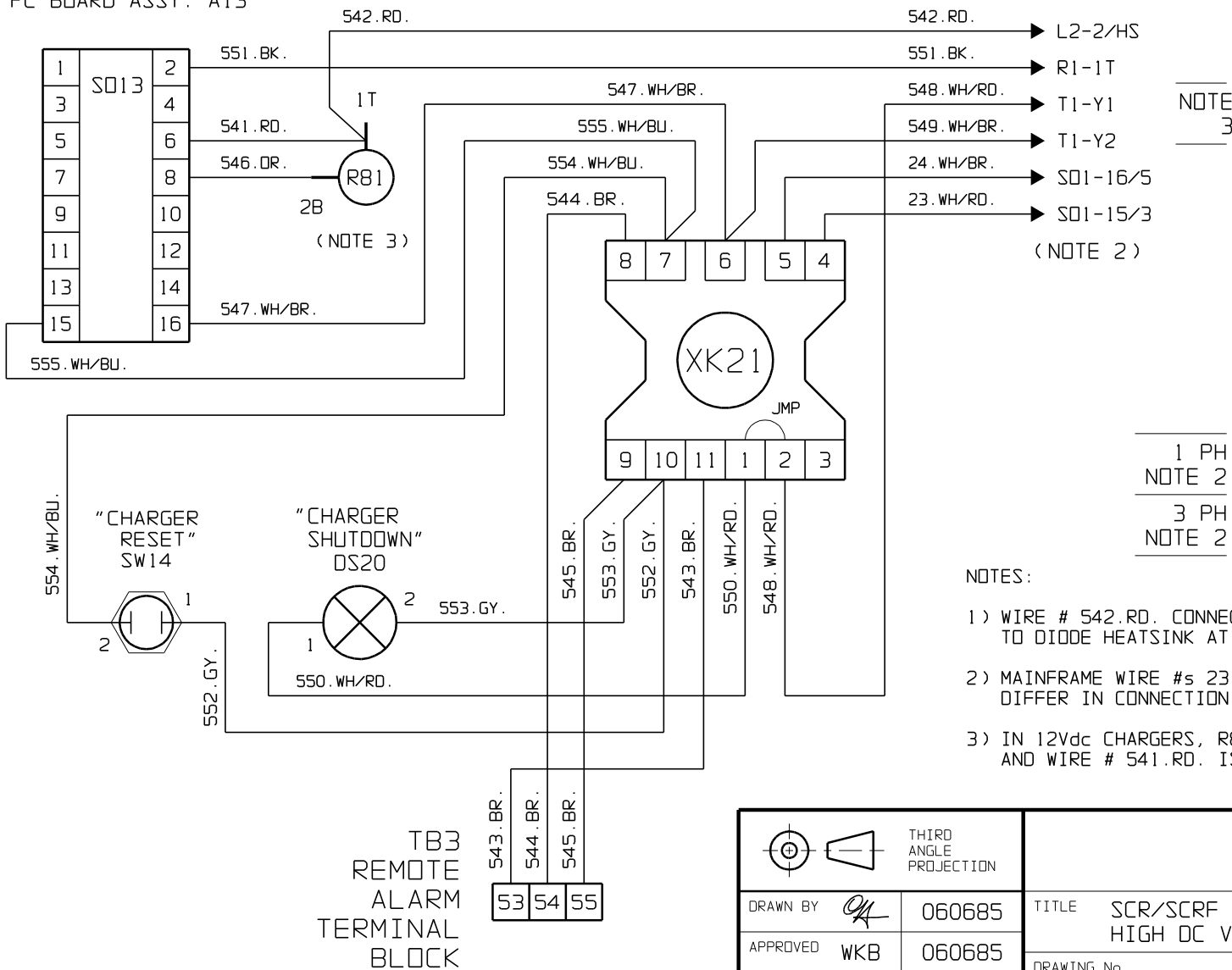
TB3  
REMOTE ALARM  
TERMINAL BLOCK  
(NOTE 4)



7	20545	020907		 THIRD ANGLE PROJECTION
6	20394	103106	MCT	
5	E1494	120403	MCT	DRAWN BY <i>WA</i> 060685
4C	12150	061595	WKB	APPROVED WKB 060685
0	1219	122184	WAH	UNLESS OTHERWISE NOTED DIMENSIONS ARE IN INCHES. TOLERANCES ARE:
REV	ECN No	DATE	APP	

TITLE				SCR/SCRFB SERIED OPTION SCHEMATIC: HIGH DC VOLTAGE CHARGER SHUTDOWN W/IND	
DRAWING No			EJ0592-XX		REV 7A
SCALE		PART No		SHEET 1 OF 2	
NTS		EJ0592-XX		A	

HIGH DC VOLTAGE  
CHARGER SHUTDOWN  
PC BOARD ASSY. A13



WIRE LIST

No.	CODE	FROM	TO
541	RD	SO13-6	SO13-8
542	RD	SO13-6	L2-2/HS
541	RD	SO13-6	R81-1T
542	RD	R81-1T	L1/2-2
543	BR	K21-11	TB3-53
544	BR	K21-8	TB3-54
545	BR	K21-9	TB3-55
546	DR	SO13-8	R81-2B
547	WH/BR	SO13-16	K21-6
548	WH/RD	K21-2	T1-Y1
549	WH/BR	K21-6	T1-Y2
550	WH/RD	K21-1	DS20-1
551	BK	SO13-2	R1-1T
552	GY	K21-10	SW14-1
553	GY	K21-10	DS20-2
554	WH/BU	SW14-2	K21-7
555	WH/BU	SO13-15	K21-7
J1	WH/RD	K21-2	K21-1
23	WH/RD	SO1-15	K21-4
24	WH/BR	SO1-16	K21-5
23	WH/RD	SO1-3	K21-4
24	WH/BR	SO1-5	K21-5

NOTES:

- 1) WIRE # 542.RD. CONNECTS TO L2-2 IN FILTERED UNITS, OR TO DIODE HEATSINK AT CR2(K) IN UNFILTERED UNITS.
- 2) MAINFRAME WIRE #s 23 AND 24 ARE REROUTED TO K21, AND DIFFER IN CONNECTION FOR 1PH AND 3PH UNITS.
- 3) IN 12Vdc CHARGERS, R81 AND WIRE # 546.DR. ARE NOT USED, AND WIRE # 541.RD. IS RE-ROUTED TO SO13-8 AS LISTED.

THIRD ANGLE PROJECTION		TITLE SCR/SCRF SERIED OPTION CONN DIAGRAM: HIGH DC VOLTAGE CHARGER SHUTDOWN W/IND	
DRAWN BY <i>QA</i> APPROVED <i>WKB</i>	060685 060685	DRAWING No <b>EJ0592-XX</b>	REV 7A <b>A</b>
UNLESS OTHERWISE NOTED DIMENSIONS ARE IN INCHES. TOLERANCES ARE:		SCALE NTS	PART No EJ0592-XX SHEET 2 OF 2