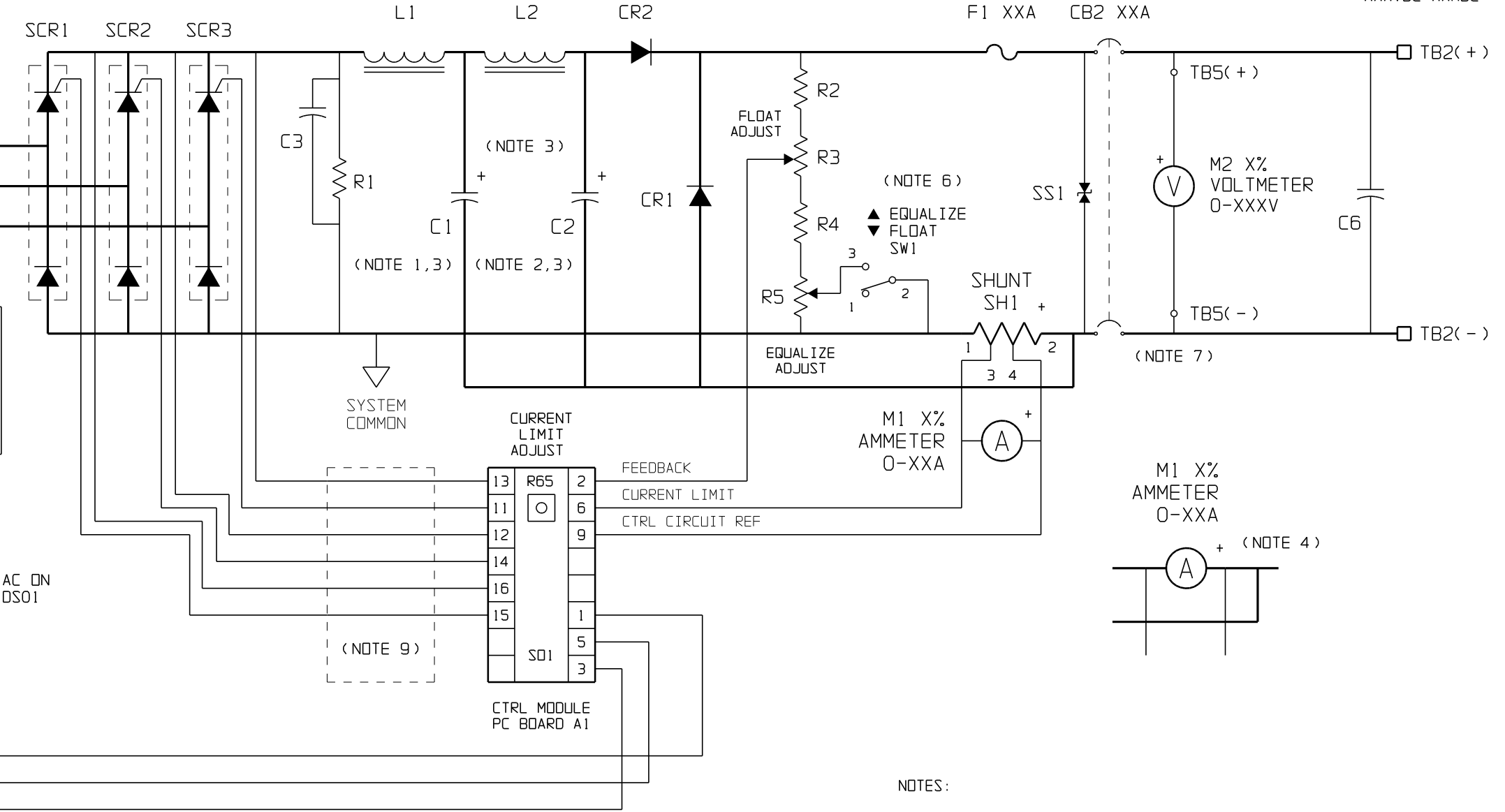
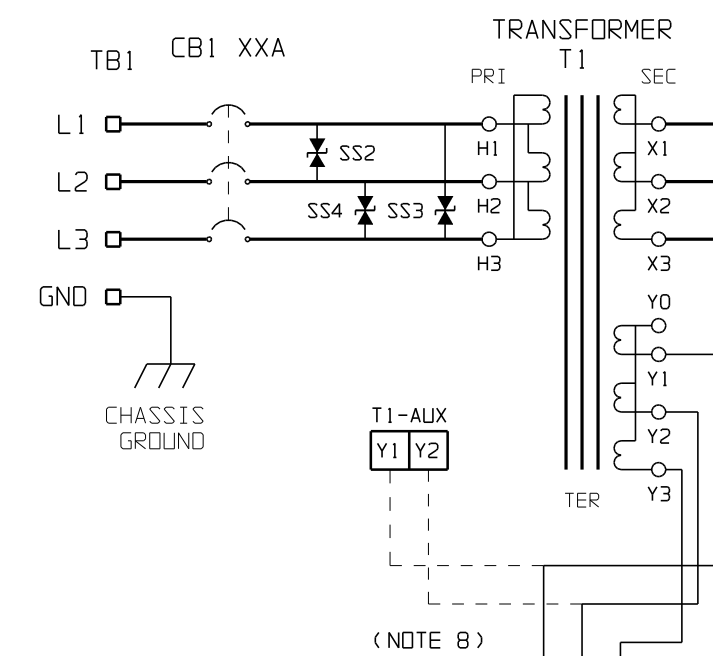
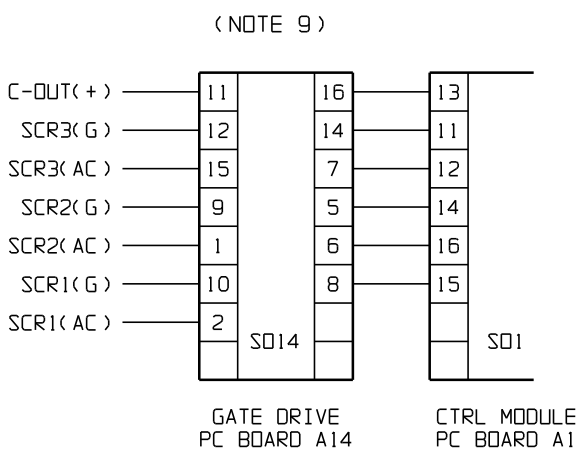


AC INPUT
XXXV-3Ø-60Hz
XX.X kVA



- SYM. DESCRIPTION
- A1 MAIN CONTROL PC BOARD
 - A14 HI-OUTPUT GATE DRIVE PCB (OPT)
 - C1 FILTER CAPACITOR (OPTIONAL)
 - C2 BATTERY ELIMINATOR CAP (OPT)
 - C3 SNUBBER CAPACITOR
 - C6 DC OUTPUT EMI FILTER CAP
 - CB1 AC INPUT CIRCUIT BREAKER
 - CB2 DC OUTPUT CIRCUIT BKR (DPT)
 - CR1 POLARITY DIODE
 - CR2 BLOCKING DIODE
 - CR4-6 RECTIFIER DIODES (OPTIONAL)
 - DSO1 AC ON INDICATOR LIGHT
 - F1 MAIN DC FUSE
 - F2 REDUNDANT DC FUSE (NOT SHOWN)
 - L1 MAIN INDUCTOR
 - L2 FILTER INDUCTOR (OPTIONAL)
 - M1 DC OUTPUT AMMETER
 - M2 DC OUTPUT VOLTMETER
 - R1 BLEED RESISTOR
 - R2 VOLTAGE DIVIDER (TOP)
 - R3 FLOAT POTENTIOMETER
 - R4 VOLTAGE DIVIDER (LOWER)
 - R5 EQUALIZE POTENTIOMETER
 - R55 CURRENT LIMIT ADJUST POT
 - SCR1-3 SILICON-CONTROLLED RECTIFIERS
 - SH1 MAIN DC SHUNT
 - SO1 CTRL PCB (A1) INTERCONNECTOR
 - SO14 GD PCB (A14) INTERCONNECTOR
 - SS1 DC OUTPUT SURGE PROTECTOR
 - SS2-4 AC INPUT SURGE PROTECTORS
 - SW1 FLOAT/EQUALIZE SWITCH (DPT)
 - T1 POWER ISOLATION TRANSFORMER
 - TB1 AC INPUT TERMINAL BLOCK
 - TB2 DC OUTPUT TERMINAL BLOCK



- NOTES:
- 1) L2 AND C1 ARE USED FOR FILTERING OF DC OUTPUT (SCRF TYPE).
 - 2) C2 IS USED FOR BATTERY ELIMINATOR OF DC OUTPUT (SCRF-E TYPE).
 - 3) C1 AND C2 MAY CONSIST OF ONE OR MORE INDIVIDUAL CAPACITORS.
 - 4) M1 CONNECTED IN SERIES WITH CHARGER MAINFRAME IN UNITS RATED LOWER THAN 50ADC NOMINAL OUTPUT (SH1 EXTERNAL SHUNT NOT SUPPLIED).
 - 5) OPTIONAL DC CIRCUIT BREAKER (CB2) IS SHOWN. IF CB2 IS NOT SUPPLIED, A SECOND DC FUSE (F2) IS SUPPLIED IN THE NEGATIVE OUTPUT LEAD.
 - 6) STANDARD F/E SWITCH SHOWN, OTHER EQUALIZE FEATURES AVAILABLE.
 - 7) TB5 IS USED AS AN INTERNAL CONNECTION POINT FOR BATTERY POSITIVE AND NEGATIVE SIGNAL WIRING ONLY.
 - 8) SPECIAL WIRING SUPPLIED WITH UNITS IN STYLE-3/4/5 ENCLOSURES.
 - 9) AN AUXILIARY GATE DRIVE MODULE (A14) IS USED ON CHARGERS RATED 175ADC NOMINAL OUTPUT OR GREATER (SEE ALSO DWG. EH0617).

THIRD ANGLE PROJECTION		1075 Saint John Street Easton, PA 18042-6661 PH 610-330-9000 FAX 610-330-8510 www.hindlepower.com	
DRAWN BY MCR 091803		TITLE SCR/SCRF SERIES BATTERY CHARGER: MAINFRAME SCHEMATIC - THREE PHASE INPUT	
APPROVED [Signature] 091803		DRAWING No JE5078-00 REV 1 B	
1	20373	101206	
0	E1384	091803	
REV	ECN No	DATE	APP
SCALE NTS		PART No JE5078-00	SHEET 1 OF 1