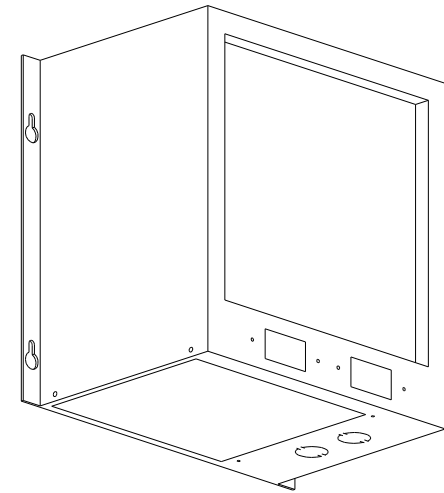


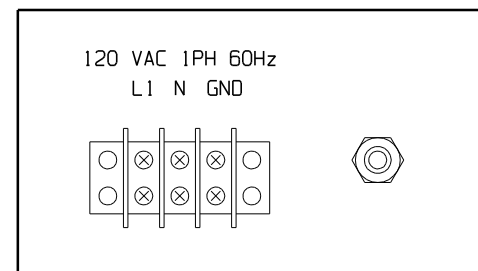
BILL OF MATERIAL: EJ1223-00

ITEM NUMBER	PART No.	DESCRIPTION	QUANTITY PER ASSY
①	FE0590-00	CABINET HEATER ENCLOSURE ASSY	1
②	PE0291-01	SCW, ZPS, PHSWH, TYPE-F, #8-32x.5	4
	JA0107-00	CUSTOMER INSTRUCTIONS	1

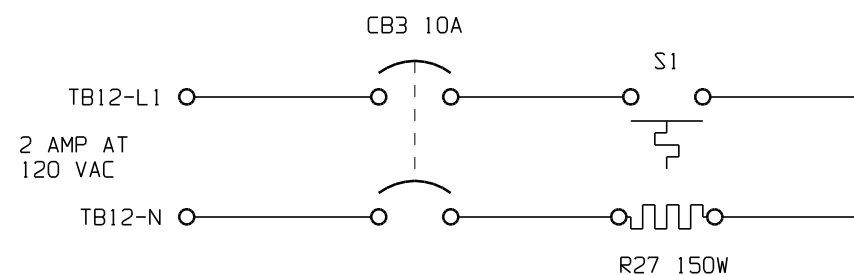
CKT. SYMBOL	PART No.	REPLACEMENT PARTS FOR FE0590-00	QUANTITY PER ASSY
CB3	RE0159-11	CIRCUIT BREAKER 10 AMPS	1
R27	RG0003-00	HEATER STRIP 150 WATTS	1
S1	RG0002-01	THERMO-SWITCH NC 80°F	1
TB12	RC0005-01	TERMINAL BLOCK 15A 3POS	1



ACCESS PANEL DETAIL

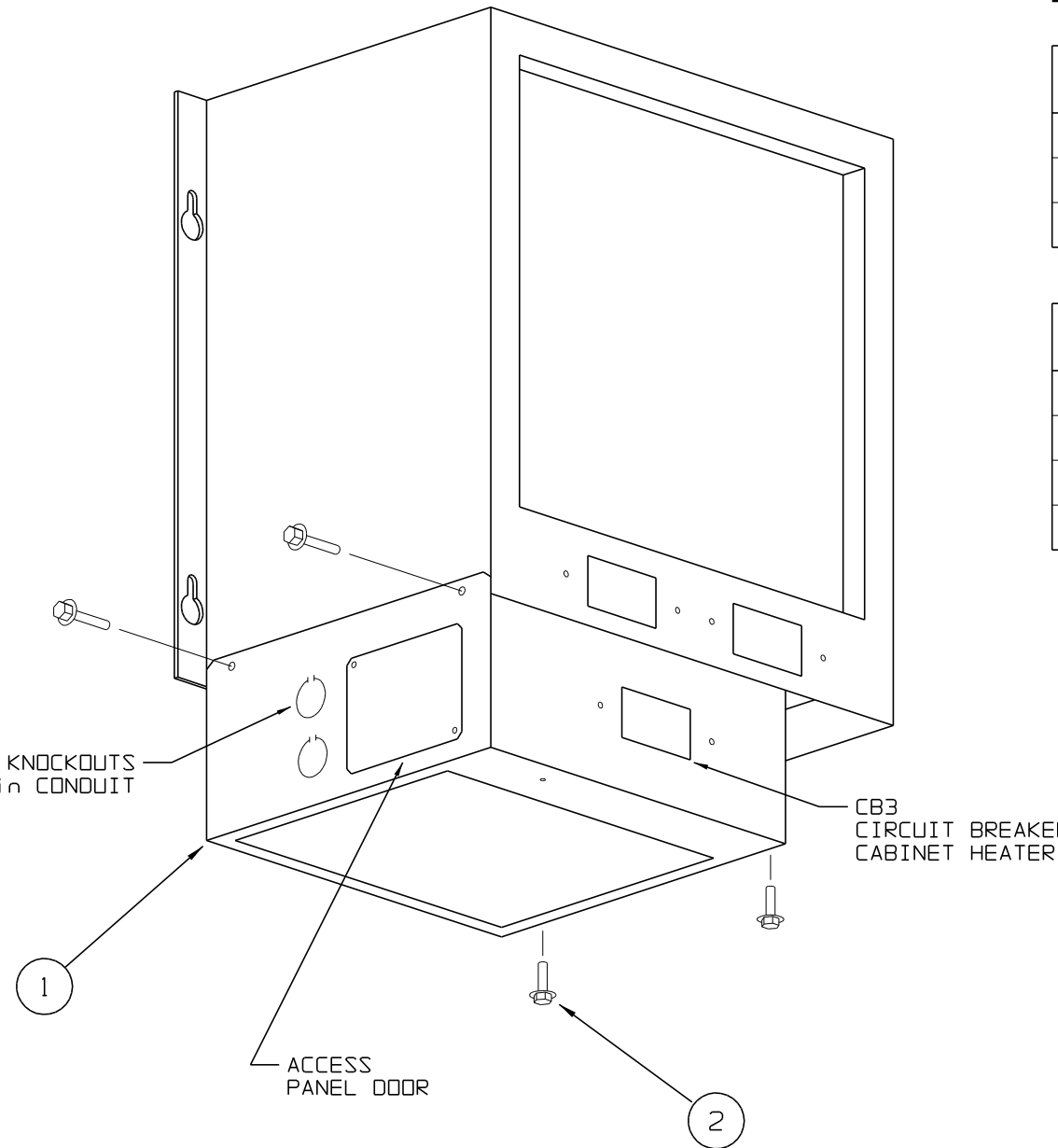


SCHEMATIC



NOTE:
S1 THERMOSTAT OPENS ON RISE AT 80°F AND IS SELF-RESETTING.

(2) .5in KNOCKOUTS FOR .5in CONDUIT



RECOMMENDED PROCEDURE

1. DEENERGIZE AND LOCK OUT ALL AC AND DC VOLTAGE SOURCES AT THE AT10. CHECK WITH A VOLTMETER.
2. MOUNT AT10.1 HEATER ASSEMBLY UNDER THE BATTERY CHARGER AS SHOWN. FASTEN WITH FOUR (4) SCREWS ITEM 2, AS SHOWN. THE SCREW IS A SELF TAPPING TYPE-F. IN SOME UNITS YOU MAY HAVE TO DRILL THE BOTTOM OF THE CHARGER IN ORDER TO FASTEN THE HEATER, OR USE A 8-32 NUT INSIDE THE CHARGER. IF YOU NEED TO DRILL, PLEASE USE A 9/16in DRILL BIT AND USE THE HEATER ENCLOSURE AS A TEMPLATE TO MARK THE LOCATIONS OF NEW HOLES.
3. CAUTION!!!
THE HEATER ASSEMBLY SHOULD BE WIRED BY AN ELECTRICIAN, BE SURE YOUR WIRING CONFORMS TO THE NEC AND YOUR FACILITY REQUIREMENTS.
4. REMOVE OR OPEN ACCESS DOOR (SEE DETAIL).
5. BRING YOUR WIRES THRU ONE OF THE KNOCKOUTS AND INTO THE TERMINAL BLOCK TB12. INPUT POWER IS 120 V_{ac} SINGLE PHASE 60 Hz. RECOMMENDED WIRE SIZE IS 14 AWG.
6. CHECK YOUR WORK AND REPLACE ACCESS DOOR.
7. ENERGIZE THE HEATER ASSEMBLY.
8. ENERGIZE THE AT10.1 BATTERY CHARGER.

REV	ECN No	DATE	APP	THIRD ANGLE PROJECTION		TITLE	DRAWING No	REV	SCALE	PART No	SHEET	OF
3	E1708	061604	TH	THIRD ANGLE PROJECTION		CUSTOMER INSTALLATION INSTRUCTIONS AT10.1 SERIES GROUP I CABINET HEATER ASSY	JA0107-00	3A	NTS	JA0107-00	1	1
2	E1578	022704	MCR	DRAWN BY	050493							
1	10634	010694	WAH	APPROVED	050493							
0	09736	042993	WAH	UNLESS OTHERWISE NOTED DIMENSIONS ARE IN INCHES. TOLERANCES ARE:								