

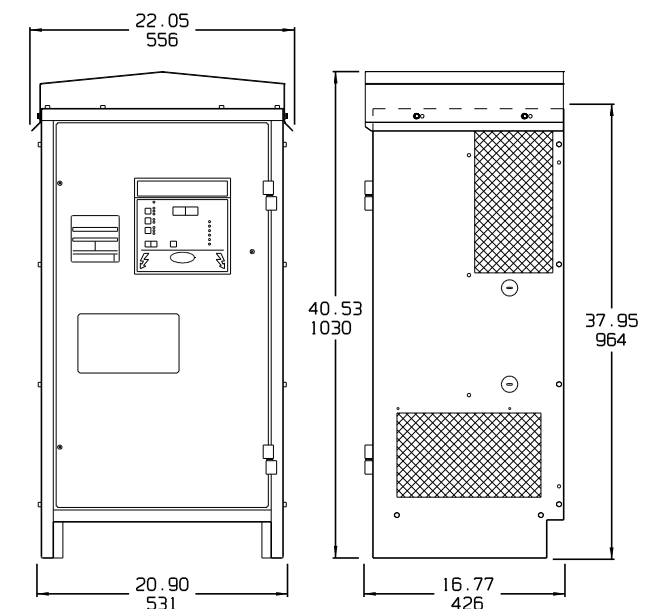
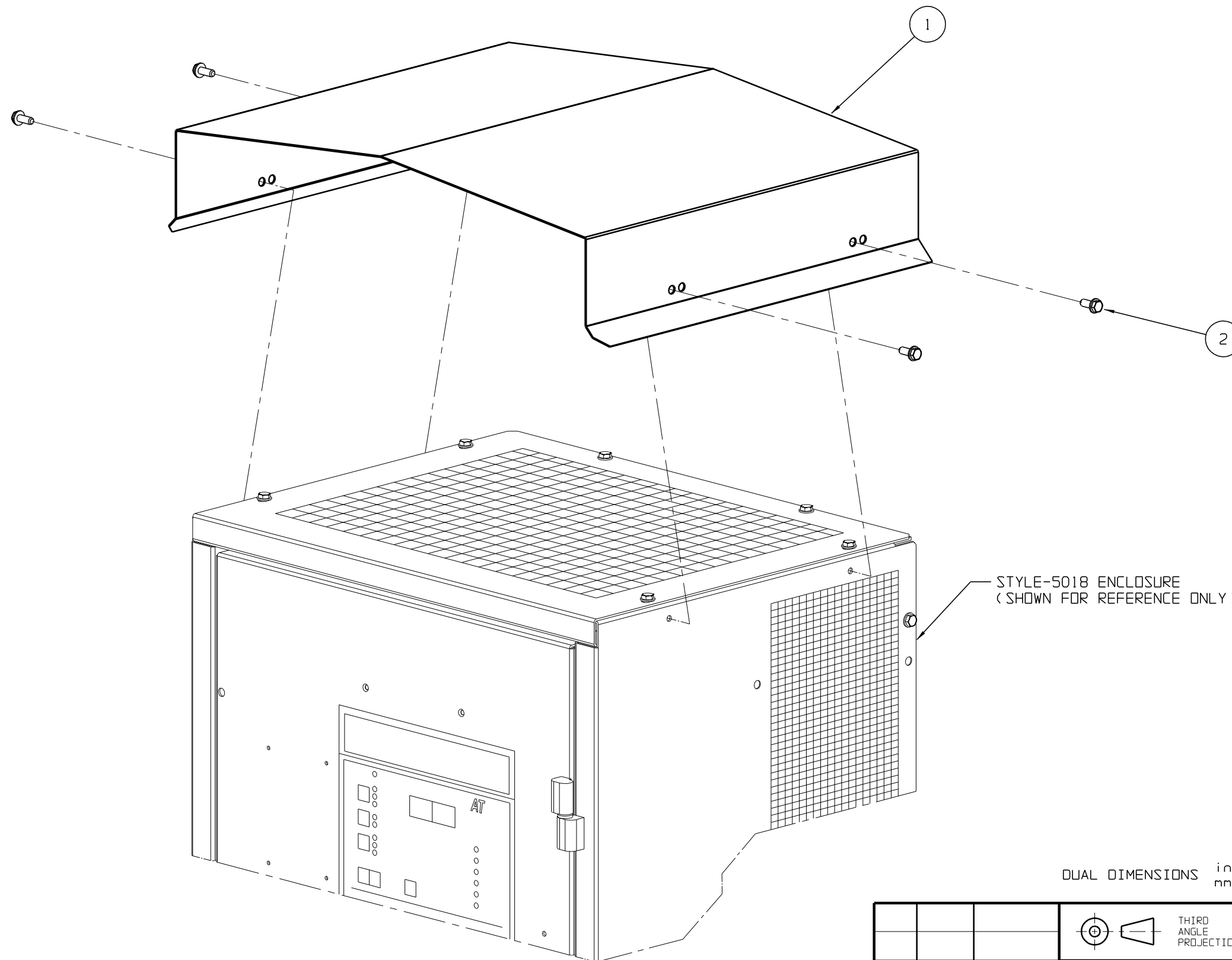
GENERAL INFORMATION:

BEFORE YOU START, PLEASE CHECK THE FOLLOWING:

- 1) DO I HAVE THE CORRESPONDING BOM FOR THE ASSEMBLY BEING BUILT?
- 2) DO I HAVE ALL THE PARTS LISTED ON THE BILL OF MATERIAL (BOM)?
- 3) NUMBERED BALLOONS CORRESPOND TO THE SEQUENCE No. ON THE BOM.
- 4) FOLLOW ALL SAFETY AND QUALITY PROCESSES THIS ASSEMBLY REQUIRES.

ASSEMBLY PROCEDURE(S)

- 1) PLACE THE DRIP SHIELD (ITEM 1) AS SHOWN ON TOP OF YOUR STYLE-5018 BATTERY CHARGER ENCLOSURE. NOTICE THE NOTCHES ON THE SHIELD ARE FACING THE FRONT OF THE CABINET.
- 2) ALIGN THE REAR SET OF HOLES ON THE DRIP SHIELD (ITEM 1) WITH THE PRE-PUNCHED HOLES ON YOUR ENCLOSURE.
- 3) SECURE THE DRIP SHIELD TO THE ENCLOSURE BY USING THE SUPPLIED 0.25-20 x 0.625in SELF-CUTTING SCREW (ITEM 2) AS SHOWN.



DUAL DIMENSIONS in mm

			THIRD ANGLE PROJECTION			
			DRAWN BY <i>OM</i> 090606		TITLE CUSTOMER INSTALLATION INSTRUCTIONS AT STYLE-5018 DRIP SHIELD ACSY: EI0191-02	
			ELECTRONIC APPROVAL SIGNATURES MAINTAINED BY MFG ECN LOG		DRAWING No JA0092-02	
0	20323	090606	UNLESS OTHERWISE NOTED DIMENSIONS ARE IN INCHES. TOLERANCES ARE:		REV 0B	B
REV	ECN No	DATE	SCALE NTS	PART No JA0092-02	SHEET 1 OF 1	