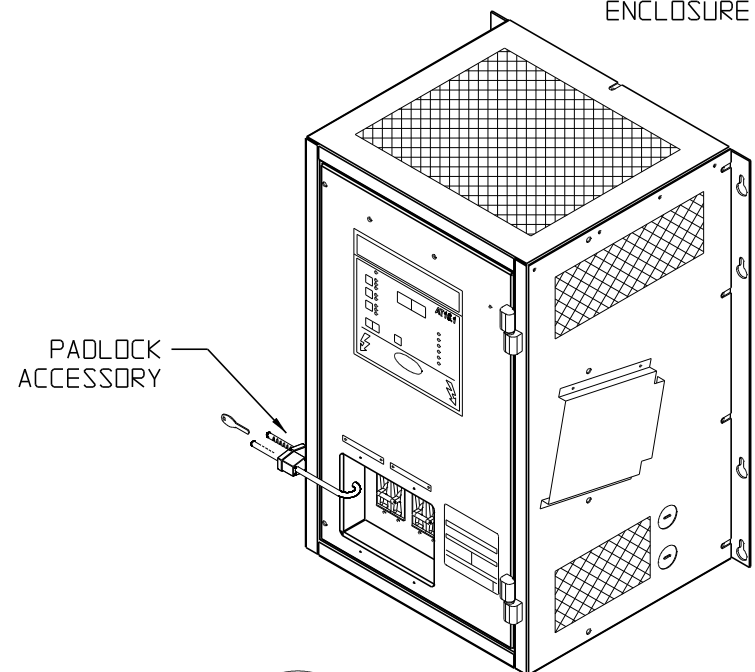
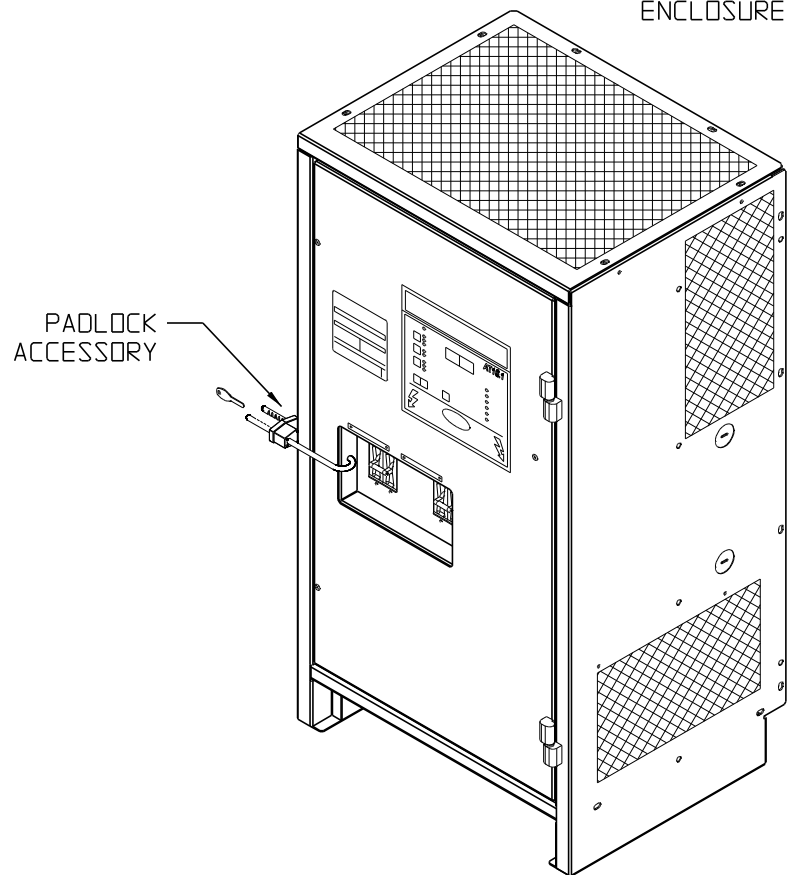


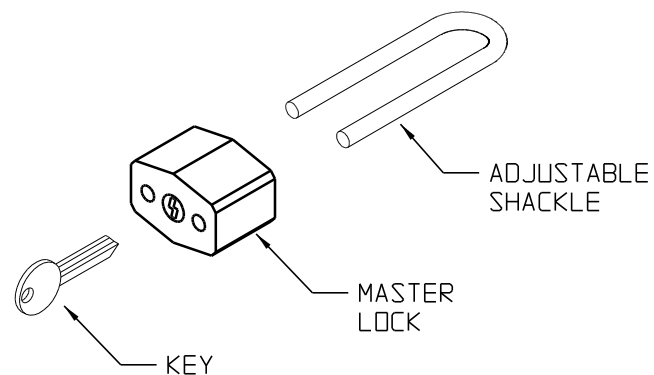
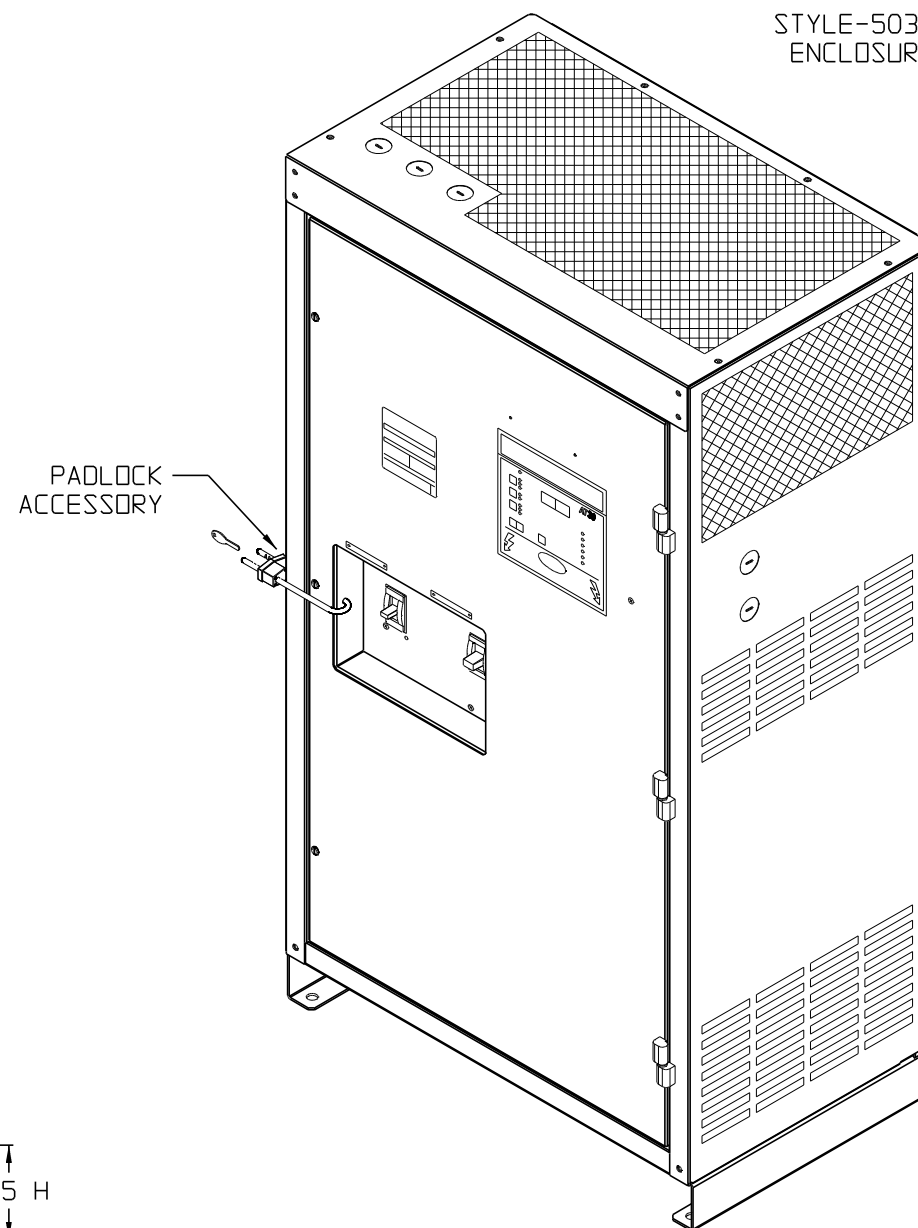
STYLE-5017
ENCLOSURE



STYLE-5018
ENCLOSURE

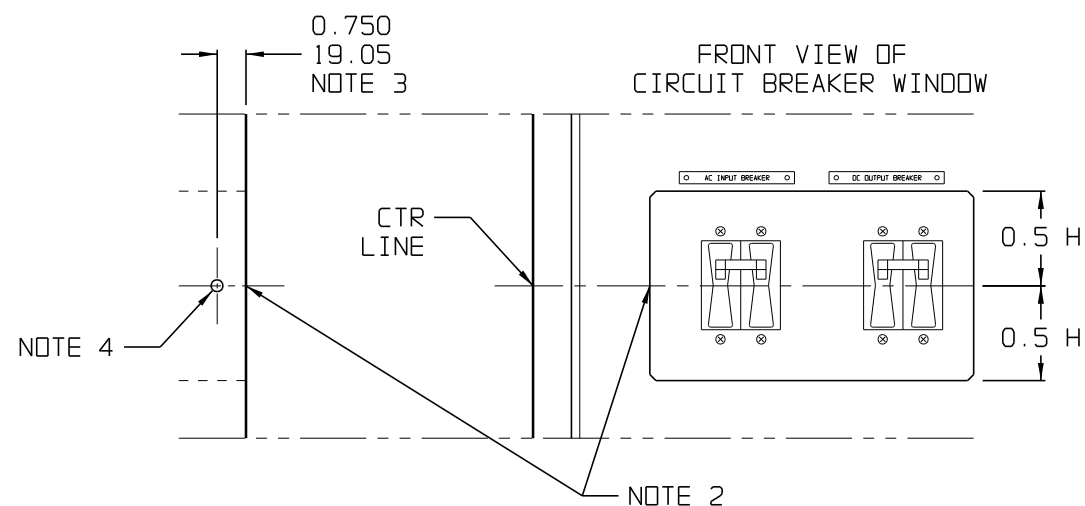


STYLE-5030
ENCLOSURE



RECOMMENDED PROCEDURE:

- 1) DEENERGIZE AND LOCK OUT ALL AC AND DC VOLTAGE SOURCES TO THE AT SERIES BATTERY CHARGER. CHECK WITH A VOLTMETER BEFORE PROCEEDING.
- 2) MARK A SHORT HORIZONTAL LINE ALONG THE FRONT EDGE OF THE LEFT SIDEWALL OF ENCLOSURE, OPPOSITE OF THE VERTICAL CENTER OF THE CIRCUIT BREAKER WINDOW.
- 3) MEASURE 0.75in / 19mm BACK FROM FRONT EDGE OF ENCLOSURE, AND MARK POINT.
- 4) MAKE SURE DOOR IS CLOSED IN NORMAL POSITION WITH PLEXIGLAS AND ALL MOUNTING HARDWARE INSTALLED.
- 5) DRILL OUT 0.312in / 7.9mm DIAMETER PILOT HOLE AS SHOWN. DRILL THROUGH LEFT SIDEWALL, LEFT EDGE OF CLOSED DOOR, AND LEFT EDGE OF CIRCUIT BREAKER CUT-OUT WINDOW FRAME.
- 6) CLEAN OUT METAL FILINGS, AND INSTALL LOCK AS SHOWN ABOVE.
- 7) CHECK YOUR WORK, AND RE-ENERGIZE THE AT CHARGER.



BILL OF MATERIAL: EI0215-01

ITEM NUMBER	PART No.	DESCRIPTION	QUANTITY PER ASSY
①	PE0386-01	MASTER PADLOCK W/ ADJ. SHACKLE	1
	JA0108-01	CUSTOMER INSTRUCTIONS	1

DUAL DIMENSIONS in mm

				THIRD ANGLE PROJECTION		TITLE AT10/1/AT30 SERIES BATT CHGR PADLOCK ACSY CUSTOMER INSTALLATION INSTRUCTIONS	
				DRAWN BY MCR 040209 APPROVED ND 040209	DRAWING No JA0108-01 SCALE NTS		REV 1 B
1	22118	051210	ND	UNLESS OTHERWISE NOTED DIMENSIONS ARE IN INCHES. TOLERANCES ARE:		PART No JA0108-01 SHEET 1 OF 1	
0	21590	040209	ND				
REV	ECN No	DATE	APP				