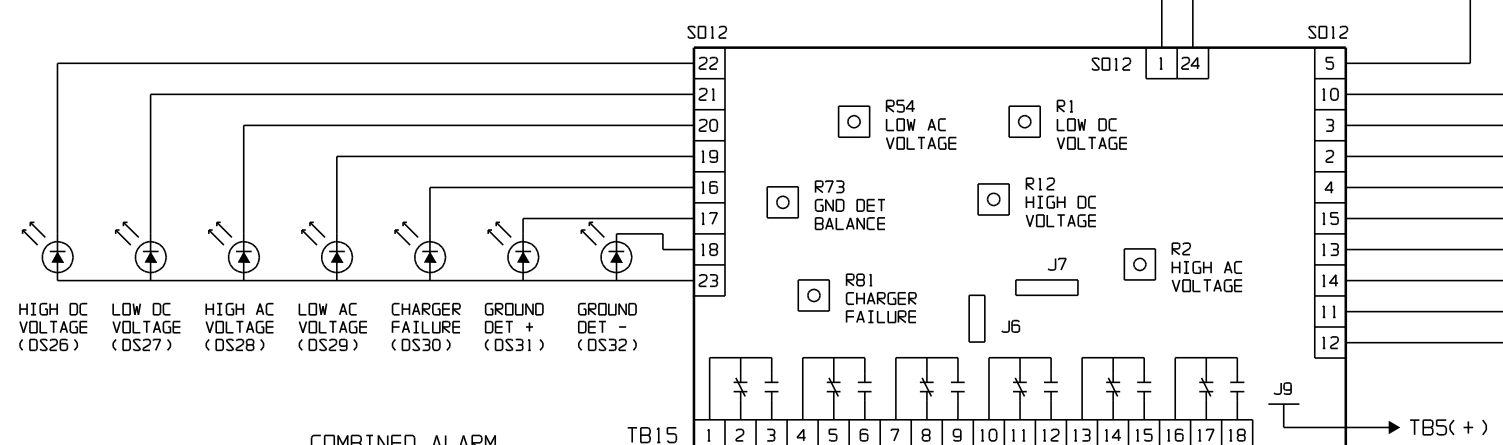
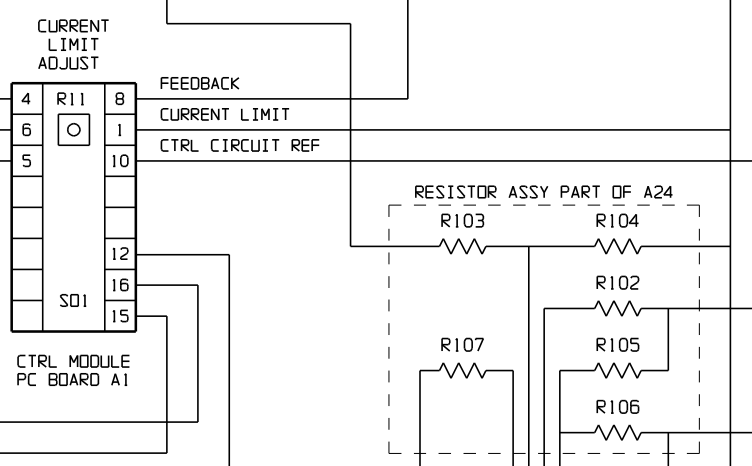
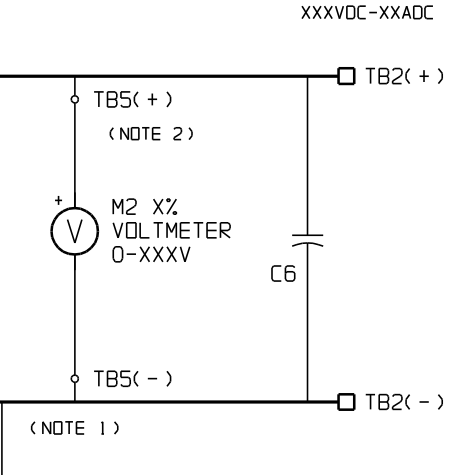
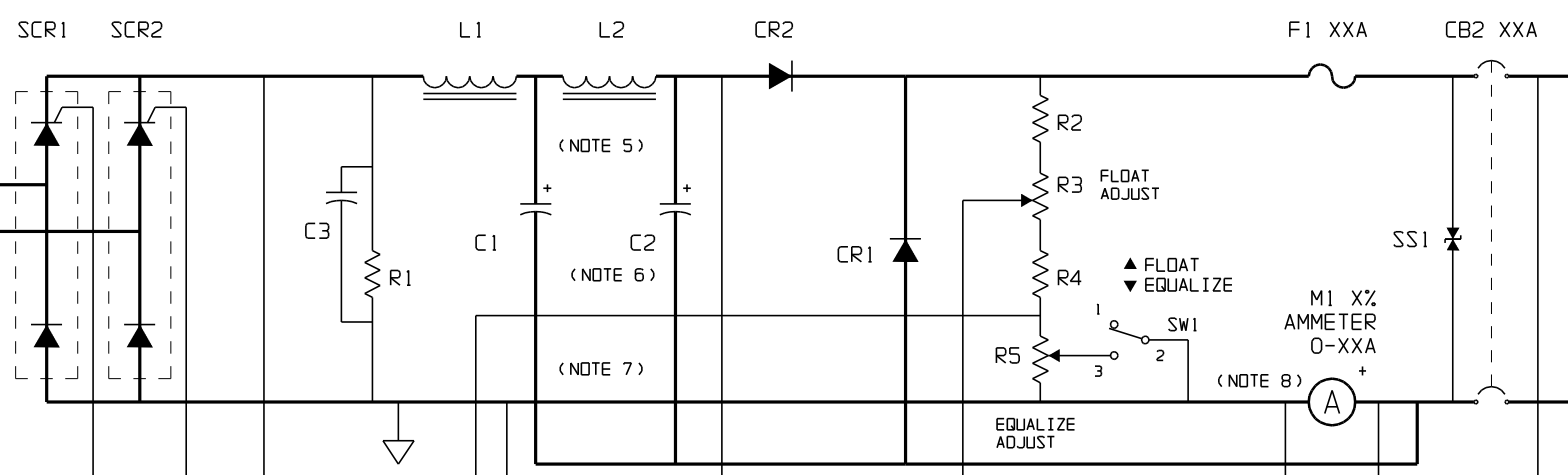
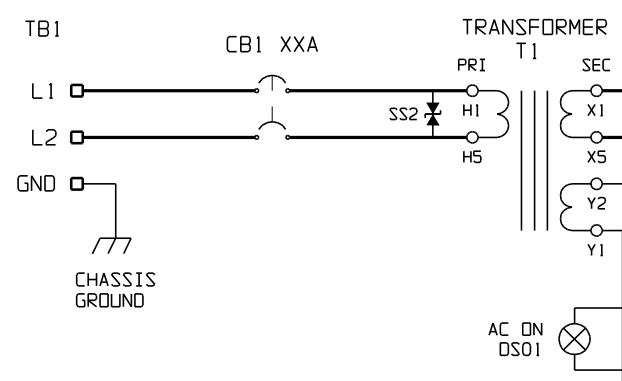
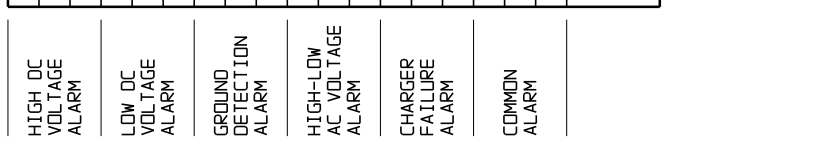


AC INPUT  
XXXV-1Ø-50/60Hz  
X.X kVA



COMBINED ALARM STATUS MONITOR  
PC BOARD ASSY. A24



CUSTOMER ALARM CONTACTS  
(SEE NOTE 2)

- ADDITIONAL NOTES:
- 4) "X" LISTED FOR COMPONENT RATINGS WHICH DIFFER FROM CHARGER TO CHARGER.
  - 5) L2 AND C1 ARE USED FOR FILTERING OF DC OUTPUT (SCR-F TYPE).
  - 6) C2 IS USED FOR ELIMINATOR FILTERING OF DC OUTPUT (SCR-F-E TYPE).
  - 7) C1 AND C2 NEGATIVE SIDE MAY CONNECT TO SYSTEM COMMON (↓).
  - 8) EXTERNAL SHUNT (SH1) IS SUPPLIED IN CHARGERS RATED 50ADC NOMINAL OUTPUT OR GREATER (M1 CONNECTED IN PARALLEL).
  - 9) OPTIONAL DC CIRCUIT BREAKER (CB2) IS SHOWN. IF CB2 IS NOT SUPPLIED, A REDUNDANT DC FUSE (F2) IS SUPPLIED IN THE NEGATIVE OUTPUT LEAD.

- NOTES:
- 1) TB5 IS AN INTERNAL CONNECTION POINT FOR DC POSITIVE AND NEGATIVE SIGNAL WIRING.
  - 2) ALL ALARM CONTACTS SHOWN IN NON-ALARM CONDITION. CONTACT RATING: 0.5A 125VAC/DC RESISTIVE.
  - 3) C1 & C2 MAY CONSIST OF ONE OR MORE INDIVIDUAL CAPACITORS.

		THIRD ANGLE PROJECTION		<b>HINDLEPOWER</b>		1075 Saint John Street Easton, PA 18042-6661 PH 610-330-9000 FAX 610-330-8510 www.hindlepowerinc.com	
DRAWN BY MCR		091803		TITLE SCR/SCRF SERIES BATTERY CHARGER SCHEMATIC: SINGLE PHASE INPUT WITH CASM (EJ0837) OPTION			
APPROVED				DRAWING No		REV 0	
0		E1384		091803		JE5077-00	
REV	ECN No	DATE	APP	SCALE	N.TS	PART No	JE5077-00
				SHEET	1	OF	1