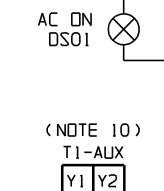
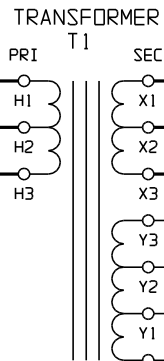
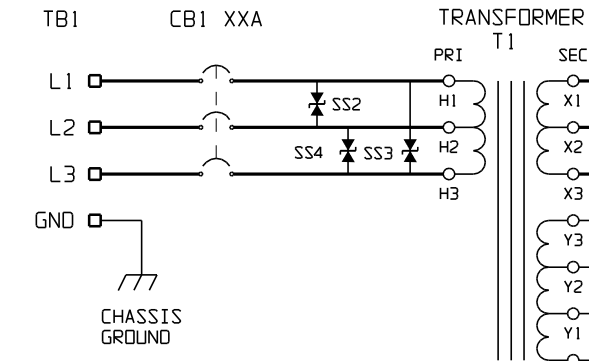
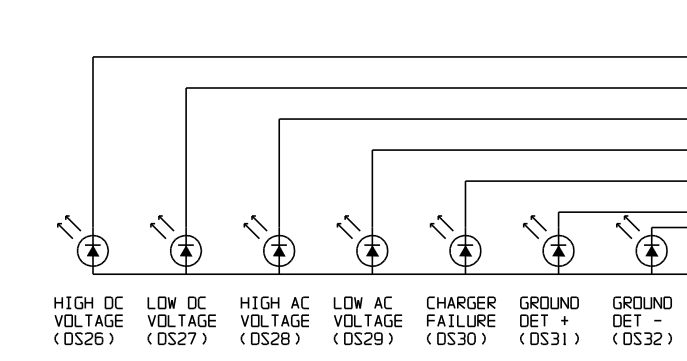
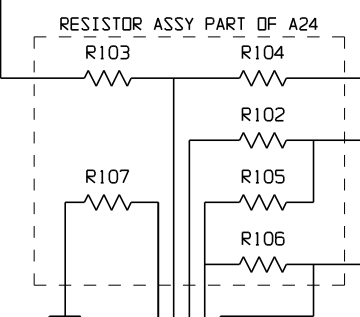
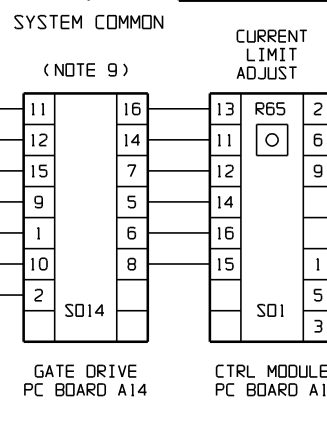
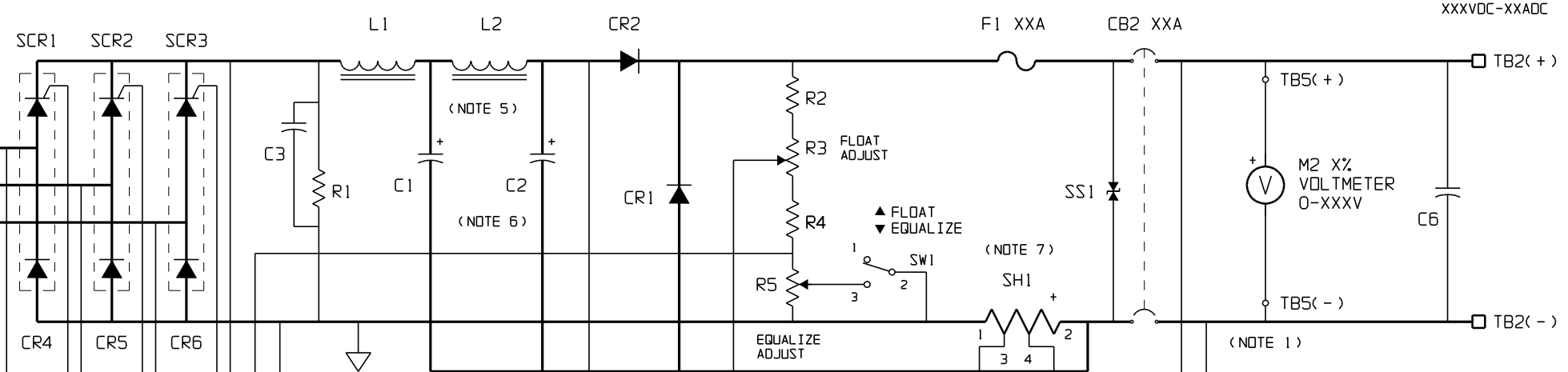


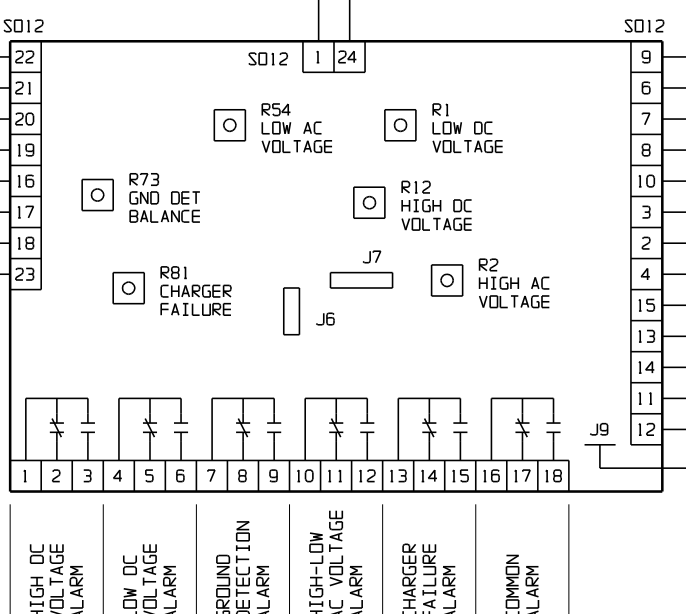
AC INPUT  
XXXV-3Ø-60Hz  
X.X kVA



(NOTE 10)  
T1-AUX  
Y1 Y2



COMBINED ALARM  
STATUS MONITOR  
PC BOARD ASSY. A24



CUSTOMER ALARM CONTACTS  
(SEE NOTE 2)

- NOTES:
- 1) TB5 IS AN INTERNAL CONNECTION POINT FOR DC POSITIVE AND NEGATIVE SIGNAL WIRING.
  - 2) ALL ALARM CONTACTS SHOWN IN NON-ALARM CONDITION. CONTACT RATING: 0.5A 125VAC/DC RESISTIVE.
  - 3) C1 & C2 MAY CONSIST OF ONE OR MORE INDIVIDUAL CAPACITORS.

- ADDITIONAL NOTES:
- 4) "X" LISTED FOR COMPONENT RATINGS WHICH DIFFER FROM CHARGER TO CHARGER.
  - 5) L2 AND C1 ARE USED FOR FILTERING OF DC OUTPUT (SCR-F TYPE).
  - 6) C2 IS USED FOR ELIMINATOR FILTERING OF DC OUTPUT (SCR-F-E TYPE).
  - 7) EXTERNAL SHUNT (SH1) IS NOT USED ON CHARGERS RATED LOWER THAN 50ADC NOMINAL OUTPUT (M1 CONNECTED IN SERIES WITH MAINFRAME).
  - 8) OPTIONAL DC CIRCUIT BREAKER (CB2) IS SHOWN. IF CB2 IS NOT SUPPLIED, A REDUNDANT DC FUSE (F2) IS SUPPLIED IN THE NEGATIVE OUTPUT LEAD.
  - 9) AN AUXILIARY GATE DRIVE MODULE (A14) IS USED ONLY ON CHARGERS RATED 175ADC NOMINAL OUTPUT OR GREATER (SEE DRAWING EH0617-00).
  - 10) AUXILIARY CONTACTS (T1-AUX) FOR THE MAIN POWER TRANSFORMER (T1) ARE FEATURED IN CHARGERS SUPPLIED IN LARGER CABINET SIZES.

		THIRD ANGLE PROJECTION		<b>HINDLEPOWER</b>		1075 Saint John Street Easton, PA 18042-6661 PH 610-330-9000 FAX 610-330-8510 www.hindlepowerinc.com	
		DRAWN BY MCR 091803		TITLE SCR/SCRF SERIES BATTERY CHARGER SCHEMATIC: THREE PHASE INPUT WITH CASM (EJ0837) OPTION			
		APPROVED		DRAWING No		REV 0 B	
0 E1384 091803		UNLESS OTHERWISE NOTED DIMENSIONS ARE IN INCHES. TOLERANCES ARE:		JE5079-00		SCALE NTS PART No JE5079-00 SHEET 1 OF 1	
REV	ECN No	DATE	APP				