

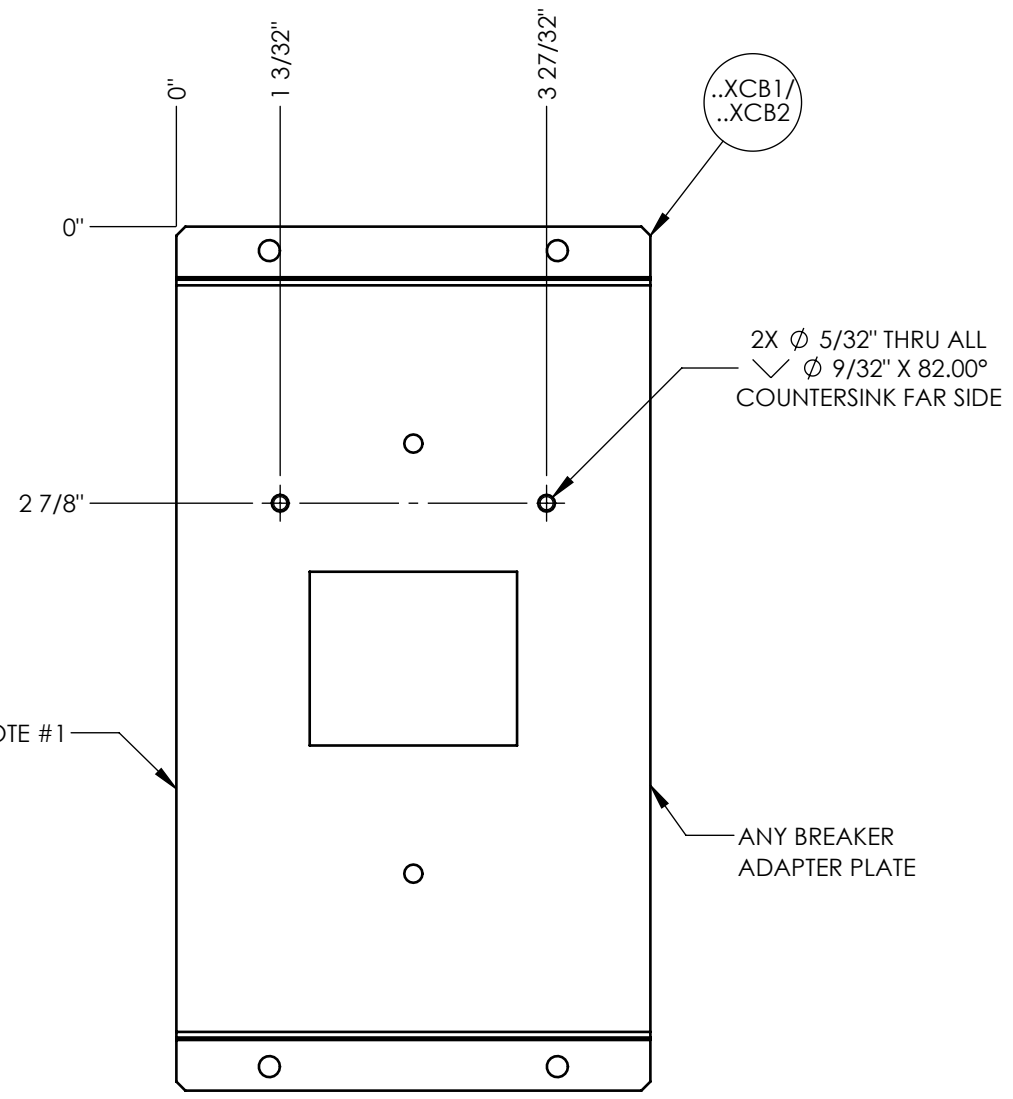
8 7 6 5 4 3 2 1

D

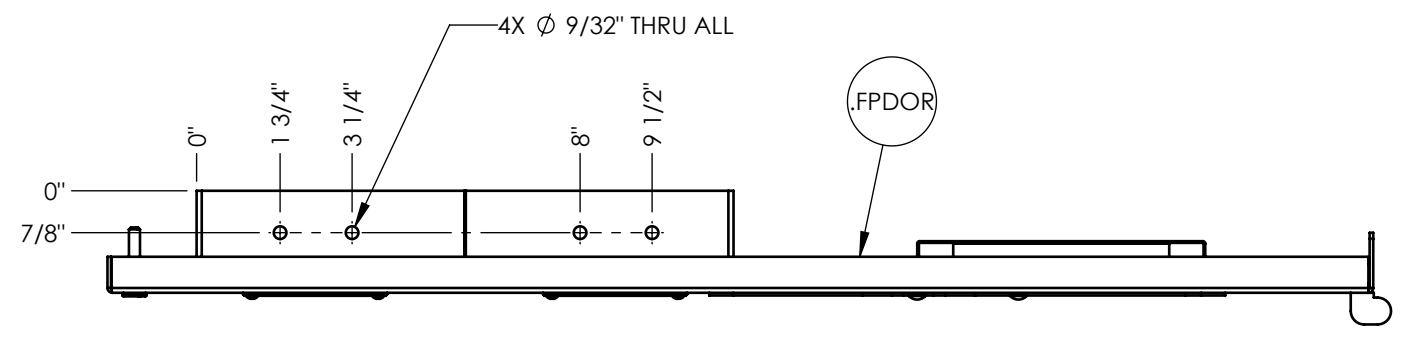
C

B

A



FRONT VIEW
ADAPTER PLATE MOD



TOP VIEW
DOOR MOD

NOTES:
1. USE JIG EG5059-10 TO HELP MODIFY ADAPTER PLATE. JIG IS MADE FOR ST-5070 ADAPTER PLATES BUT CAN BE USED WITH ST-5030 ADAPTER PLATES IF CENTERED PROPERLY IN JIG AND CLAMPED IN PLACE.

C:\Hindle Vault\Parts Directory\E - Assemblies\EI - Mechanical Assemblies\EI5136\EI5136-03

REV: 0	DRN BY: MS	CHK BY: K/B	APP BY: ND	DATE: 5/1/2024	DATE: 5/1/2024
DESCRIPTION: Initial Release				DATE: 5/13/2024	TITLE: KIT, I-LOCK, BKR/DOOR, EV2/3, ST-5030
<small>UNLESS OTHERWISE SPECIFIED ALL DIMENSIONS FOLLOW THE ANSI SYSTEM IPS (INCHES-POUNDS & SECONDS) TOLERANCES ARE: FRAC. ±1/64, DEC. ±0.15, ANG ±.25°</small>				<small>PROPRIETARY AND CONFIDENTIAL NOTICE ANY REPRODUCTION, PARTIAL OR AS A WHOLE OF THIS DOCUMENT WITHOUT THE WRITTEN PERMISSION OF HINDLE POWER, INC IS STRICTLY PROHIBITED.</small>	



KIT, I-LOCK, BKR/DOOR, EV2/3, ST-5030

B SCALE 1:2 DWG No **EI5136-03** REV 0 SHEET 1 OF 2

8 7 6 5 4 3 2 1

8

7

6

5

4

3

2

1

D

D

C

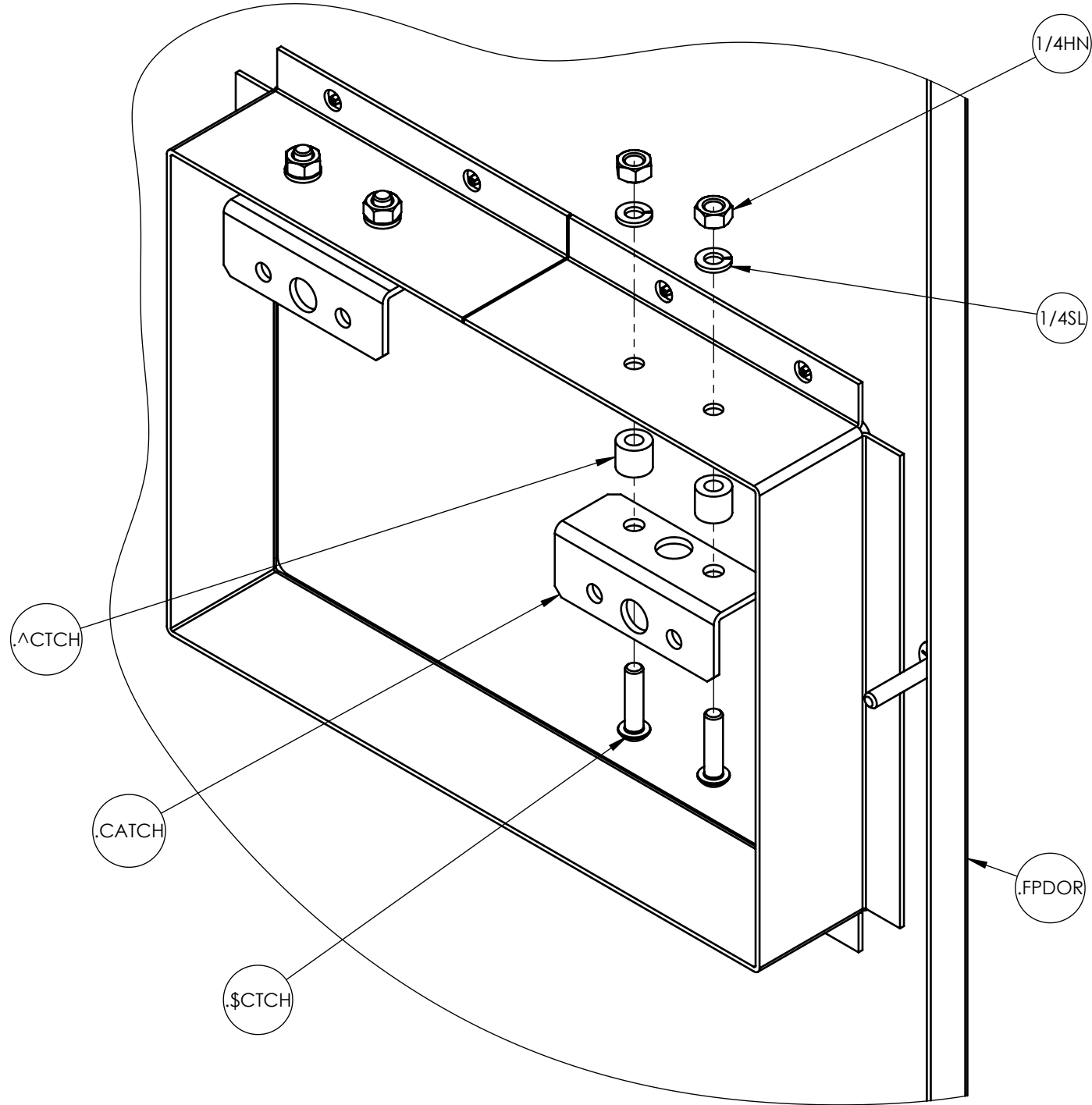
C

B

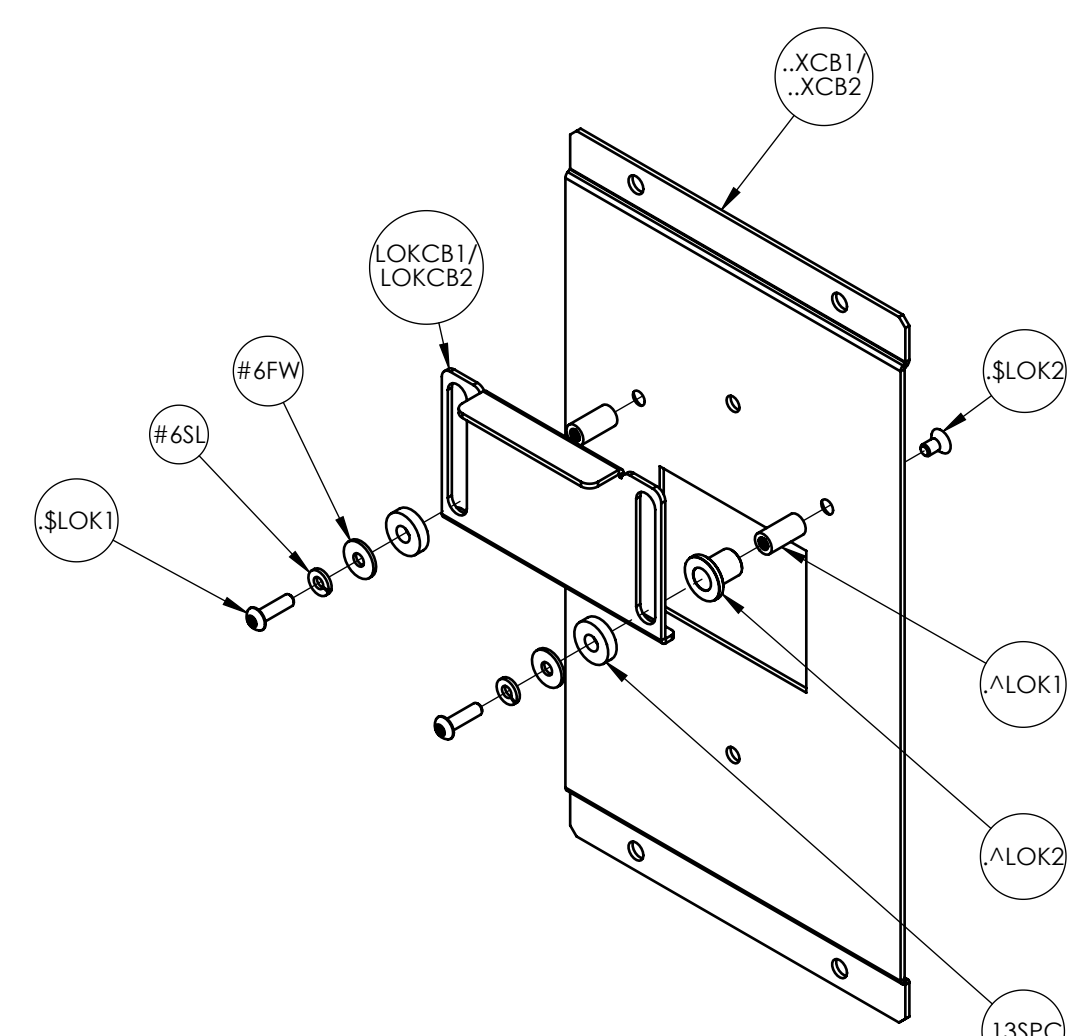
B

A

A





ISO VIEW
DOOR ASSY.



ISO VIEW
ADAPTER PLATE ASSY.

C:\Hindle Vault\Parts Directory\E - Assemblies\EI - Mechanical Assemblies\EI5136\EI5136-03

REV: 0	DRN BY: MS	CHK BY: K/B	APP BY: ND	DATE: 5/1/2024	DATE: 5/1/2024
DESCRIPTION: Initial Release				DATE: 5/13/2024	
<small>UNLESS OTHERWISE SPECIFIED ALL DIMENSIONS FOLLOW THE ANSI SYSTEM IPS (INCHES-POUNDS & SECONDS) TOLERANCES ARE: FRAC. ±1/64, DEC. ±0.15, ANG ±.25°</small>				TITLE: KIT,I-LOCK,BKR/DOOR,EV2/3,ST-5030	
<small>PROPRIETARY AND CONFIDENTIAL NOTICE ANY REPRODUCTION, PARTIAL OR AS A WHOLE OF THIS DOCUMENT WITHOUT THE WRITTEN PERMISSION OF HINDLE POWER, INC IS STRICTLY PROHIBITED.</small>				 HINDLEPOWER	
		B SCALE 1:2		DWG No EI5136-03	
				REV: 0	SHEET 2 OF 2

8

7

6

5

4

3

2

1