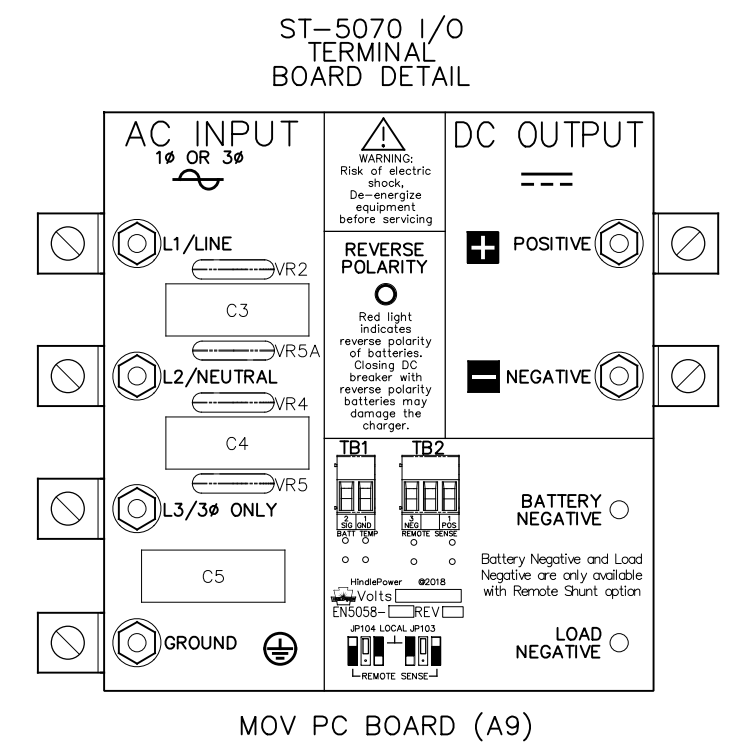
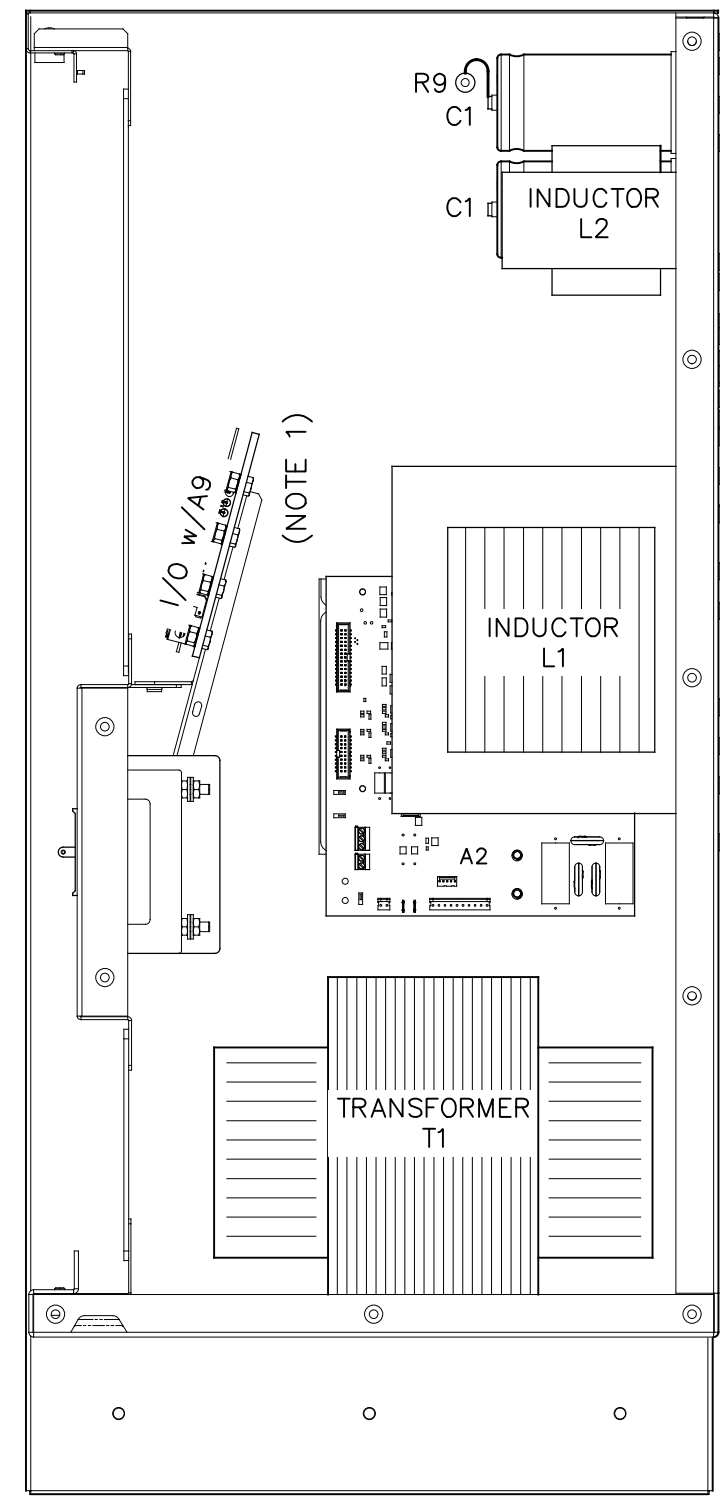
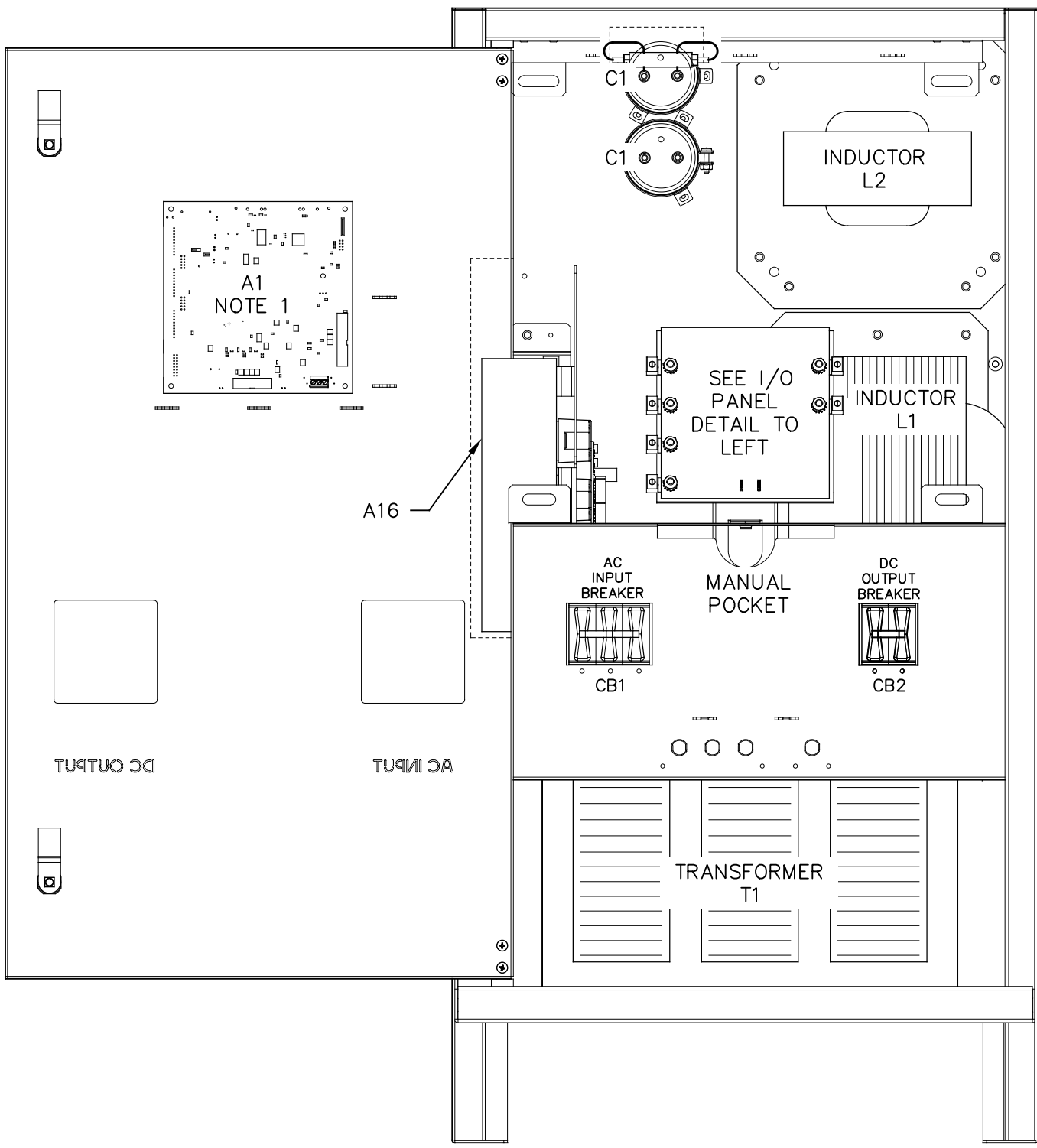


- NOTES:
- ENCLOSURE IS A NEMA TYPE 1 / IP20 TOP-VENTED STEEL CABINET WITHOUT GASKETS. FINISH IS ANSI-61 GRAY EPOXY POWDERCOAT.
 - ALLOW 6in / 152mm OF FREE AIR ON ALL VENTED SURFACES (TOP, SIDES & REAR) FOR COOLING.
 - DATA NAMEPLATE (WITH CHARGER RATINGS) MOUNTED ON DOOR.
 - FOUR (4) 0.5in / 12mm FLOOR-MOUNTING HOLES AND FOUR (4) 1in x 0.625in / 25mm x 16mm FLOOR-MOUNTING SLOTS ARE PROVIDED ON BOTTOM OF ENCLOSURE AS SHOWN.
 - FOUR (4) 1.31in / 33mm DIA STANDARD PRE-FAB KEY-SLOT KNOCKOUTS ARE PROVIDED AS SHOWN FOR 1in / 25mm CONDUIT ENTRY. IF ADDITIONAL CONDUIT ENTRANCES ARE REQUIRED, ENCLOSURE SHOULD BE FIELD-MODIFIED BY INSTALLER.
 - BATTERY CHARGER SHIPPING WEIGHT: APPROXIMATELY TBD lbs / TBD kg
 - OPTIONAL GROUND BUS BAR WITH 0.41 in / 10.41 mm DIA HOLE.

DUAL DIMENSIONS [mm]

REV. 0	DRN BY KJB	CHK BY MCR	APP BY RDB	DATE 11/05/19	DRN BY KJB	DATE 11/05/19	TITLE ATEVO 3PH BATTERY CHARGER OUTLINE: NEMA-1 STYLE-5070 ENCL
DESCRIPTION STANDARD DRAWINGS.					CHK BY MCR	DATE 11/05/19	
					APP BY RDB	DATE 11/05/19	
							B SCALE NTS DWG No JE5331-00 REV 0 SHEET 1 OF 1

SYM STANDARD COMPONENT DESCRIPTION	
A1	MAIN CONTROL PC BOARD
A2	POWER BOARD
A16	RECTIFIER H/S ASSEMBLY
C1	FILTER CAPACITOR
A9	MOV PC BOARD
CB1	AC INPUT CIRCUIT BREAKER (CD3)
CB2	DC OUTPUT CIRCUIT BREAKER (CD2)
L1	MAIN INDUCTOR
L2	FILTER INDUCTOR
T1	POWER TRANSFORMER



I/O TERMINAL	DESCRIPTION - TYPE	CONNECTION
I/O (+/-)	POS/NEG OUTPUT TERMINALS - CU-ALUMINUM COMPRESSION LUG	#14-1/0 AWG
GND LUG	USER GROUND TERMINAL - CU-ALUMINUM COMPRESSION LUG	#14-1/0 AWG
I/O (L1/L2)	AC INPUT TERMINALS - CU-ALUMINUM COMPRESSION LUG	#14-1/0 AWG
(A1) TB6	SUMMARY ALARM TERMINAL BLOCK (A1) - SOLDERLESS COMPRESSION SCREW	#22-14 AWG
(A2) TB1	POS/NEG REMOTE SENSE TERMS (A2) - SOLDERLESS COMPRESSION SCREW	#22-14 AWG
(A2) TB8	TEMPCO PROBE (A10) TERM BLK - SOLDERLESS COMPRESSION SCREW	#22-14 AWG

NOTES:
 1. FOR DETAIL VIEWS OF ALL PC BOARDS (A1, A2, etc.) SEE DRAWING JE5213 - JE5333-20, 30

REV. DRN BY B KJB	CHK BY MCR	APP BY RDB	DATE 9/21/2020	DRN BY KJB	DATE 11/05/19
DESCRIPTION STANDARD DRAWINGS.				CHK BY MCR	DATE 11/05/19
				APP BY MCR	DATE 11/05/19

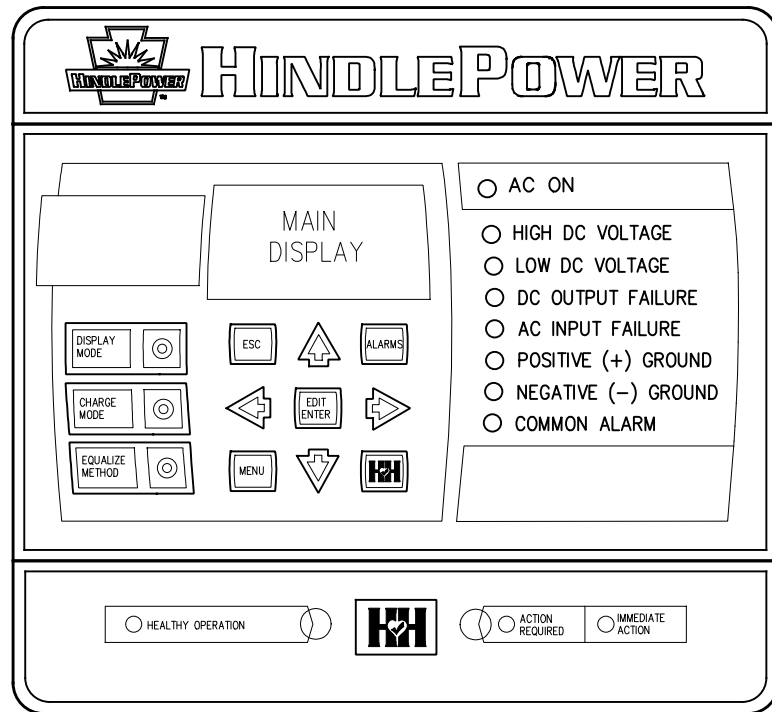
1075 Saint John Street
 Easton, PA 18042-6661
 PH 610-330-9000 FAX 610-330-8510
 www.hindlepowerinc.com

HINDLEPOWER

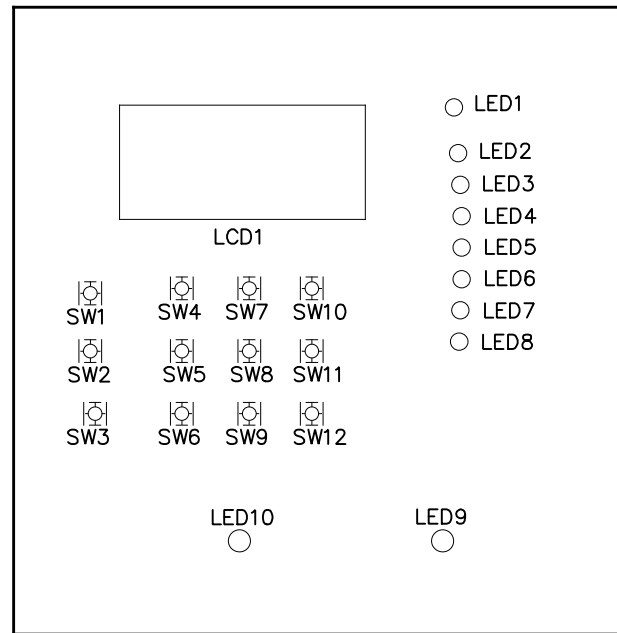
**ATEVO 3PH BATTERY CHARGER
 INTERNAL COMPONENT LAYOUT: STYLE-5070
 3Ø W/O OPTIONS 75-100A**

B SCALE DWG No
 NTS JE5332-20

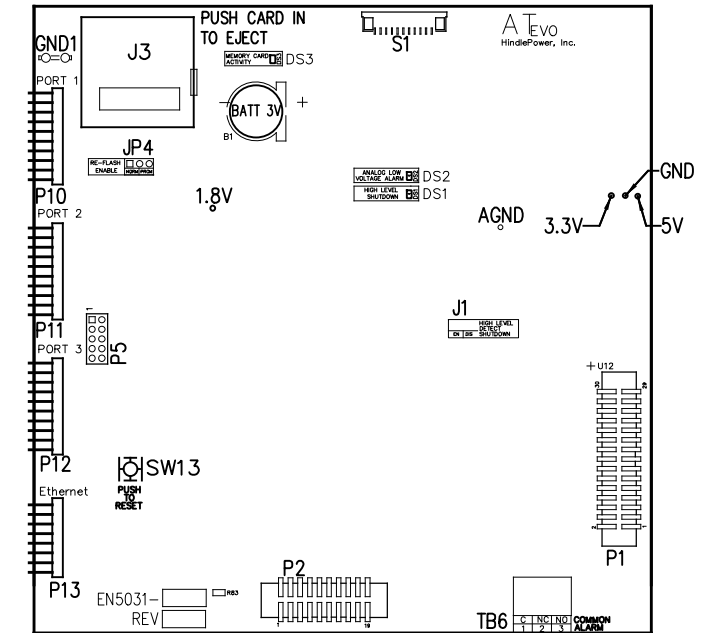
REV B SHEET 1 OF 1



CONTROL PANEL
(PART No. FK5047-00)



MAIN CONTROL PC BOARD (A1)
FRONT VIEW – FACING CHARGER DOOR WHEN INSTALLED



MAIN CONTROL PC BOARD (A1)
BACK VIEW – FACING CHARGER COMPONENTS WHEN INSTALLED

NOTE: ALL ALARM CONTACTS ARE ENERGIZED WHEN IN THE NON-ALARM STATE (FAIL SAFE). ALL ALARM CONTACTS WILL CHANGE STATE WHEN CHARGER IS POWERED DOWN. CONTACT RATING IS 0.5A @ 125VAC/VDC RESISTIVE.

MAIN CONTROL PC BOARD (A1)

INDICATOR LIGHTS (LEDs):

- LED1 – GREEN – AC ON
- LED2 – RED – HIGH DC VOLTAGE ALARM
- LED3 – RED – LOW DC VOLTAGE ALARM
- LED4 – RED – DC OUTPUT FAILURE ALARM
- LED5 – RED – AC INPUT FAILURE ALARM
- LED6 – RED – POSITIVE (+) GROUND ALARM
- LED7 – RED – NEGATIVE (-) GROUND ALARM
- LED8 – RED – COMMON ALARM
- LED9 – RED – ACTION REQUIRED ALARM
- LED10 – GREEN – HEALTHY OPERATION
- DS1 – RED – HIGH LEVEL SHUTDOWN (HLD)
- DS2 – RED – ANALOG LOW VOLTAGE ALARM (LLD)
- DS3 – RED – MEMORY CARD ACTIVITY

JUMPERS:

- J1 – ANALOG HIGH VOLTAGE SHUTDOWN JUMPER
- J3 – SD CARD PORT
- JP4 – RE-FLASH (FIELD PROGRAMMING) JUMPER
- TERMINAL BLOCKS:
- TB6 – COMMON ALARM RELAY CONTACTS
- TEST POINTS:
- 1.8V – 1.8 VOLTS
- 3.3V – 3.3 VOLTS
- 5V – 5.0 VOLTS
- GND – GROUND
- AGND – ANALOG GROUND
- SDA – MAIN BOARD I2C DATA
- SCL – MAIN BOARD I2C CLOCK

SWITCHES:

- S1 – DISPLAY BUTTON
- S2 – CHARGE MODE BUTTON
- S3 – EQUALIZE METHOD BUTTON
- S4 – ESCAPE (ESC) BUTTON
- S5 – LEFT ARROW BUTTON
- S6 – MENU BUTTON
- S7 – UP ARROW BUTTON
- S8 – EDIT / ENTER BUTTON
- S9 – DOWN ARROW BUTTON
- S10 – ALARM BUTTON
- S11 – RIGHT ARROW BUTTON
- S12 – HINDLE HEALTH (HHS) BUTTON
- SW13 – SYSTEM RESET BUTTON (BACK OF BOARD)

CONNECTORS:

- P1 – POWER BOARD RIBBON
- P2 – 3 PHASE RECTIFIER RIBBON
- P3 – USB EXPANSION PORT
- P4 – SPI & I2C EXPANSION PORT #1
- P5 – SPI & I2C EXPANSION PORT #2
- P6 – DISPLAY SPI PORT
- P7 – DISPLAY JTAG PORTS
- P10 – SERIAL INTERFACE PORT #1
- P11 – SERIAL INTERFACE PORT #2
- P12 – SERIAL INTERFACE PORT #3
- P13 – ETHERNET INTERFACE PORT
- P17 – GENERAL EXPANSION PORT

I/O TERMINAL	DESCRIPTION – TYPE	CONNECTION
(A1) TB6	SUMMARY ALARM TERMINAL BLOCK (A1) – SOLDERLESS COMP SCREW	#22-14 AWG

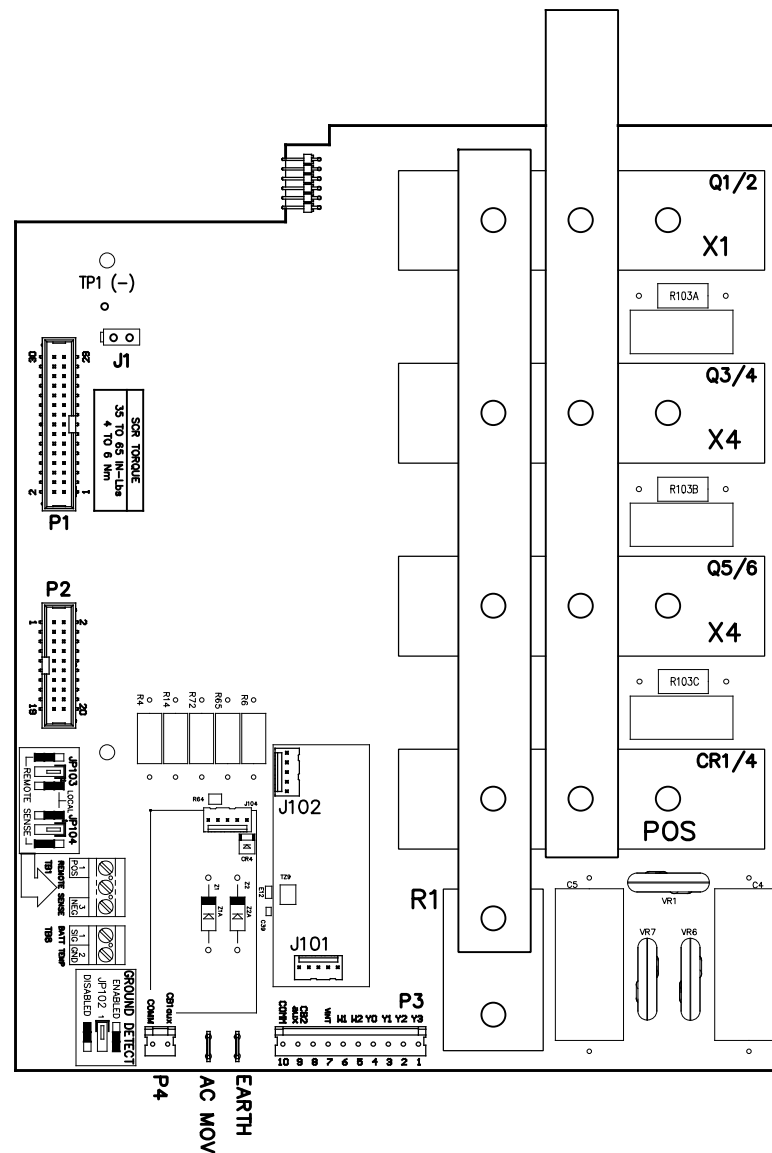
REV. 0	DRN BY KJB	CHK BY MCR	APP BY MCR	DATE 7/22/2021	DRN BY KJB	DATE: 4/17/2021
DESCRIPTION				CHK BY MCR	DATE: 4/17/2021	
STANDARD DRAWINGS.				APP BY MCR	DATE: 4/17/2021	

1075 Saint John Street
Easton, PA 18042-6661
PH 610-330-9000 FAX 610-330-8510
www.hindlepowerinc.com

HINDLEPOWER

**ATEVO 3PH BATTERY CHARGER
CONTROL PANEL / PC BOARD DETAIL
3Ø W/O OPTIONS 75-100A**

B SCALE DWG No. **JE5333-20** REV 0 SHEET 1 OF 2



USER TERMINALS ON POWER BOARD (A2):

- TB1 – REMOTE VOLTAGE SENSE
- TB8 – BATTERY TEMPERATURE COMPENSATION

JUMPERS ON POWER BOARD (A2):

- JP102 – GROUND DETECT CIRCUIT ENABLE / DISABLE
- JP103 – REMOTE OR LOCAL SENSE SELECTOR (+)
- JP104 – REMOTE OR LOCAL SENSE SELECTOR (-)

CONNECTORS ON POWER BOARD (A2):

- J1 – POWER OUT
- J101 – DC POWER SUPPLY
- J102 – DC POWER SUPPLY
- J104 – BATTERY SHUNT
- J105 – AUXILIARY I/O BOARD
- P1 – MAIN CONTROL BOARD RIBBON 1
- P2 – MAIN CONTROL BOARD RIBBON 2
- P3 – Wx, Yx, CB2-AUX, VINT
- P4 – CB1-AUX

DISCRETE TERMINALS:

- AC MOV – CHASSIS EARTH GROUND
- EARTH – CHASSIS EARTH GROUND (DOOR)
- POS – POSITIVE CONNECTION POINT
- NEG – NEGATIVE CONNECTION POINT
- COMM – BREAKER AUX SWITCH COMMON
- X1 – TRANSFORMER SECONDARY WINDING
- X2 – TRANSFORMER SECONDARY WINDING
- X3 – TRANSFORMER SECONDARY WINDING
- L1-1 – FILTER INDUCTOR #1 (TERMINAL #1)
- L1-2 – FILTER INDUCTOR #1 (TERMINAL #2)

TEST POINTS ON POWER BOARD (A2):

- TP1 – PRE-FILTERED DC BUS (-)
- TP2 – PRE-FILTERED DC BUS (+)
- TP3 – DC BUS (-)
- TP4 – DC BUS (+)

NOTE:

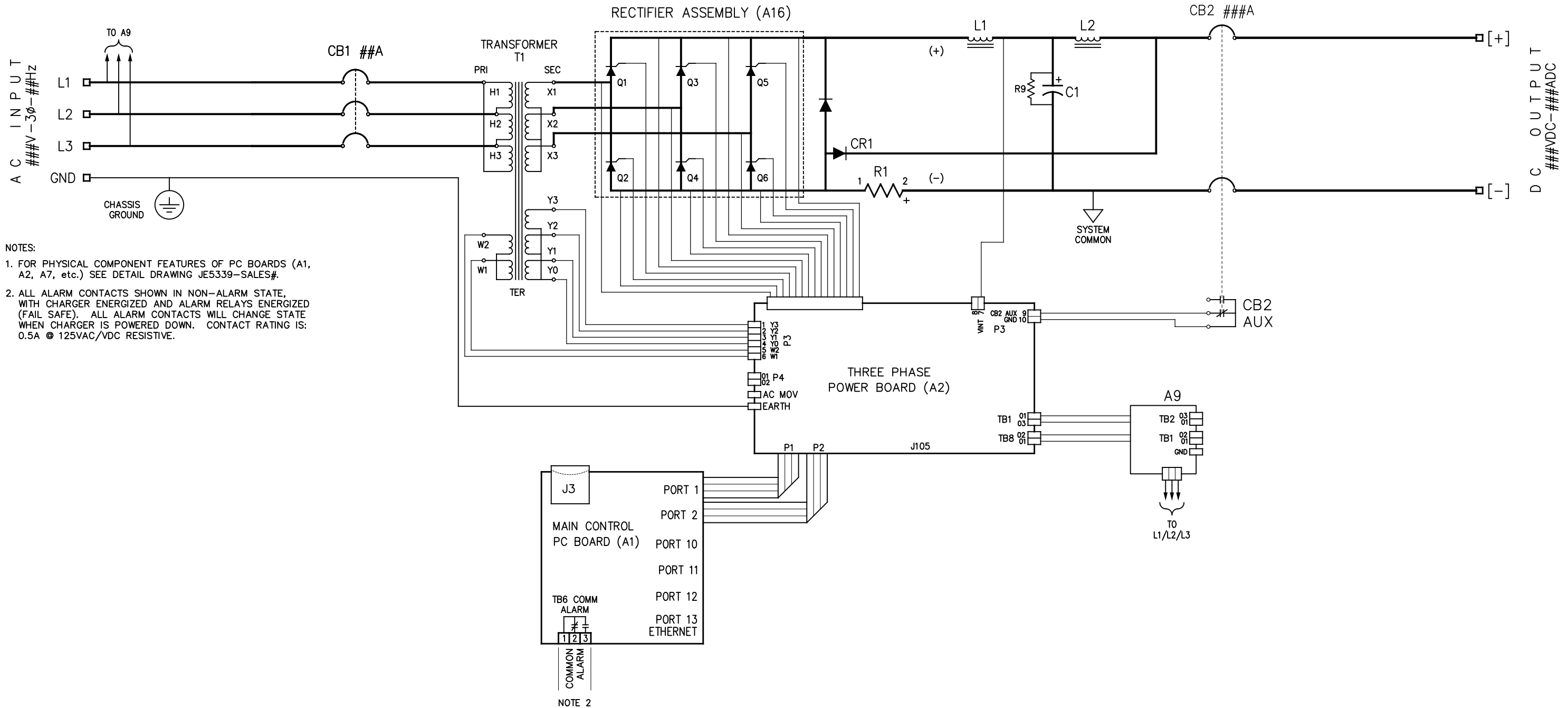
1. REMOTE SENSE JUMPERS (JP103, JP104) MUST BE IN REMOTE SENSE POSITION IN STYLE-5070 ENCLOSURE.

I/O TERMINAL	DESCRIPTION – TYPE	CONNECTION
(A2) TB1	POS/NEG REMOTE SENSE TERMS (A2) – SOLDERLESS COMPRESSION SCREW	#22-14 AWG
(A2) TB8	TEMPCO PROBE (A10) TERM BLK – SOLDERLESS COMPRESSION SCREW	#22-14 AWG

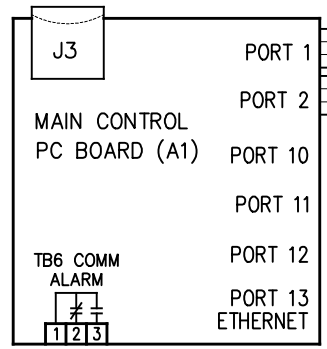
1075 Saint John Street
Easton, PA 18042-6661
PH 610-330-9000 FAX 610-330-8510
www.hindlepowerinc.com

TITLE ATEVO 3PH BATTERY CHARGER
INSTRUMENT PANEL / PC BOARD DETAIL
3Ø W/O OPTIONS 75-100A

B	SCALE NTS	DWG No JE5333-20	REV 0	SHEET 2 OF 2
----------	--------------	---------------------	----------	-----------------

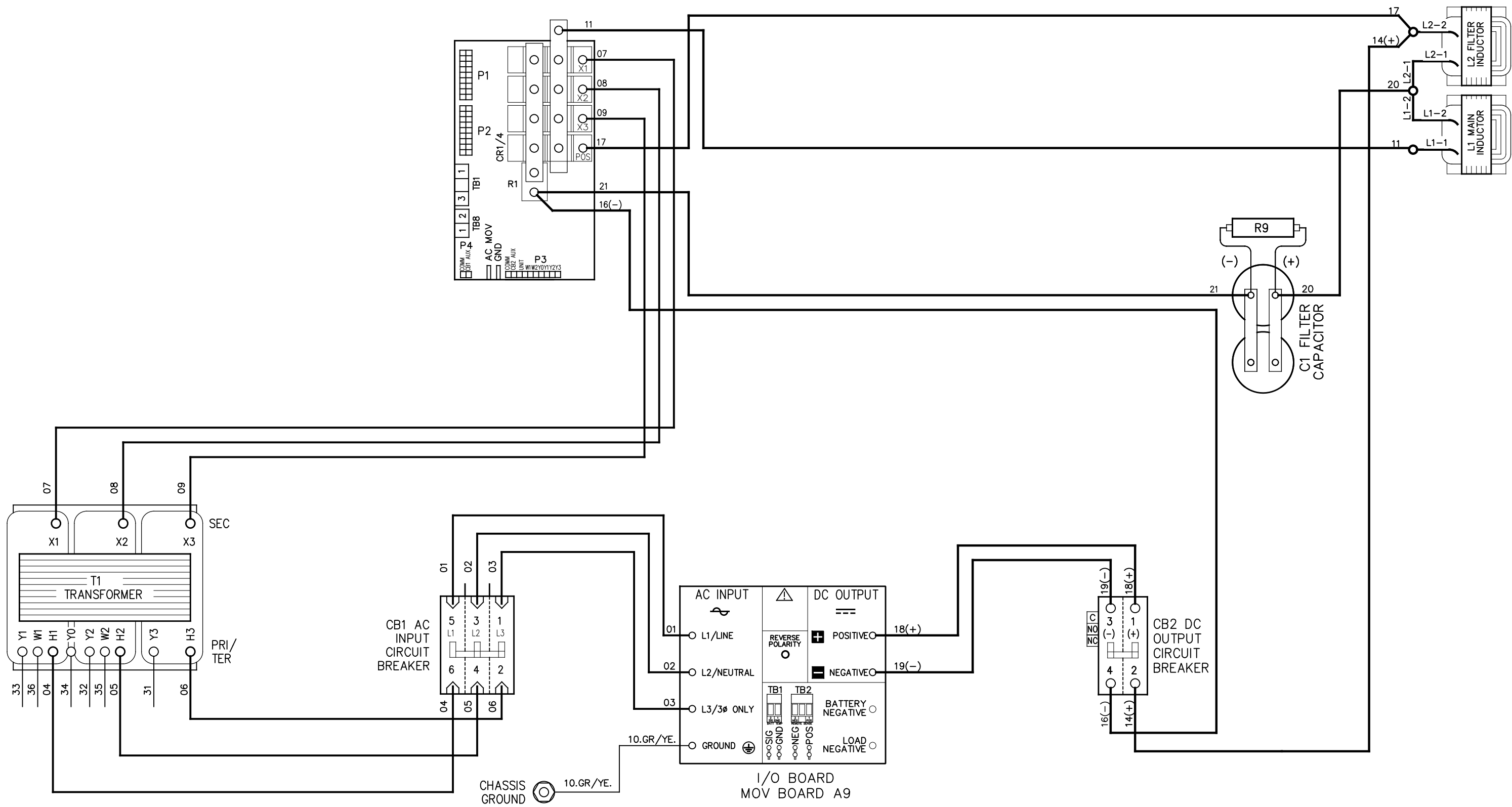


- NOTES:
1. FOR PHYSICAL COMPONENT FEATURES OF PC BOARDS (A1, A2, A7, etc.) SEE DETAIL DRAWING JE5339-SALES#.
 2. ALL ALARM CONTACTS SHOWN IN NON-ALARM STATE, WITH CHARGER ENERGIZED AND ALARM RELAYS ENERGIZED (FAIL SAFE). ALL ALARM CONTACTS WILL CHANGE STATE WHEN CHARGER IS POWERED DOWN. CONTACT RATING IS: 0.5A @ 125VAC/VDC RESISTIVE.



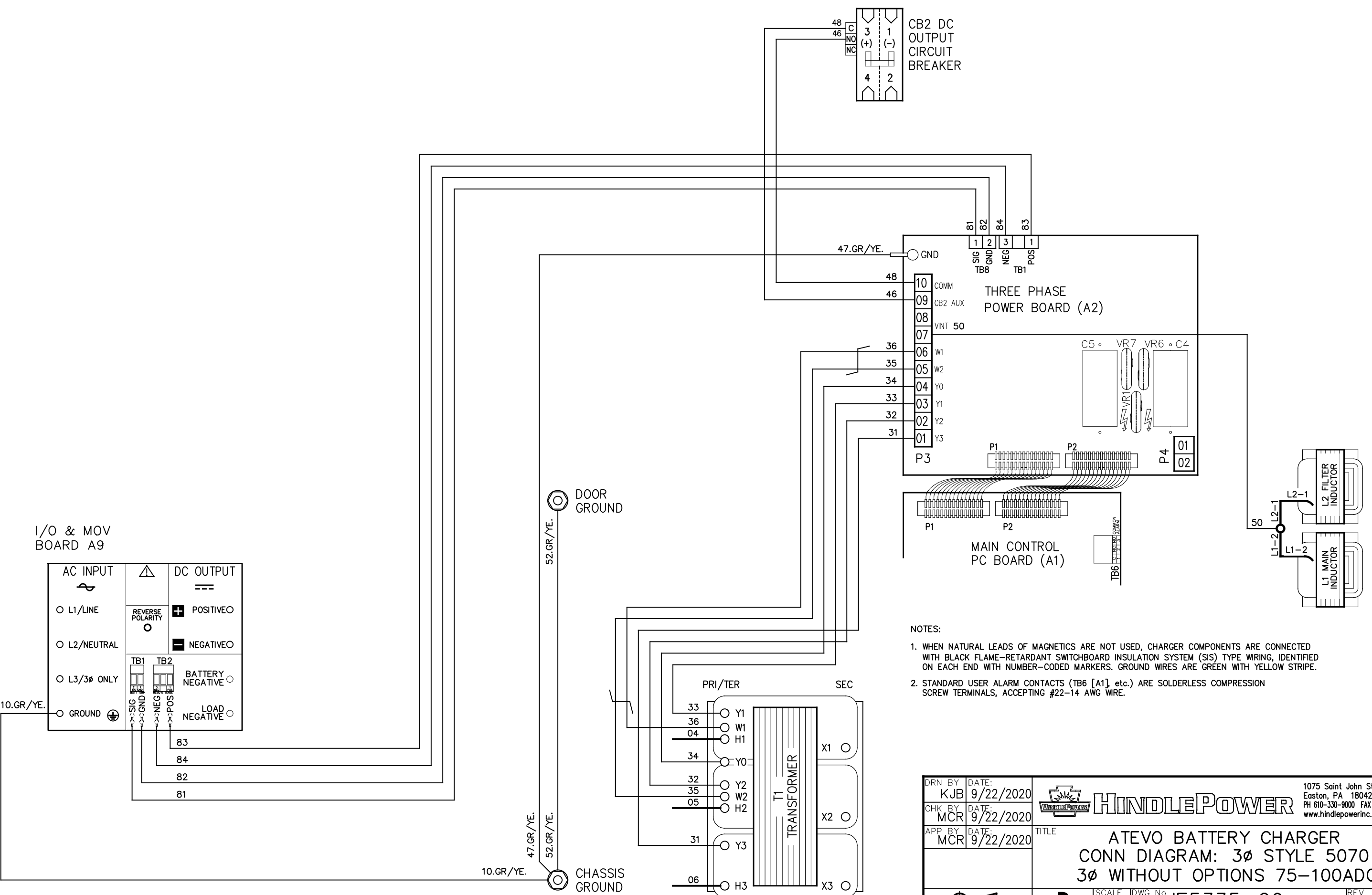
NOTE 2

REV. DRN BY B KJB	CHK BY MCR	APP BY MCR	DATE 9/22/2020	DRN BY KJB	DATE 2/6/2020	HINDLEPOWER 1075 Saint John Street Easton, PA 18042-6661 PH 610-330-9000 FAX 610-330-8510 www.hindlepowerinc.com
DESCRIPTION STANDARD DRAWINGS.				CHK BY MCR	DATE 2/6/2020	
				APP BY MCR	DATE 2/6/2020	
TITLE ATEVO BATTERY CHARGER SCHEMATIC: 3φ STYLE 5070 3φ WITHOUT OPTIONS 75-100ADC						
SCALE NTS		DWG No JE5334-20		REV 0	SHEET 1 OF 1	



- NOTES:
1. WHEN NATURAL LEADS OF MAGNETICS ARE NOT USED, CHARGER COMPONENTS ARE CONNECTED WITH BLACK FLAME-RETARDANT SWITCHBOARD INSULATION SYSTEM (SIS) TYPE WIRING, IDENTIFIED ON EACH END WITH NUMBER-CODED MARKERS. GROUND WIRES ARE GREEN WITH YELLOW STRIPE.
 2. THIS DRAWING (SHEET 1) SHOWS THE MAINFRAME POWER WIRING AND USER CONNECTION CONTACTS TO CONTROL PC BOARDS (A1 & A2). SEE SHEET 2 FOR ALL CONTROL (SIGNAL) WIRING.

REV. DRN BY	CHK BY	APP BY	DATE	DRN BY	DATE	 HINDLEPOWER 1075 Saint John Street Easton, PA 18042-6661 PH 610-330-9000 FAX 610-330-8510 www.hindlepowerinc.com
D	KJB	MCR	6/8/2021	KJB	9/22/2020	
DESCRIPTION				CHK BY	DATE	
REVISED SIGNAL WIRING.				MCR	9/22/2020	TITLE
				APP BY	DATE	ATEVO BATTERY CHARGER CONN DIAGRAM: 3Ø STYLE 5070 3Ø WITHOUT OPTIONS 75-100ADC
				MCR	9/22/2020	
			⊙	SCALE	DWG No	REV
			NTS	B	JE5335-20	D
						SHEET
						1 OF 2



- NOTES:
1. WHEN NATURAL LEADS OF MAGNETICS ARE NOT USED, CHARGER COMPONENTS ARE CONNECTED WITH BLACK FLAME-RETARDANT SWITCHBOARD INSULATION SYSTEM (SIS) TYPE WIRING, IDENTIFIED ON EACH END WITH NUMBER-CODED MARKERS. GROUND WIRES ARE GREEN WITH YELLOW STRIPE.
 2. STANDARD USER ALARM CONTACTS (TB6 [A1], etc.) ARE SOLDERLESS COMPRESSION SCREW TERMINALS, ACCEPTING #22-14 AWG WIRE.

DRN BY KJB	DATE: 9/22/2020	 HINDLEPOWER	1075 Saint John Street Easton, PA 18042-6661 PH 610-330-9000 FAX 610-330-8510 www.hindlepowerinc.com			
CHK BY MCR	DATE: 9/22/2020		ATEVO BATTERY CHARGER CONN DIAGRAM: 3Ø STYLE 5070 3Ø WITHOUT OPTIONS 75-100ADC			
APP BY MCR	DATE: 9/22/2020					
		B	SCALE NTS	DWG No JE5335-20	REV D	SHEET 2 OF 2