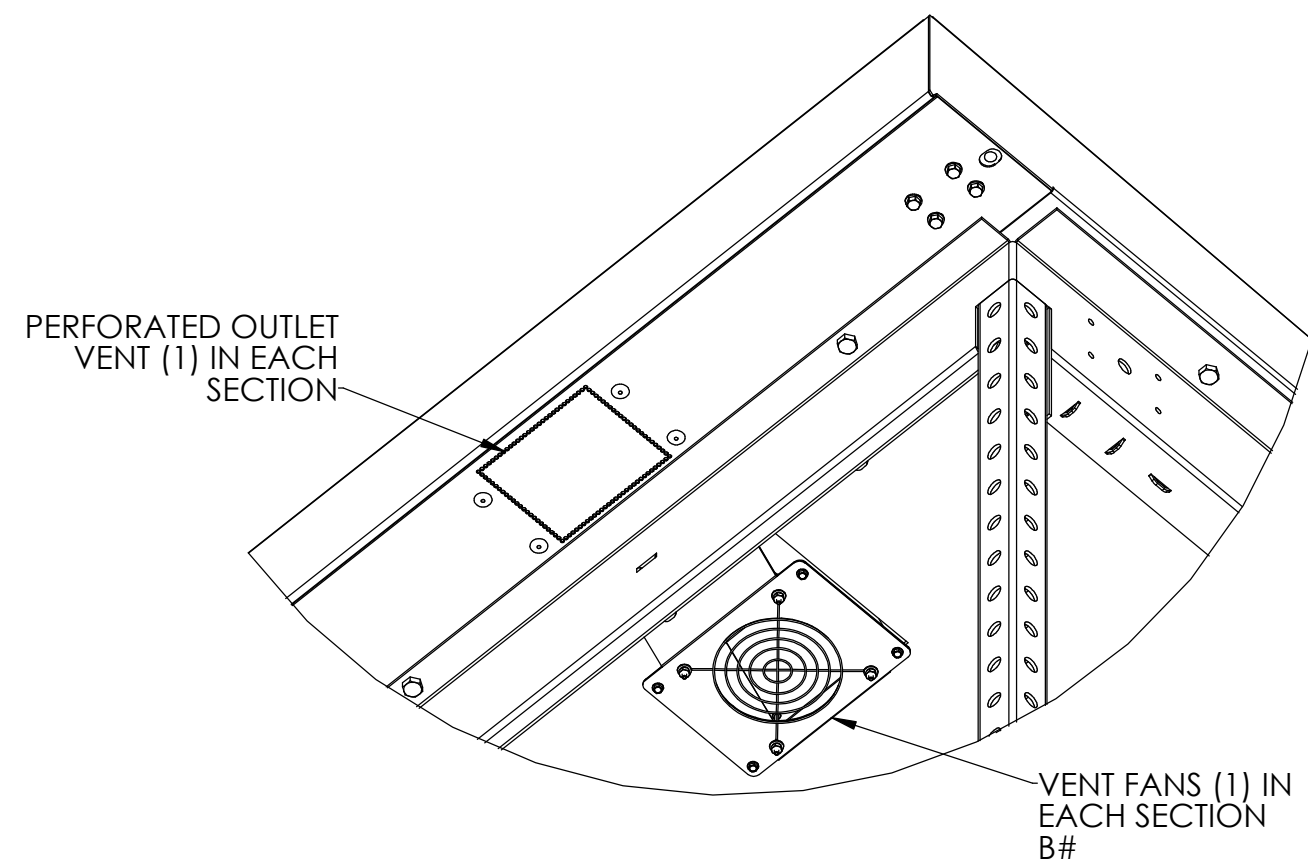
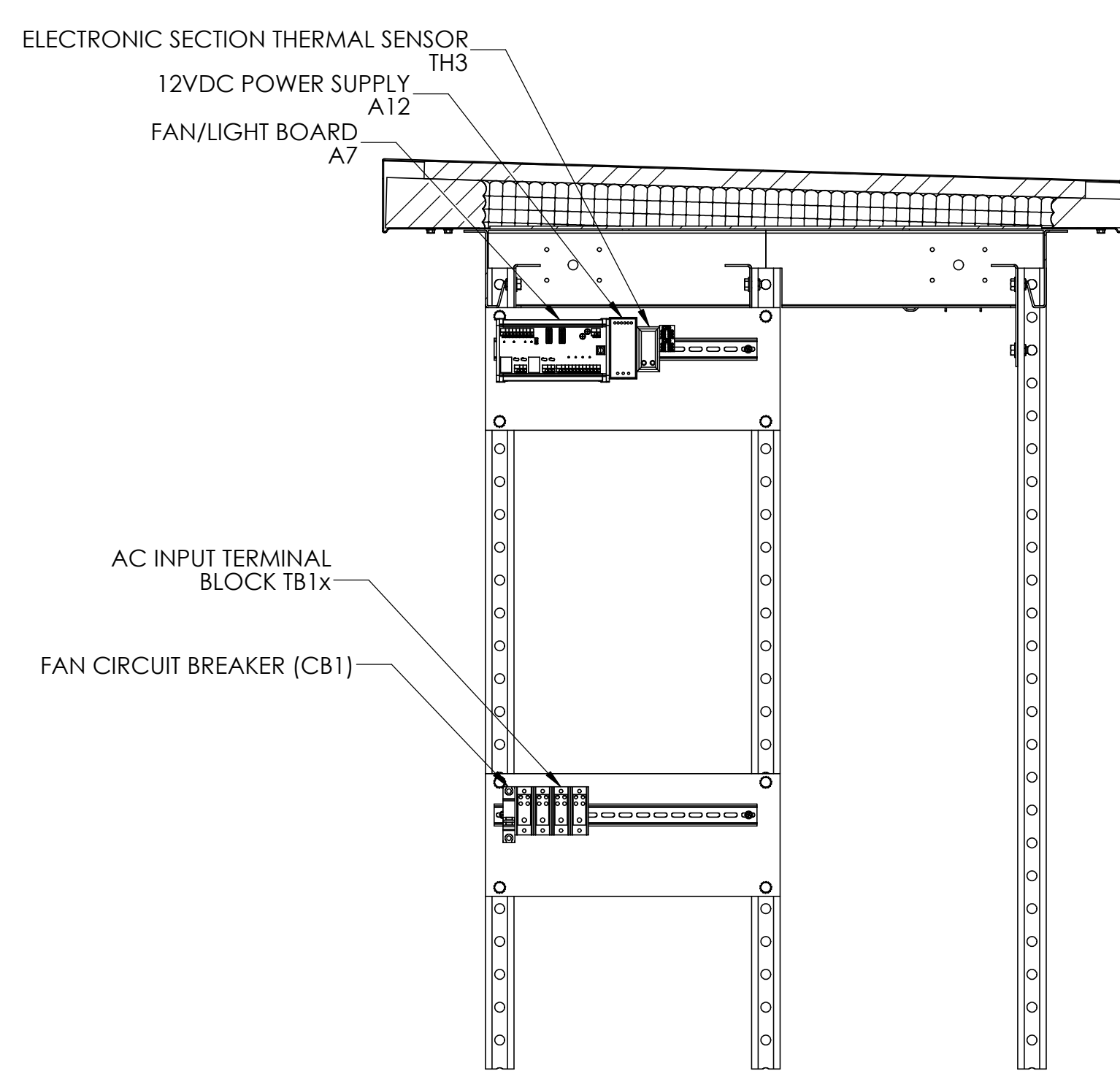
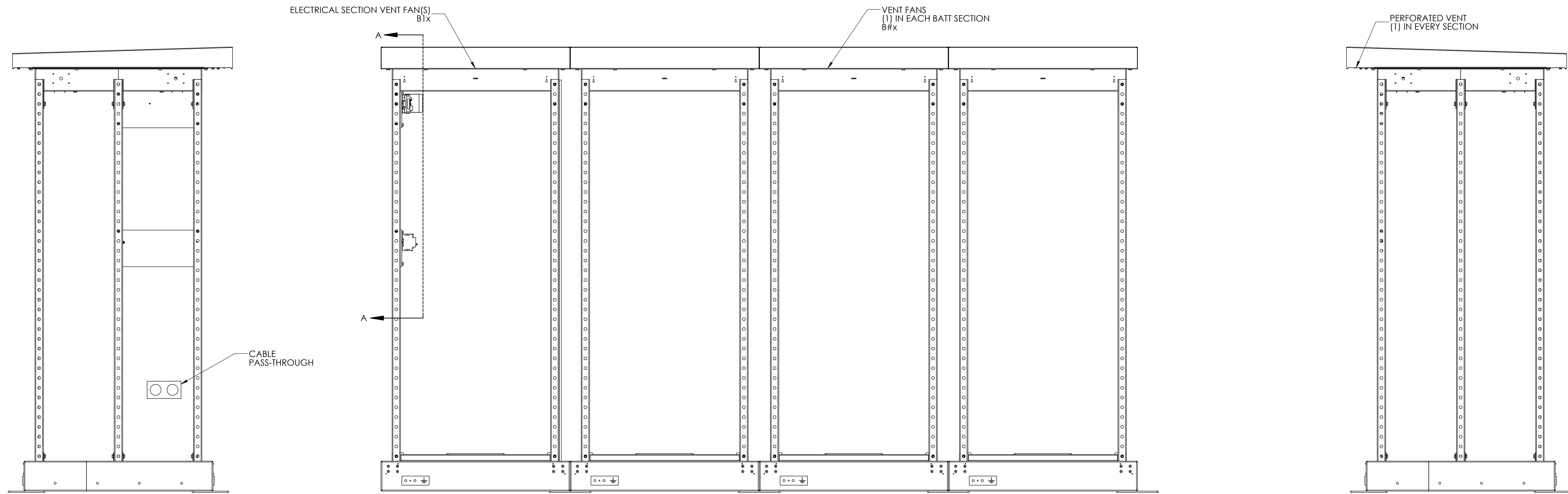


DESIGN NOTES:

- ENCLOSURE IS A NEMA-3R TYPE CABINET WITH GASKETING AND FOAM INJECTED PANELING. FINISH IS ANSI 61 GREY POWDERCOAT.
- HINGES MADE OF STAINLESS STEEL GRADE 316
- CONDUIT ENTRY PROVIDED THROUGH SIDE PANEL 10.5in BY 14in GLAND PLATE AVAILABLE FOR KNOCKOUT. SEE FOUNDATION DRAWINGS (JE5276-04) FOR KNOCKOUT LOCATIONS. CONDUIT ACCESS ALSO AVAILABLE FROM UNDERNEATH CABINET.
- LOCATE UNIT ONTO A PERMANENT, FLAT, AND LEVELED SURFACE, PREFERABLY CONCRETE OR OTHER FIREPROOF MATERIAL. SURFACE MUST BE CAPABLE OF SUPPORTING WEIGHT OF COMPLETE SYSTEM AND INSTALLED COMPONENTS. SEE FOUNDATION DRAWING (JE5276-04) FOR LOADING INFORMATION.
- VENTILATION AND THERMAL MANAGEMENT OF BATTERIES PER IEEE 1635. SEISMIC CERTIFICATION PER IEEE 693.
- THE WEIGHT OF THE CONSOLE WITHOUT BATTERIES IS 1442lb [654kg]
- FOR LIFTING, USE OPTIONAL STRAPPING SYSTEM (SEE EI5196-02).

C:\Hindle Vault\Custom Drawings\CONSOLES 2.1\Standard Drawings\#-04

REV DRN BY CHK BY APP BY DATE	DRN BY DATE		TITLE EPIC SERIES 2.0 CONSOLE OUTLINE: NEMA 3R STYLE 5063 ENCL SALES ORDER No. N/A
B KJB KMW RCF 6/12/2023	KJB 10/18/2021		
DESCRIPTION	CHK BY DATE		
UPDATED TO NEW DESIGN.	CMF 10/18/2021		
APP BY DATE	APP BY DATE		
RCF 10/18/2021	RCF 10/18/2021		
<small> ALL DIMENSIONS UNLESS SPECIFIED ARE IN INCHES AND FRACTIONS THEREOF. DIMENSIONS IN PARENTHESES ARE IN MILLIMETERS. DIMENSIONS IN PARENTHESES ARE IN MILLIMETERS. DECIMAL DIMENSIONS ARE TO 2 DECIMAL PLACES. DIMENSIONS ARE TO UNLESS OTHERWISE SPECIFIED. </small>			
<small> ANY REPRODUCTION, PARTIAL OR AS A WHOLE OF THIS DOCUMENT WITHOUT THE WRITTEN PERMISSION OF HINDLE POWER, INC IS STRICTLY PROHIBITED. </small>			SCALE DWG No. REV SHEET D 1:12 JE5269-04 B 1 OF 1

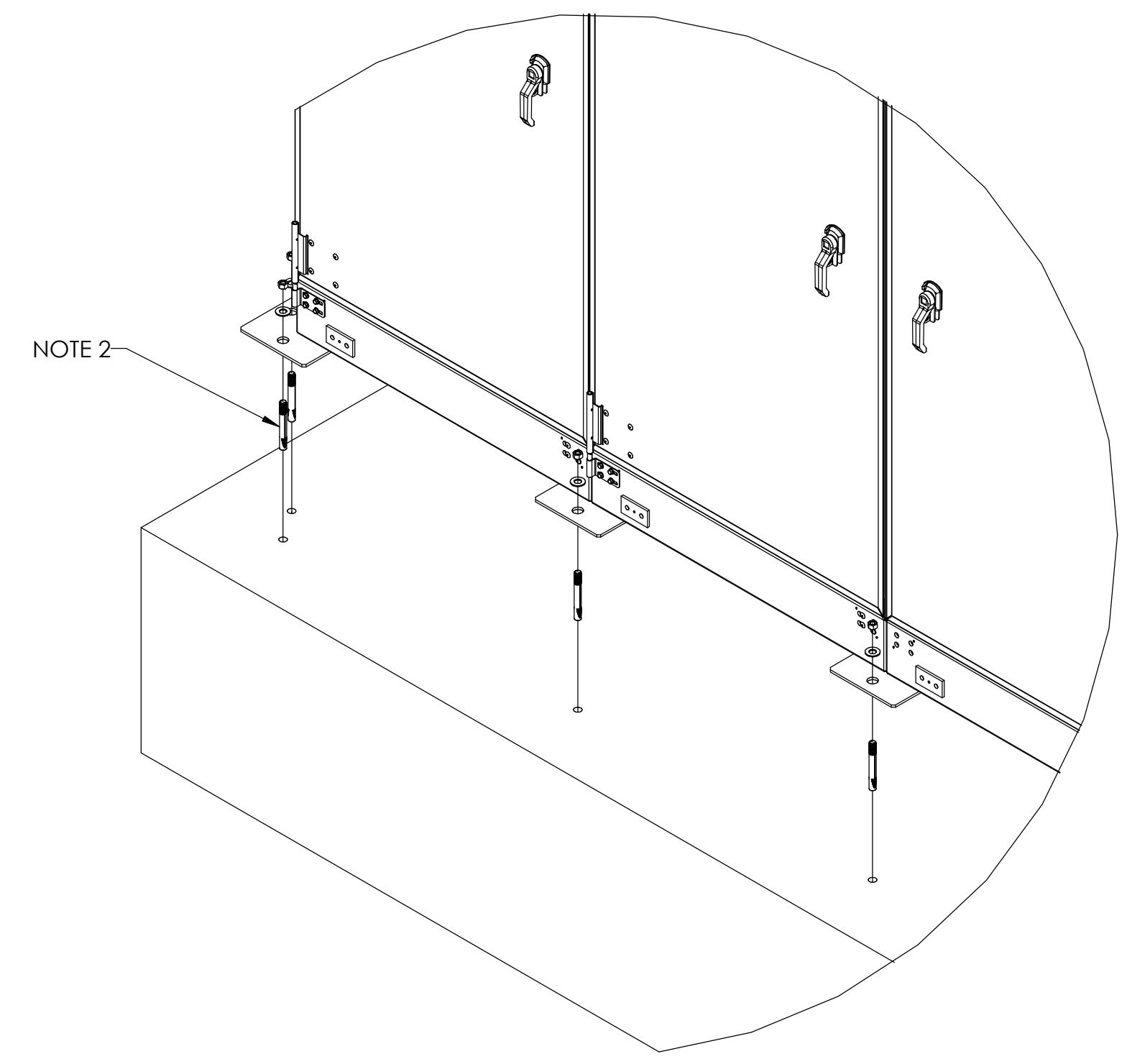
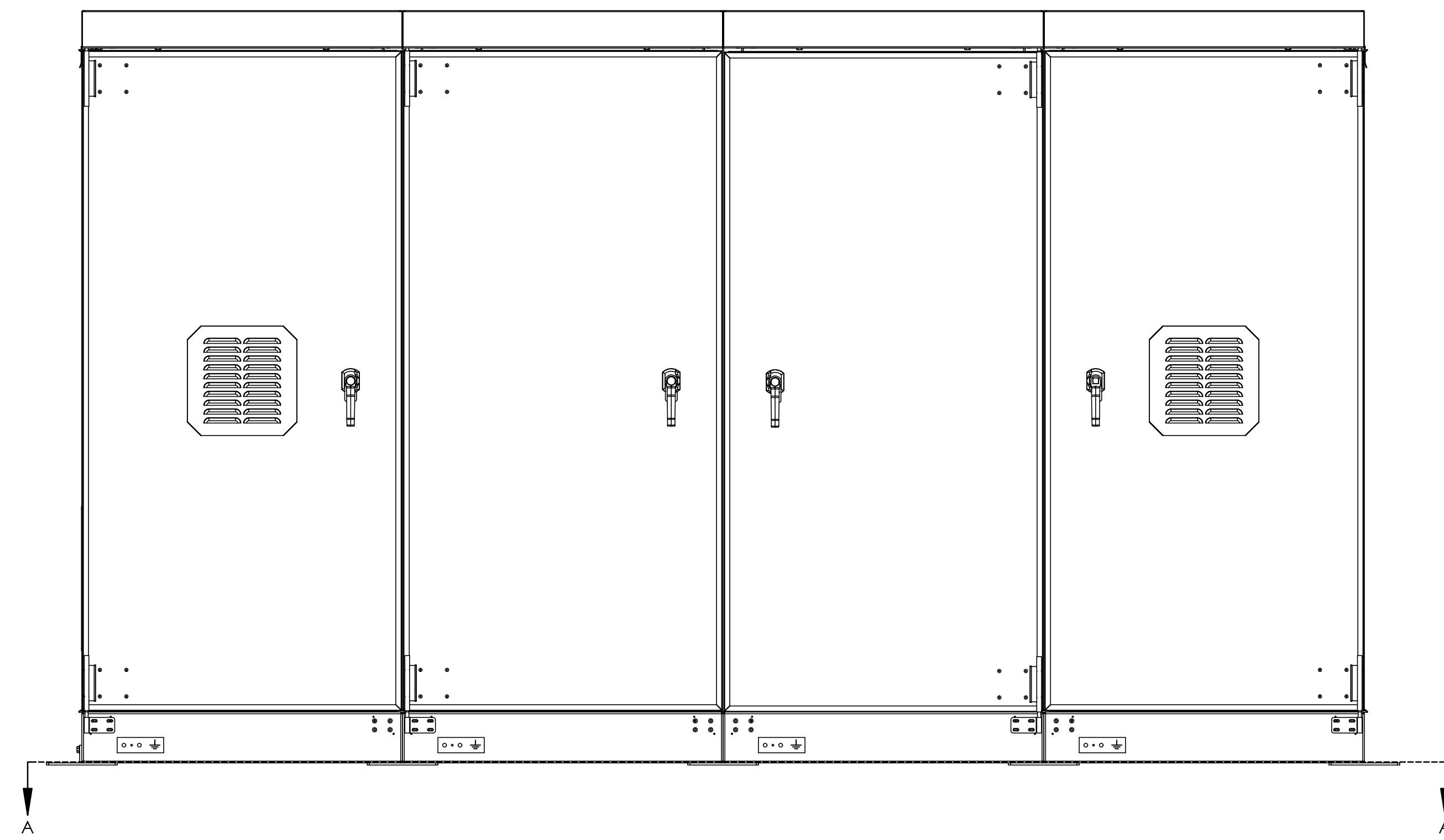
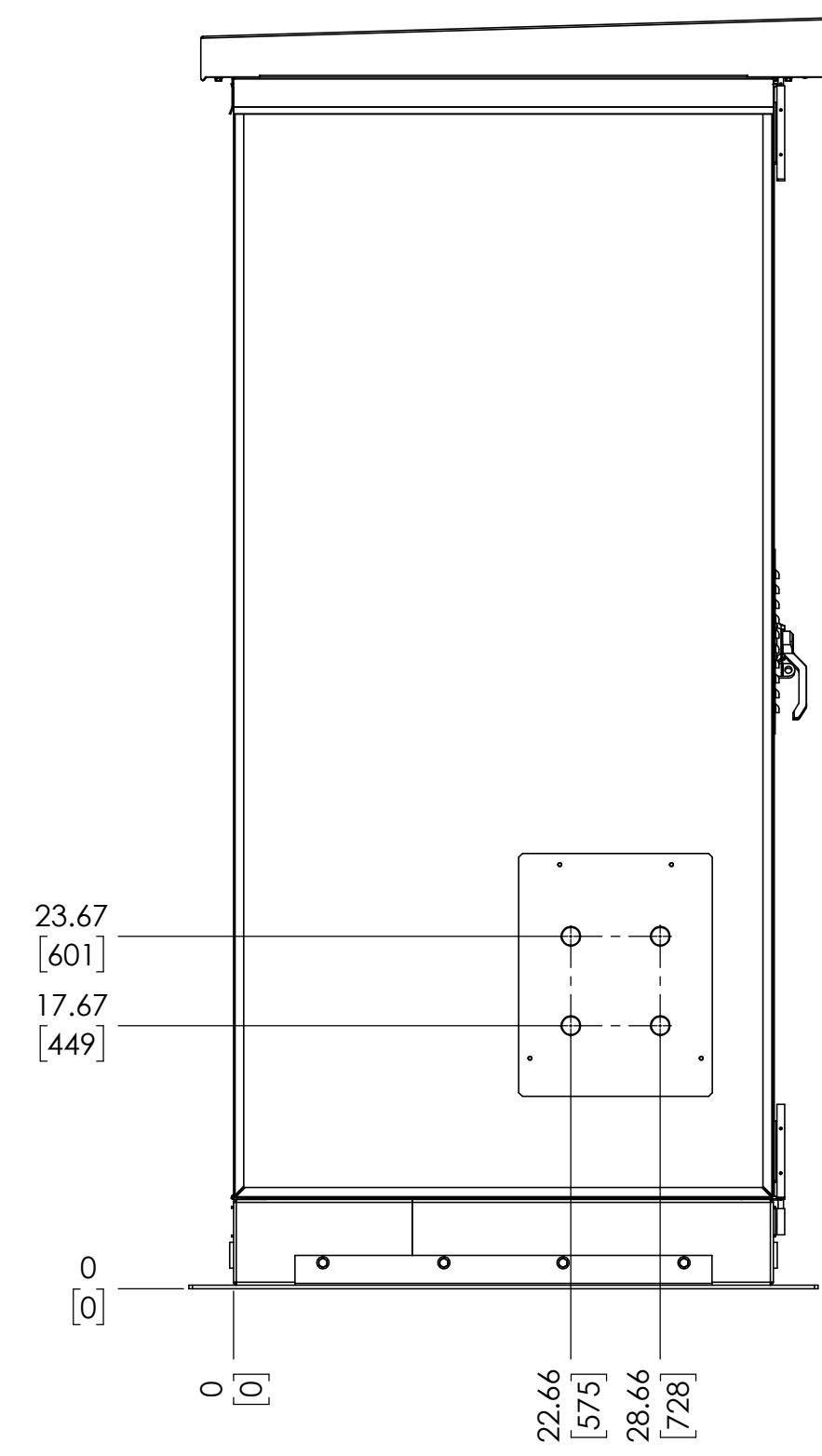


SECTION A-A
SCALE 1 : 8

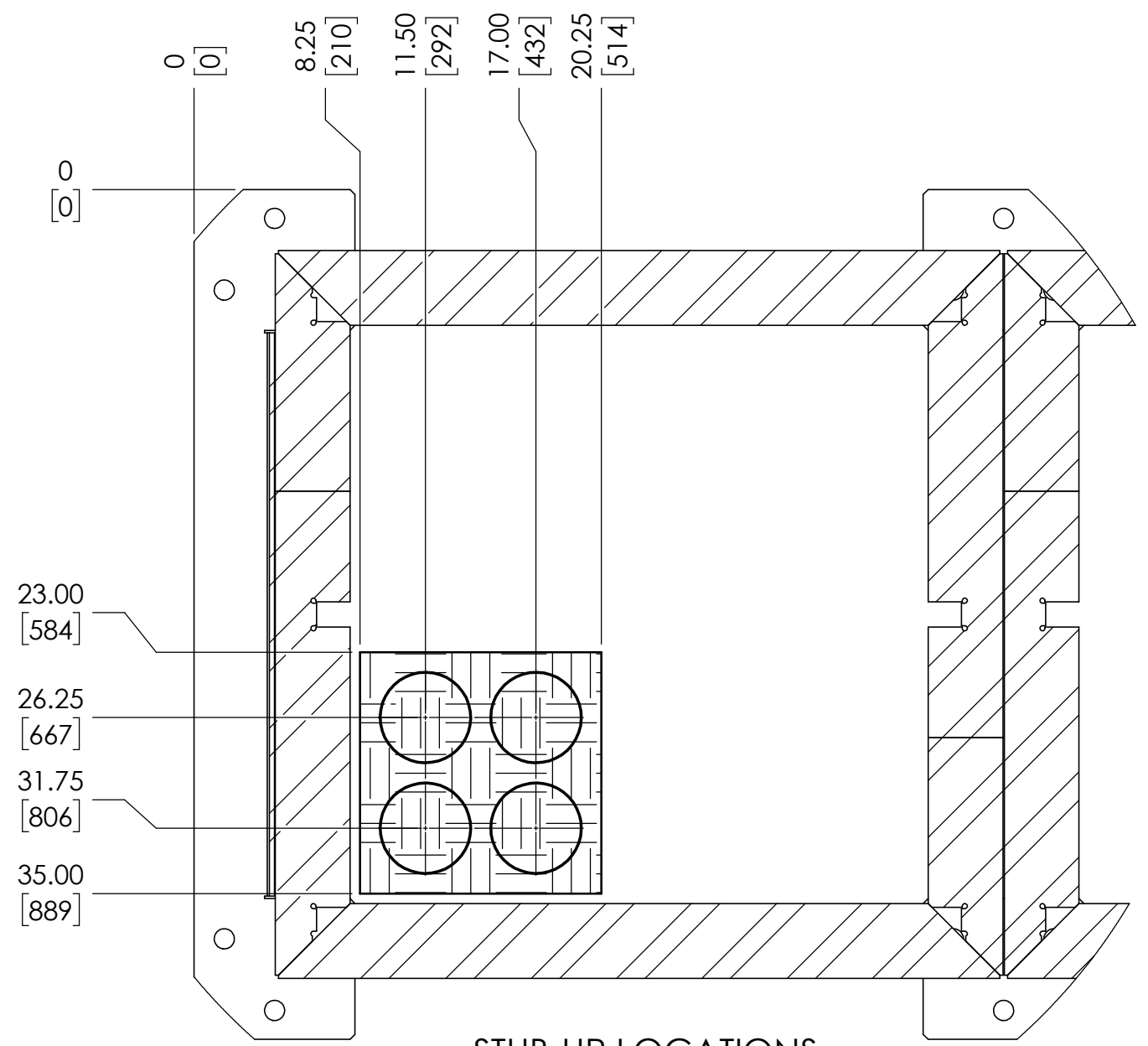
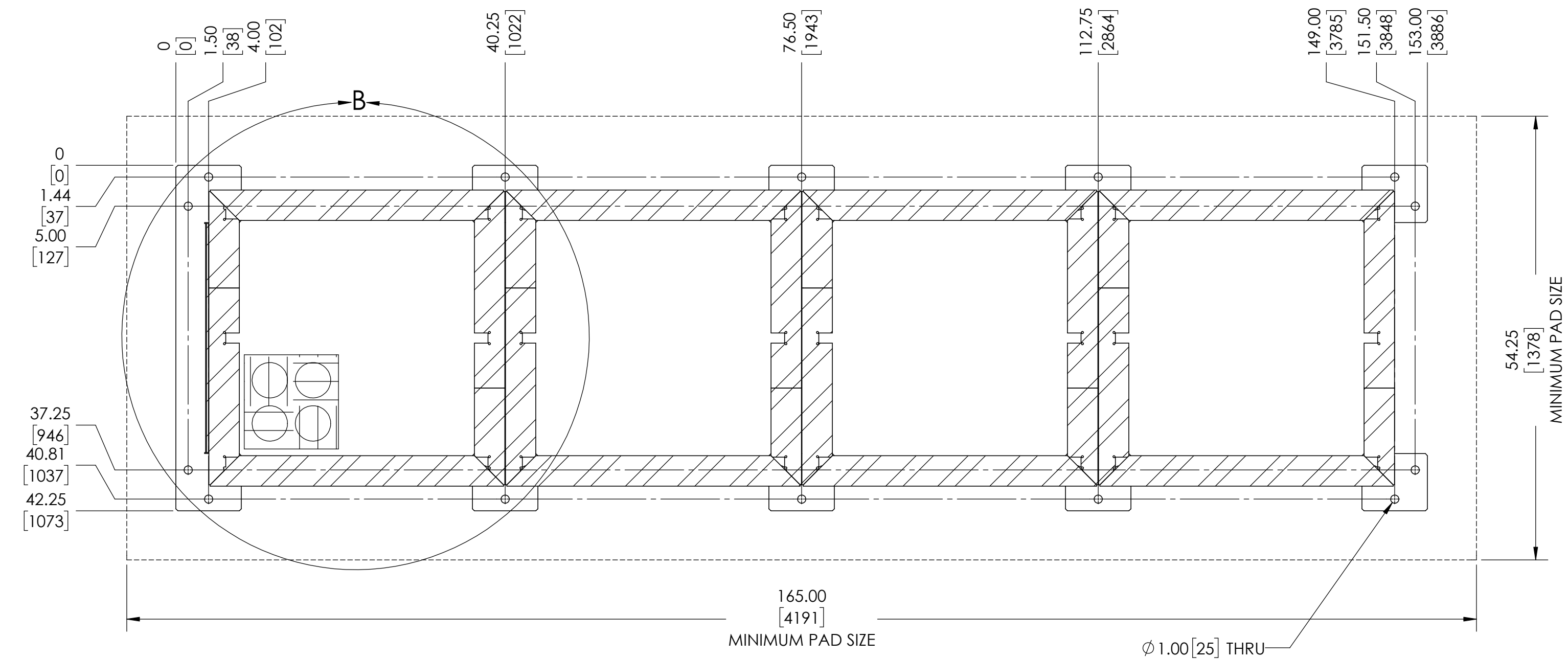
1. TO PROVIDE A CLEAR VIEW OF THE CONSOLE INTERNAL COMPONENTS, THE FOLLOWING ITEMS ARE NOT SHOWN:
 - FRONT DOORS W/ EYE WASH
 - REAR PANELS/DOORS
 - LEFT AND RIGHT SIDE PANELS
2. DO NOT LIFT, PUSH OR RELOCATE THE EPIC CONSOLE WITH BATTERIES INSTALLED WITHIN ENCLOSURE.
3. BATTERY TYPE: REFERENCE (## JARS)

C:\Hindle Vault\Custom Drawings\CONSOLES 2.1\Standard Drawings\##-04

REV DRN BY CHK BY APP BY DATE	DRN BY DATE	HINDLEPOWER <small>©2018 Hindle Power, Inc. All Rights Reserved. 10/18/2021</small>	TITLE EPIC SERIES 2.0 CONSOLE INTERNAL LAYOUT: 1 ELEC. / 3 BATT. SALES ORDER No. N/A
B KJB KMW RCF 6/12/2023	KJB 10/18/2021		
DESCRIPTION	CHK BY DATE	SCALE DWG No. REV SHEET 1:10 JE5270-04 B 1 OF 1	
UPDATED TO NEW DESIGN.	CMF 10/18/2021		
APP BY DATE	RCF 10/18/2021		
<small>UNLESS OTHERWISE SPECIFIED ALL DIMENSIONS FOLLOW THE AS SHOWN DIMENSIONS (INCHES & FRACTIONS & DECIMALS) TOLERANCES ARE: FINISH 0.004, DEC 0.010, AND 0.25"</small>			
<small>PROPERTY AND CONFIDENTIAL NOTICE: ANY REPRODUCTION, PARTIAL OR AS A WHOLE OF THIS DOCUMENT WITHOUT THE WRITTEN PERMISSION OF HINDLE POWER, INC IS STRICTLY PROHIBITED.</small>			



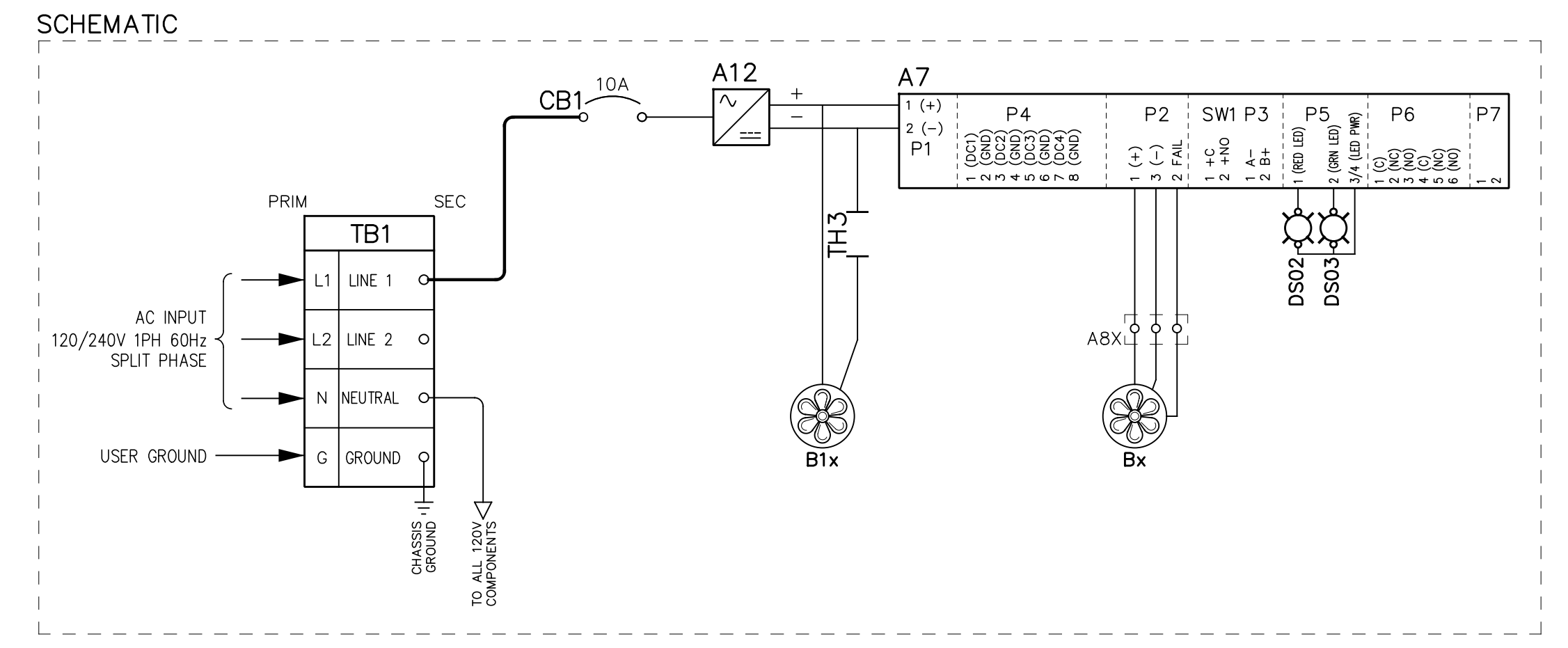
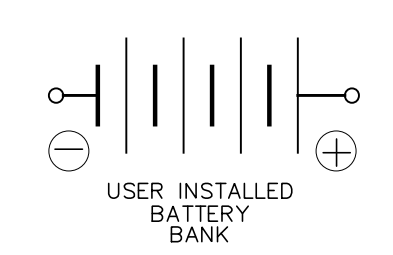
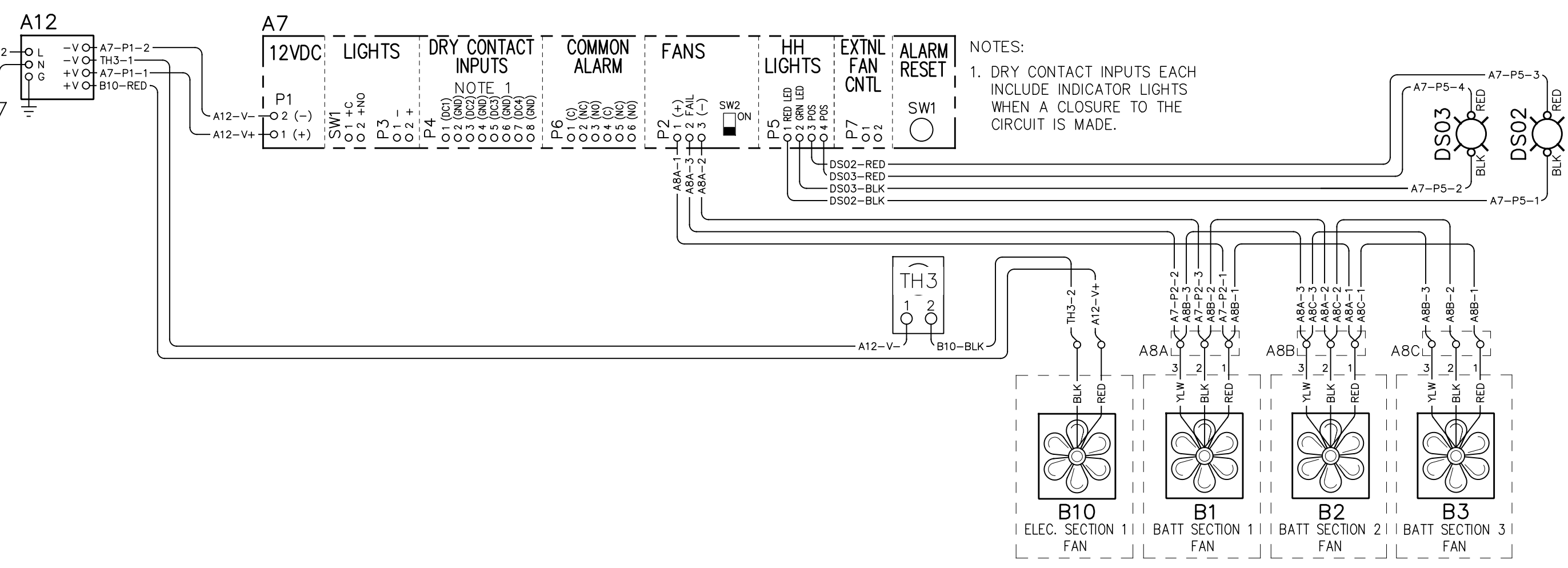
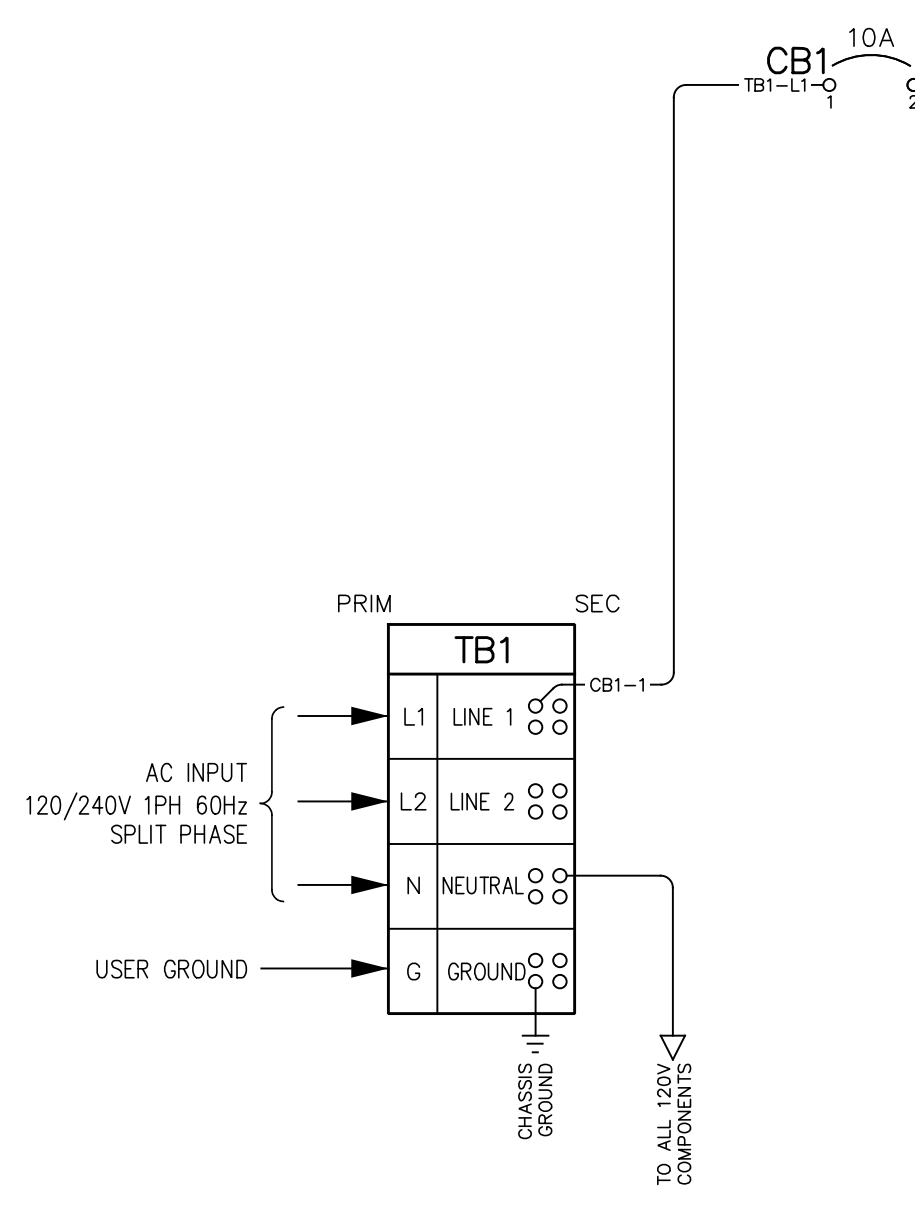
A-A
MOUNTING DIMENSIONS



STUB-UP LOCATIONS
DETAIL B
SCALE 1 : 8

- NOTES:
1. MOUNTING DIMENSIONS SHOWN ON DRAWING ARE FINAL. WE RECOMMEND PLACING CONSOLE THEN DRILLING FOR MOUNTING ANCHORS.
 2. ANCHOR BOLTS ARE TO BE HILTI M12 HDA-TR STAINLESS STEEL UNDERCUT (OR EQUIVALENT). HOLE DEPTH TO BE MINIMUM OF 5.3" [135mm]. PAD DEPTH TO BE MINIMUM OF 8.0" [203mm]
 3. CONCRETE PAD TO EXTEND A MINIMUM OF 6" [153mm] FROM EDGE OF CABINET ON ALL SIDES. SEE MOUNTING DIMENSIONS BELOW. THE WEIGHT OF THE CONSOLE WITH BATTERIES (SPECIFIED IN PURCHASE ORDER) IS 1437lb [652kg]
 4. CONCRETE PAD TO BE 4000 psi OR GREATER.
 5. ELECTRICAL CONDUIT MAY ENTER FROM UNDERNEATH CABINET, BUT ONLY THROUGH STUB-UP LOCATIONS SHOWN IN DETAIL B.
 6. CONDUIT ENTRY PROVIDED THROUGH SIDE PANEL 10.5in BY 14in GLAND PLATE AVAILABLE FOR KNOCKOUT. KNOCKOUTS MAY NOT BE VISIBLE, USE DIMENSIONS TO VERIFY BREAKAWAY POINTS.

REV DRN BY CHK BY APP BY DATE	DRN BY DATE		HINDLEPOWER EPIC SERIES 2.0 CONSOLE FOUNDATION DRAWING SALES ORDER No. N/A
B KJB KMW RCF 6/12/2023	KJB 10/18/2021		
DESCRIPTION	CHK BY DATE	TITLE	
UPDATED TO NEW DESIGN.	CMF 10/18/2021	EPIC SERIES 2.0 CONSOLE	
APP BY DATE	RCF 10/18/2021	SALES ORDER No. N/A	
PROPERTY AND CONFIDENTIAL NOTICE		SCALE DWG No.	
ANY REPRODUCTION, PARTIAL OR AS A WHOLE OF THIS DOCUMENT WITHOUT THE WRITTEN PERMISSION OF HINDLE POWER, INC IS STRICTLY PROHIBITED.		D 1:12 JE5276-04	
		REV SHEET	B 1 OF 1



I/O TERMINAL	DESCRIPTION - TYPE	CONNECTION
TB1 PRIM	L1, L2, AC INPUT / USER NTRL, GND TERMINALS - CU-ALUMINUM COMP LUG	(1) 2/0-#14 AWG
TB1 SEC	LINE 1, LINE 2 AC INPUT / USER NTRL, GND TERMINALS - CU-ALUMINUM COMP LUG	(4) #4-#14 AWG

EPIC SERIES COMPONENTS

LEGEND FOR EPIC LINE

SYMBOL	DESCRIPTION	SYMBOL	DESCRIPTION
A7	FAN/LIGHT BOARD	○	DEVICE TERMINAL
A8x	FAN BOARD(S)	◊	TERMINAL BLOCK POINT IN TRANSFORMER
A12	12VDC POWER SUPPLY	◇	TERMINAL BLOCK POINT FOR SCADA
Bx	BATTERY SECTION VENT FANS	◊	TERMINAL BLOCK POINT FOR COMMUNICATIONS
B1x	ELECTRIC SECTION VENT FANS	◊	TERMINAL BLOCK POINT IN POWER CIRCUIT BREAKER
CB1	CIRCUIT BREAKER FOR A12 F/S	▲	TERMINAL IN A.C. OR D.C. PANELBOARD
DS02	RED LED	—	SHIPPED WITH WIRING INSTALLED
DS03	GREEN LED	---	WIRING TO BE INSTALLED
TB1	AC INPUT TERMINAL BLOCK		
TH3	ELECTRONIC SECTION THERMAL SENSOR		

REV: [] DRN BY: [] CHK BY: [] APP BY: [] DATE: []	DRN BY: [] DATE: []		1075 Saint John Street Easton, PA 18042-6661 PH 610-330-9000 FAX 610-330-8810 www.handlepowerinc.com
B KJB/KMW RCF 6/12/2023	KJB 10/18/21		
DESCRIPTION: STANDARD DRAWINGS	CHK BY: [] DATE: []	TITLE: EPIC SERIES 2.0 CONSOLE CONNECTION DIAGRAM: 1 ELEC. SECTION 3 BATT SECTION SALES ORDER NO. N/A	
PROPERTY AND CONFIDENTIAL NOTICE	APP BY: [] DATE: []	SCALE: [] DWG NO: JE5272-04 REV: [] SHEET: [] OF []	