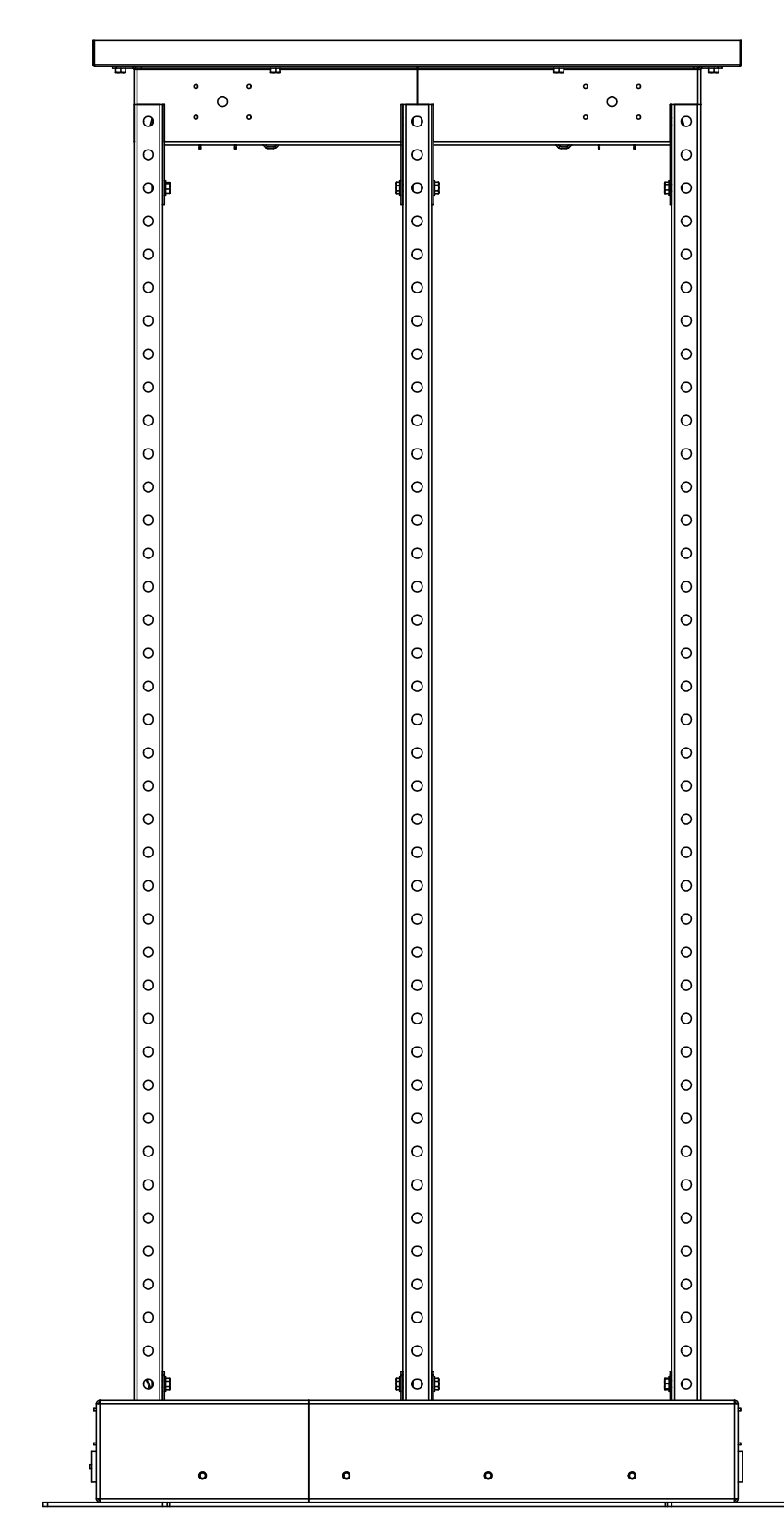
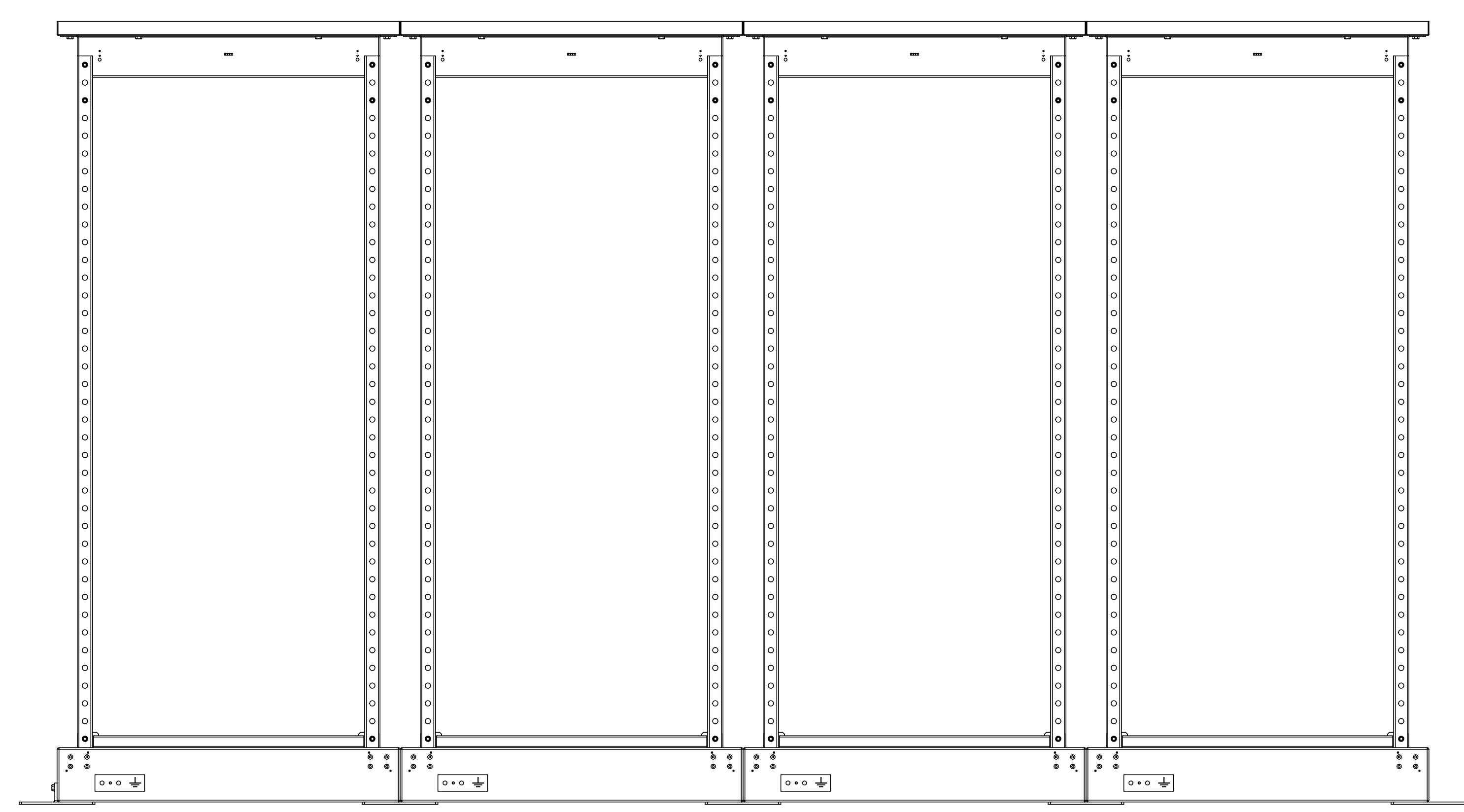
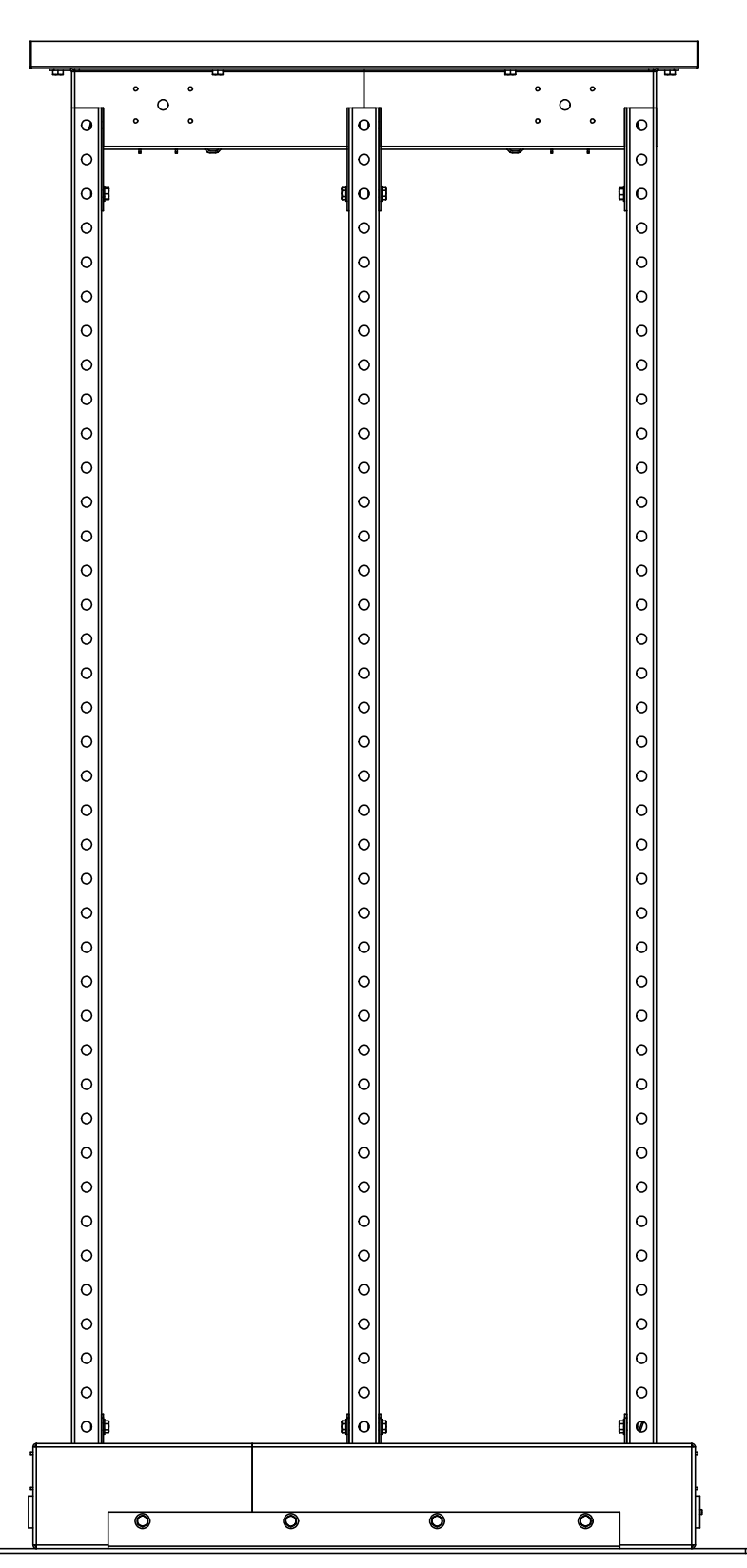


DESIGN NOTES:

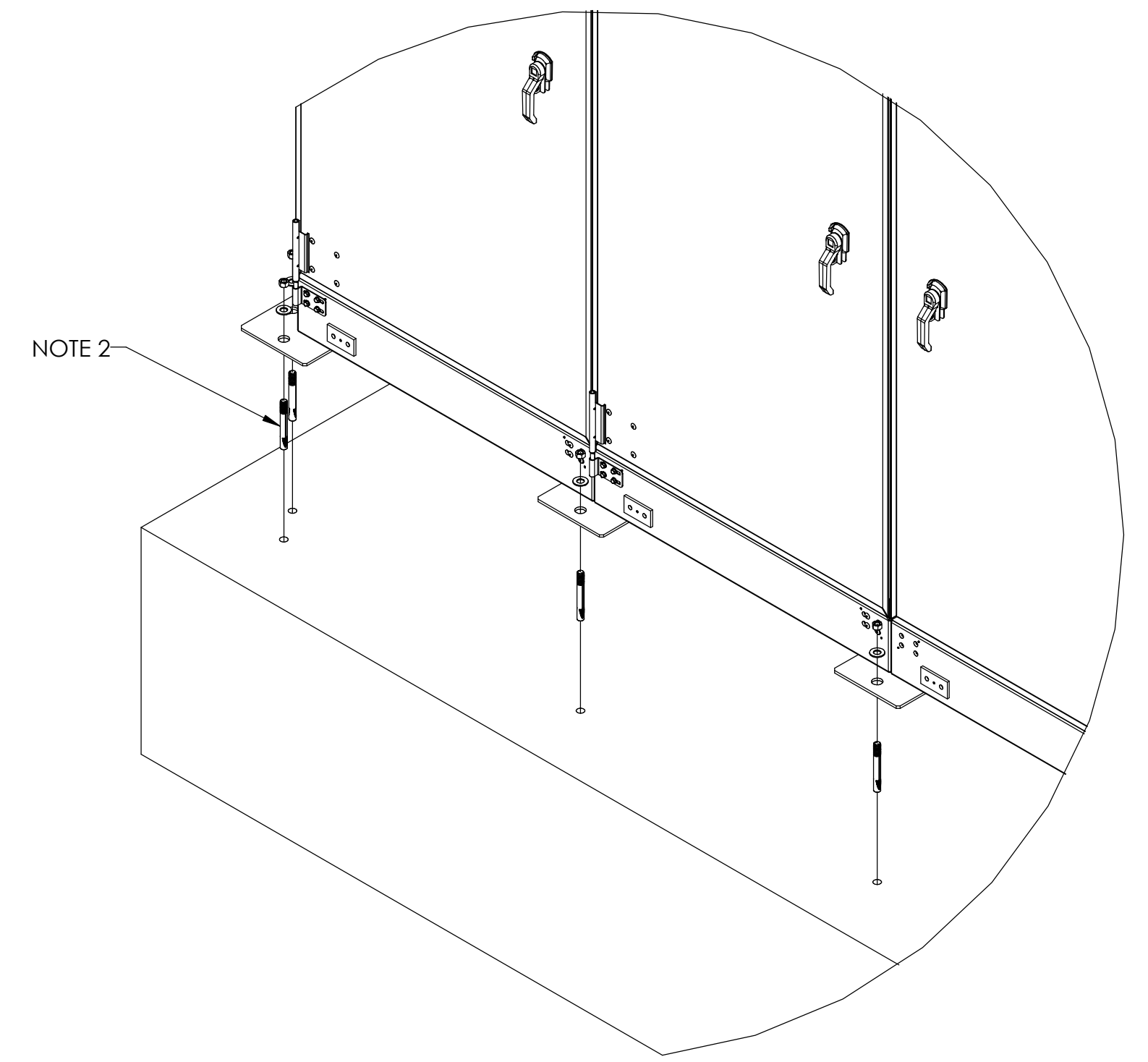
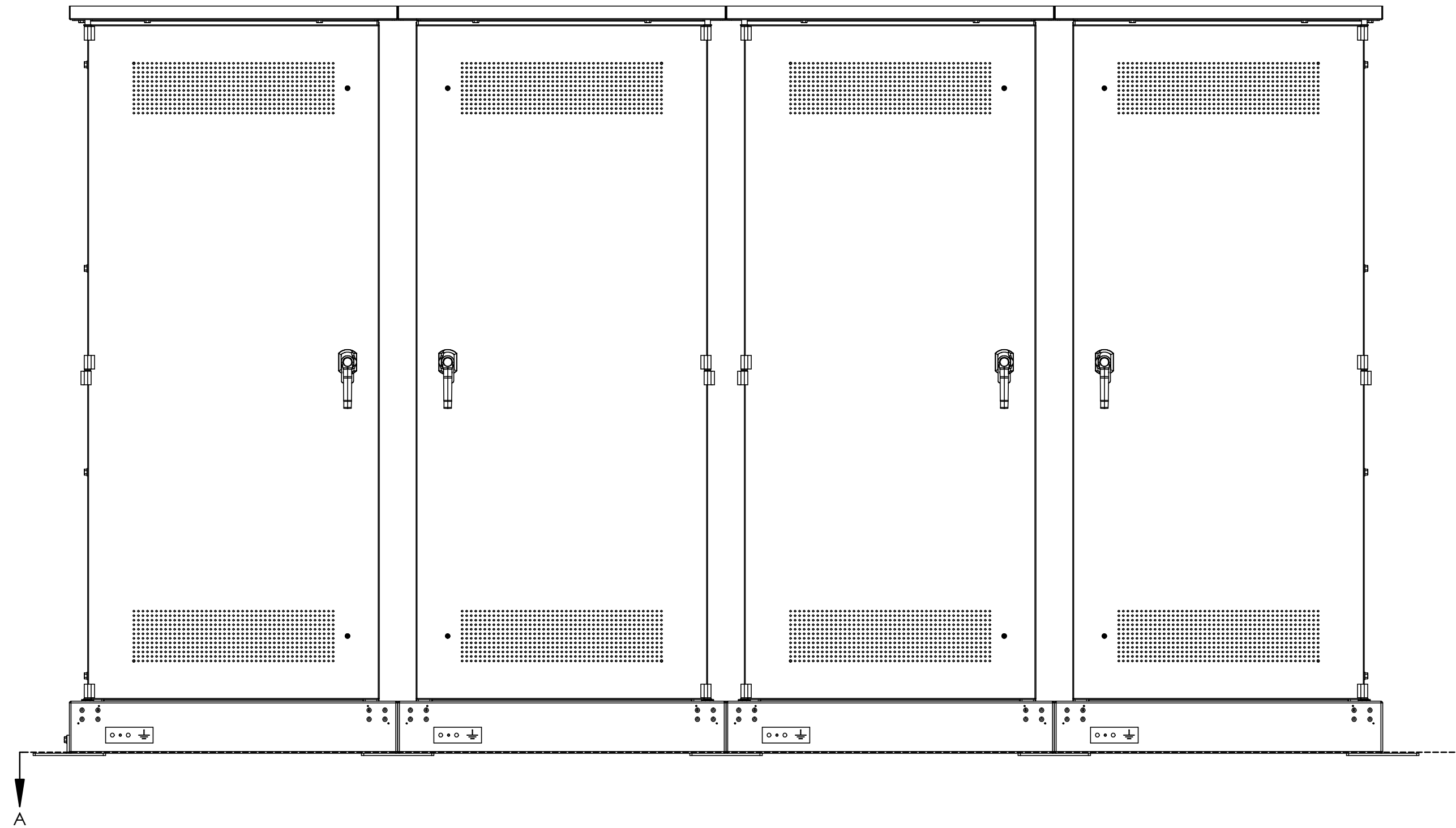
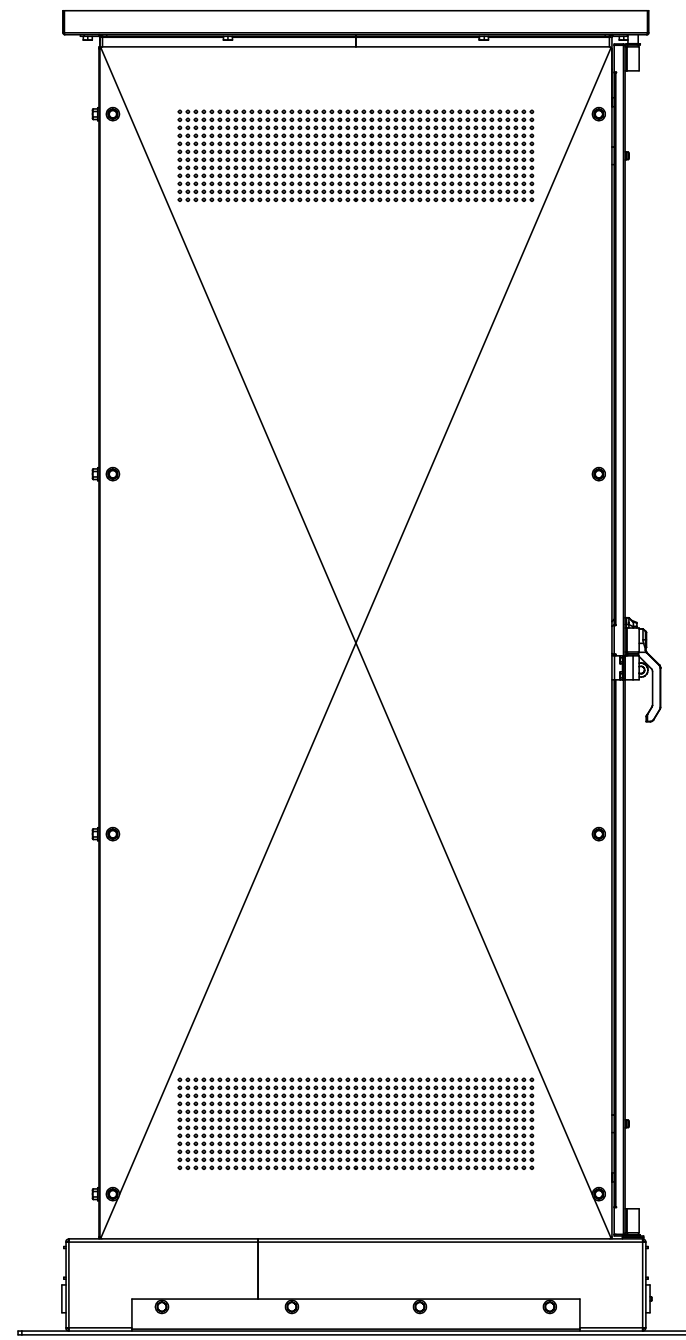
- ENCLOSURE IS A NEMA-1 TYPE CABINET WITH GASKETING AND FOAM INJECTED PANELING. FINISH IS ANSI 61 GREY POWDERCOAT.
- LOCATE UNIT ONTO A PERMANENT, FLAT, AND LEVELED SURFACE, PREFERABLY CONCRETE OR OTHER FIREPROOF MATERIAL. SURFACE MUST BE CAPABLE OF SUPPORTING WEIGHT OF COMPLETE SYSTEM AND INSTALLED COMPONENTS. SEE FOUNDATION DRAWING (JE5276-04) FOR LOADING INFORMATION.
- THE WEIGHT OF THE CONSOLE WITHOUT BATTERIES IS 1459lb [662kg]
- FOR LIFTING, USE OPTIONAL STRAPPING SYSTEM SEE E15196-01.

REV	DRN	BY	CHK	BY	APP	BY	DATE	DRN	BY	DATE	DRN	BY	DATE	DRN	BY	DATE	TITLE
0	KJB	RCF	RCF	RCF			05/13/24		KJB	05/13/24		KJB	05/13/24		KJB	05/13/24	EPIC SERIES 2.0 CONSOLE
DESCRIPTION											TITLE		HINDLEPOWER				
Initial Release											OUTLINE: NEMA 3R STYLE 5063 ENCL		SALES ORDER No. N/A				
APP BY: RCF											SCALE		D 1:12				
DATE: 05/13/24											DWG No.		JE5269-04				
TOLERANCES UNLESS OTHERWISE SPECIFIED											REV		SHEET				
ALL DIMENSIONS EXCEPT THE											0		1 OF 1				
INCHES & FRACTIONS TO NEAREST 0.001																	
DIMENSIONS IN MILLIMETERS TO NEAREST 0.1																	
TOLERANCES ARE: FRACTIONS: 1/16"																	
DECIMALS: 0.001" ANGLES: 0.5°																	

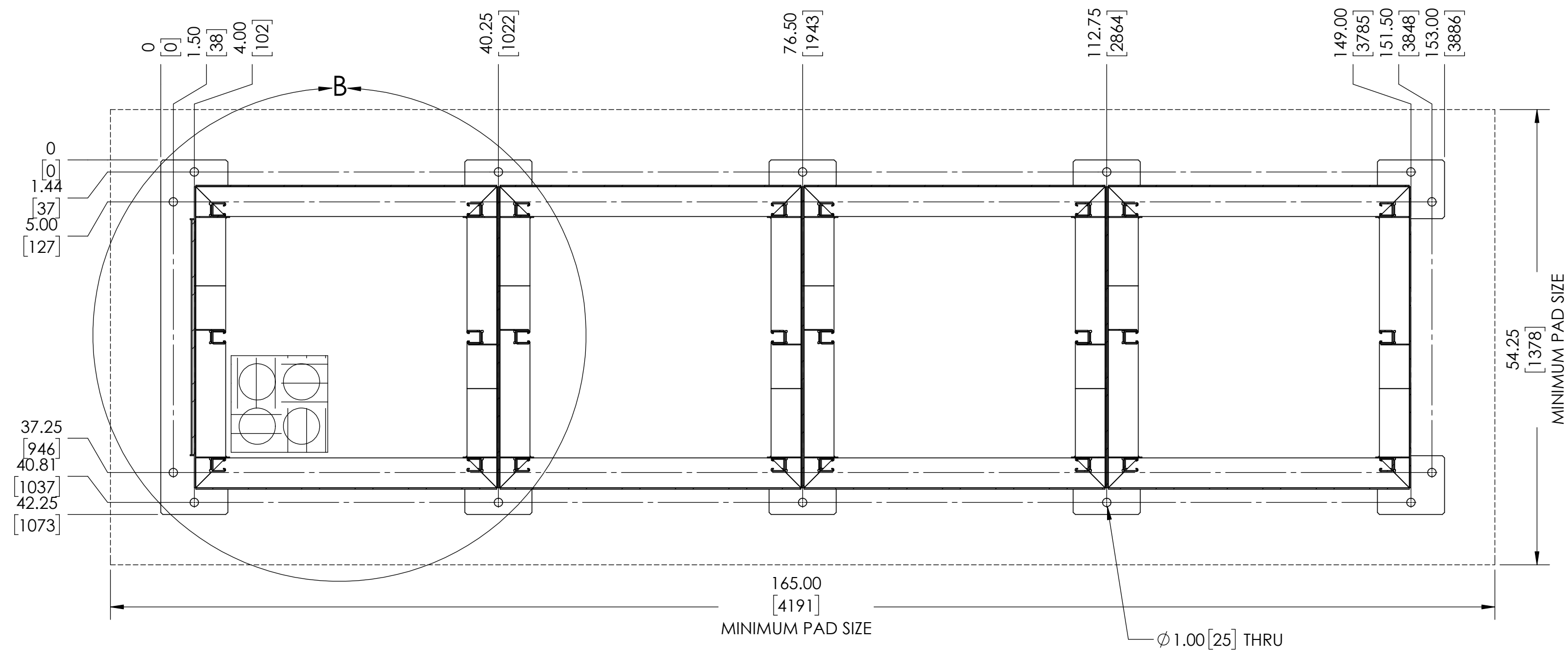


1. TO PROVIDE A CLEAR VIEW OF THE CONSOLE INTERNAL COMPONENTS, THE FOLLOWING ITEMS ARE NOT SHOWN:
 - FRONT DOORS
 - REAR PANELS/DOORS
 - LEFT AND RIGHT SIDE PANELS
2. DO NOT LIFT, PUSH OR RELOCATE THE EPIC CONSOLE WITH BATTERIES INSTALLED WITHIN ENCLOSURE.
3. BATTERY TYPE: ## (## JARS)

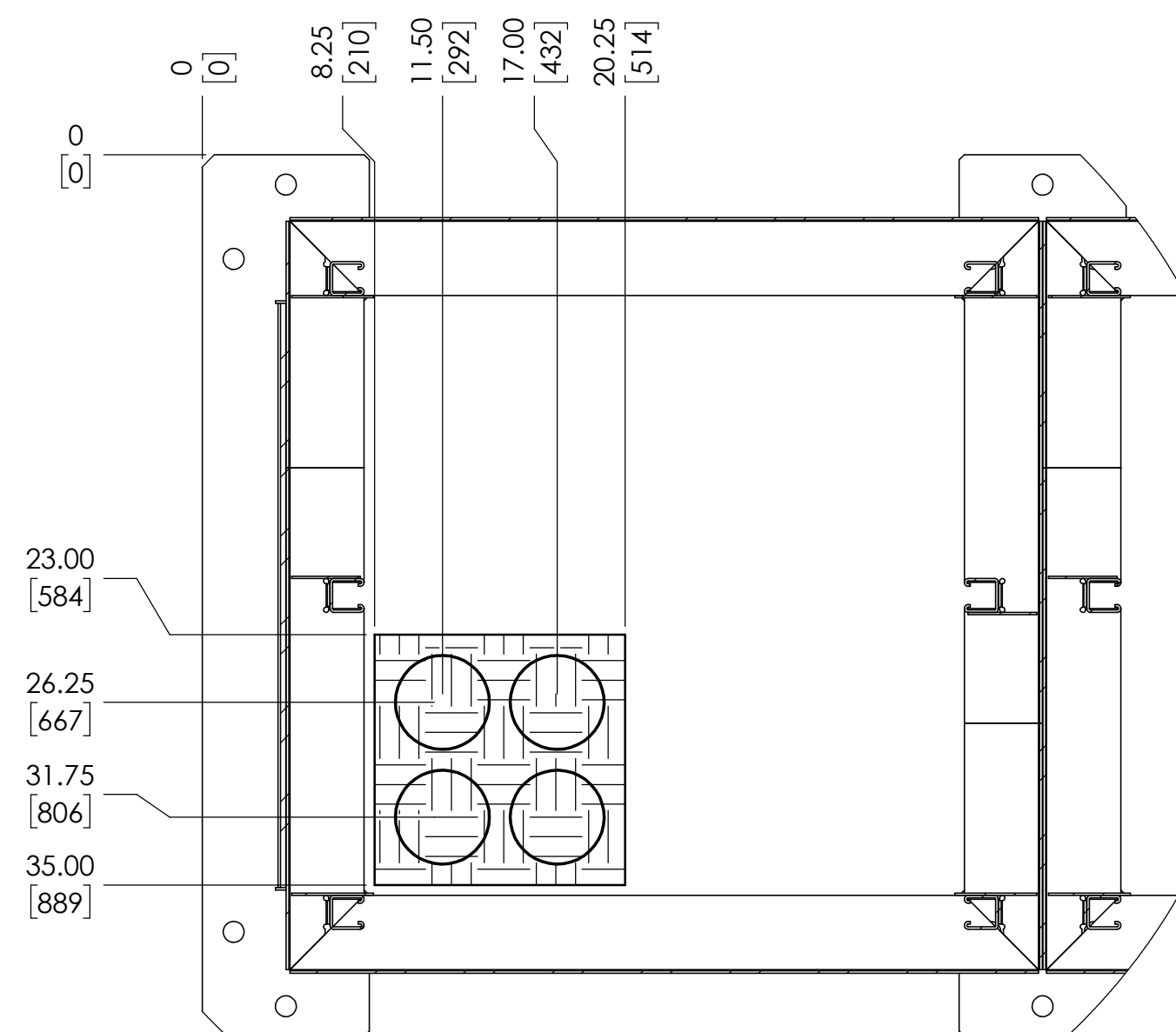
REV	DRN BY	CHK BY	APP BY	DATE	DRN BY	DATE	HINDLEPOWER <small>10750 17th Street Golden, CO 80441 Tel: (303) 440-1000 www.hindlepower.com</small>
0	KJB	RCF	RCF	05/13/24	KJB	05/13/24	
DESCRIPTION					CHK BY	DATE	TITLE EPIC SERIES 2.0 CONSOLE INTERNAL LAYOUT: 0 ELEC. / 1 BATT. SALES ORDER No. N/A
Initial Release					RCF	05/13/24	
APP BY					DATE	SCALE	D 1:10 JE5270-04
RCF					05/13/24	1:10	
UNLESS OTHERWISE SPECIFIED ALL DIMENSIONS FOLLOW THE ANGLES AND TOLERANCES ARE: FINISH: 1/16" DEC: ± 0.10, ANG: ± 0.5°					DRWS No	REV	SHEET
						0	1 OF 1



A-A
MOUNTING DIMENSIONS



STUB-UP LOCATIONS
DETAIL B
SCALE 1 : 8



NOTES:

1. MOUNTING DIMENSIONS SHOWN ON DRAWING ARE FINAL. WE RECOMMEND PLACING CONSOLE THEN DRILLING FOR MOUNTING ANCHORS.
2. ANCHOR BOLTS ARE TO BE HILTI M12 HDA-TR STAINLESS STEEL UNDERCUT (OR EQUIVALENT). HOLE DEPTH TO BE MINIMUM OF 5.3" [135mm], PAD DEPTH TO BE MINIMUM OF 8.0" [203mm]
3. CONCRETE PAD TO EXTEND A MINIMUM OF 6" [153mm] FROM EDGE OF CABINET ON ALL SIDES. SEE MOUNTING DIMENSIONS TO LEFT. THE WEIGHT OF THE CONSOLE WITH BATTERIES (SPECIFIED IN PURCHASE ORDER) IS 1459lb [662kg]
4. CONCRETE PAD TO BE 4000 psi OR GREATER.
5. ELECTRICAL CONDUIT MAY ENTER FROM UNDERNEATH CABINET, BUT ONLY THROUGH STUB-UP LOCATIONS SHOWN IN DETAIL B.
6. CONDUIT ENTRY POSSIBLE THROUGH FIELD MODIFIED SIDE.

REV	DRN	CHK	BY	APP	BY	DATE	DRN	BY	DATE
0	KJB	RCF	RCF			05/13/24	KJB	KJB	05/13/24
DESCRIPTION							CHK	BY	DATE
Initial Release							RCF	RCF	05/13/24
APP							DATE	DATE	
RCF							RCF	RCF	05/13/24
<small>UNLESS OTHERWISE SPECIFIED ALL DIMENSIONS EXCEPT THE INCHES, POUNDS & SECONDS TOLERANCES ARE: FINAC 1/164, DEC ± 0.10, ANG ± 30°</small>									
							EPIC SERIES 2.0 CONSOLE FOUNDATION DRAWINGS SALES ORDER No. N/A		
							D SCALE DWG No. JE5276-04		
							REV	SHEET	
							0	1 OF 1	