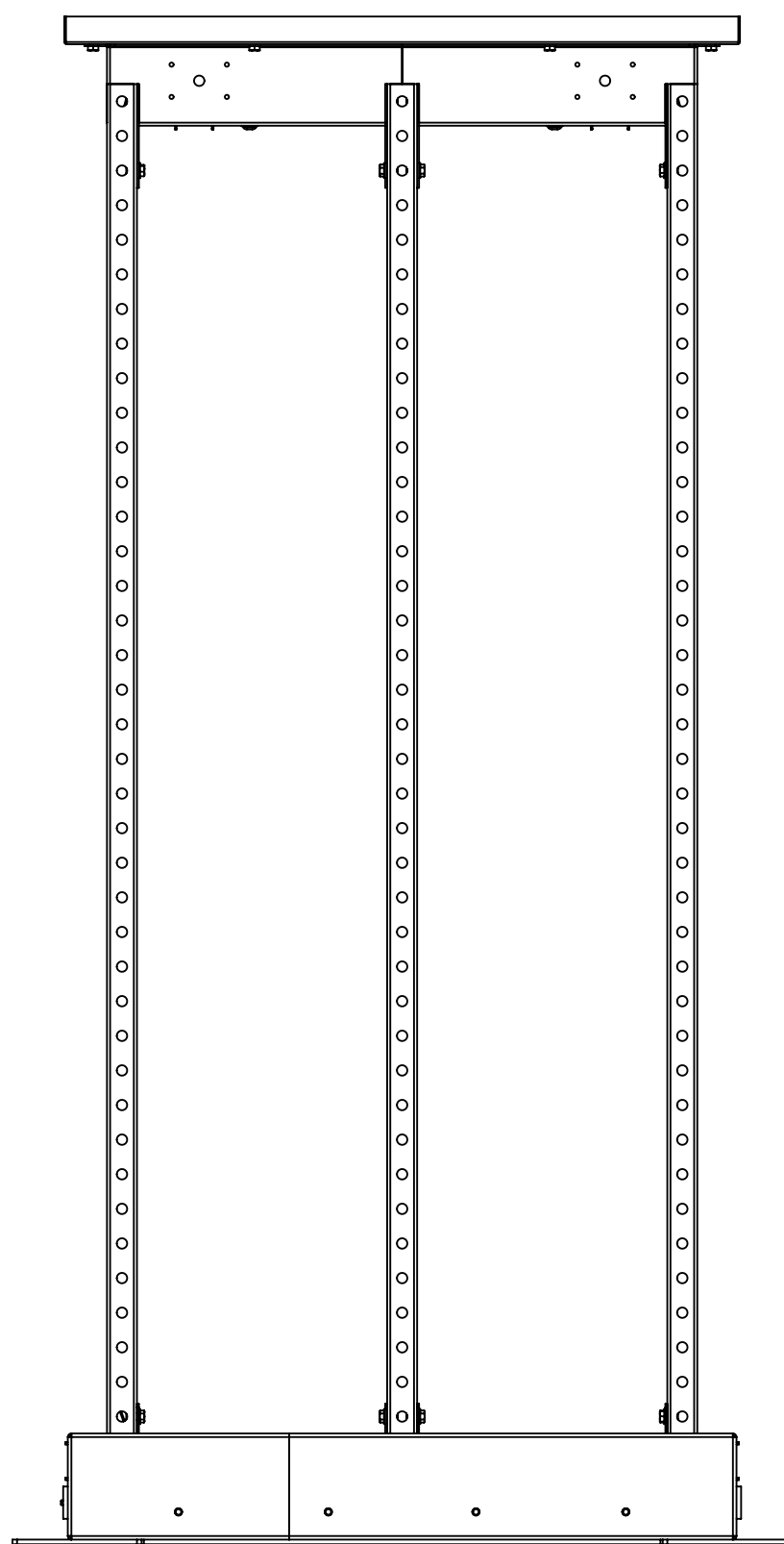
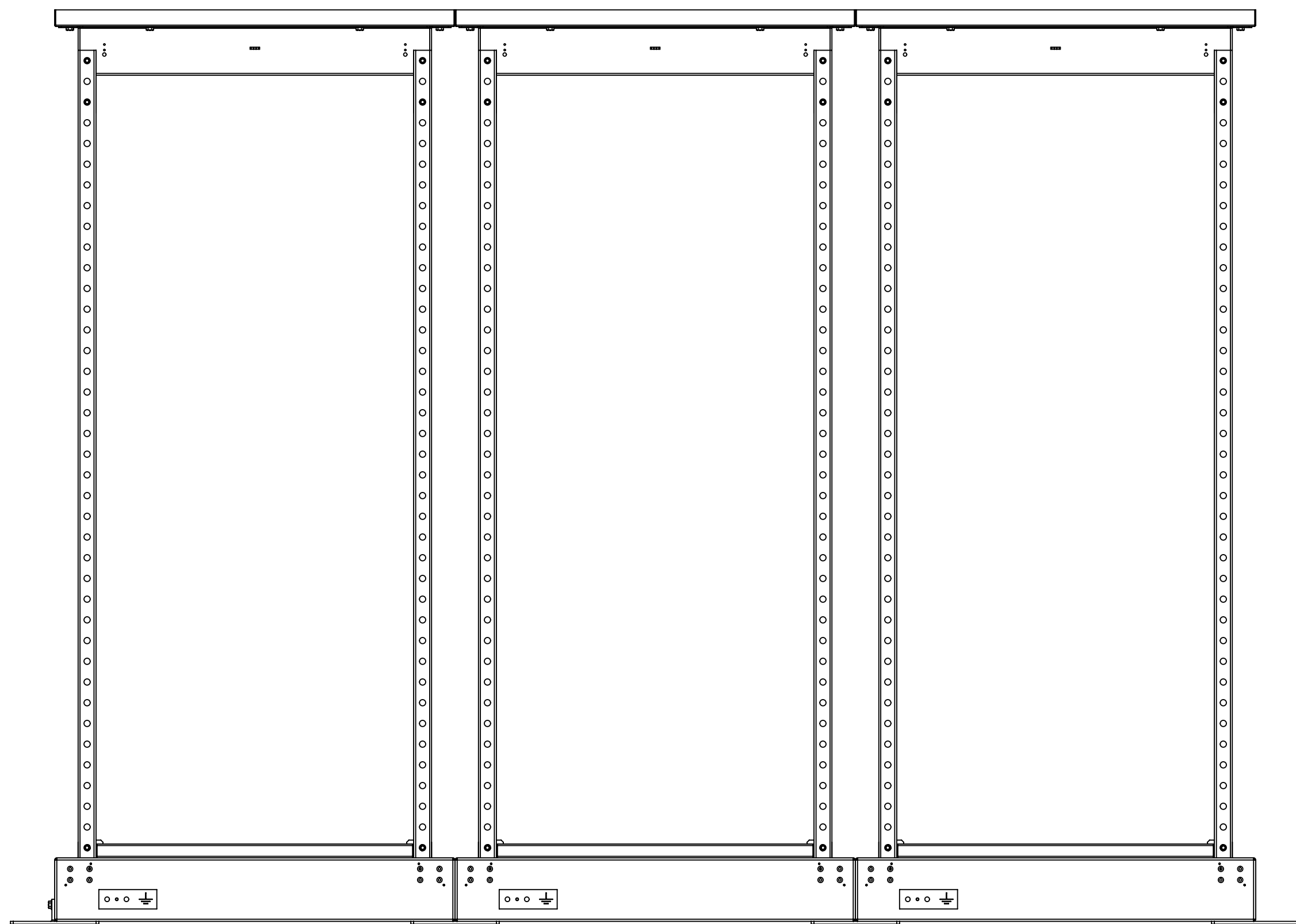
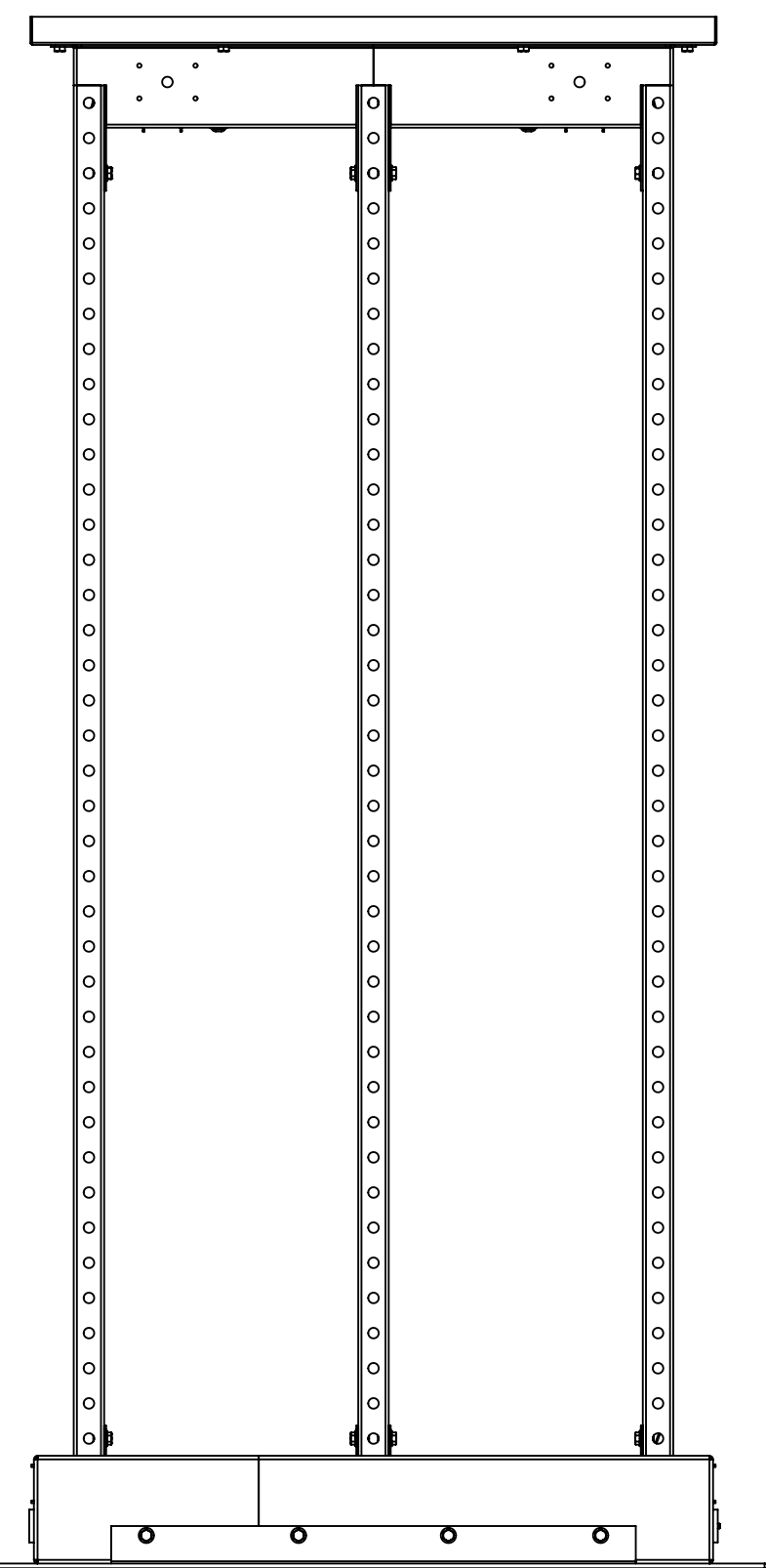


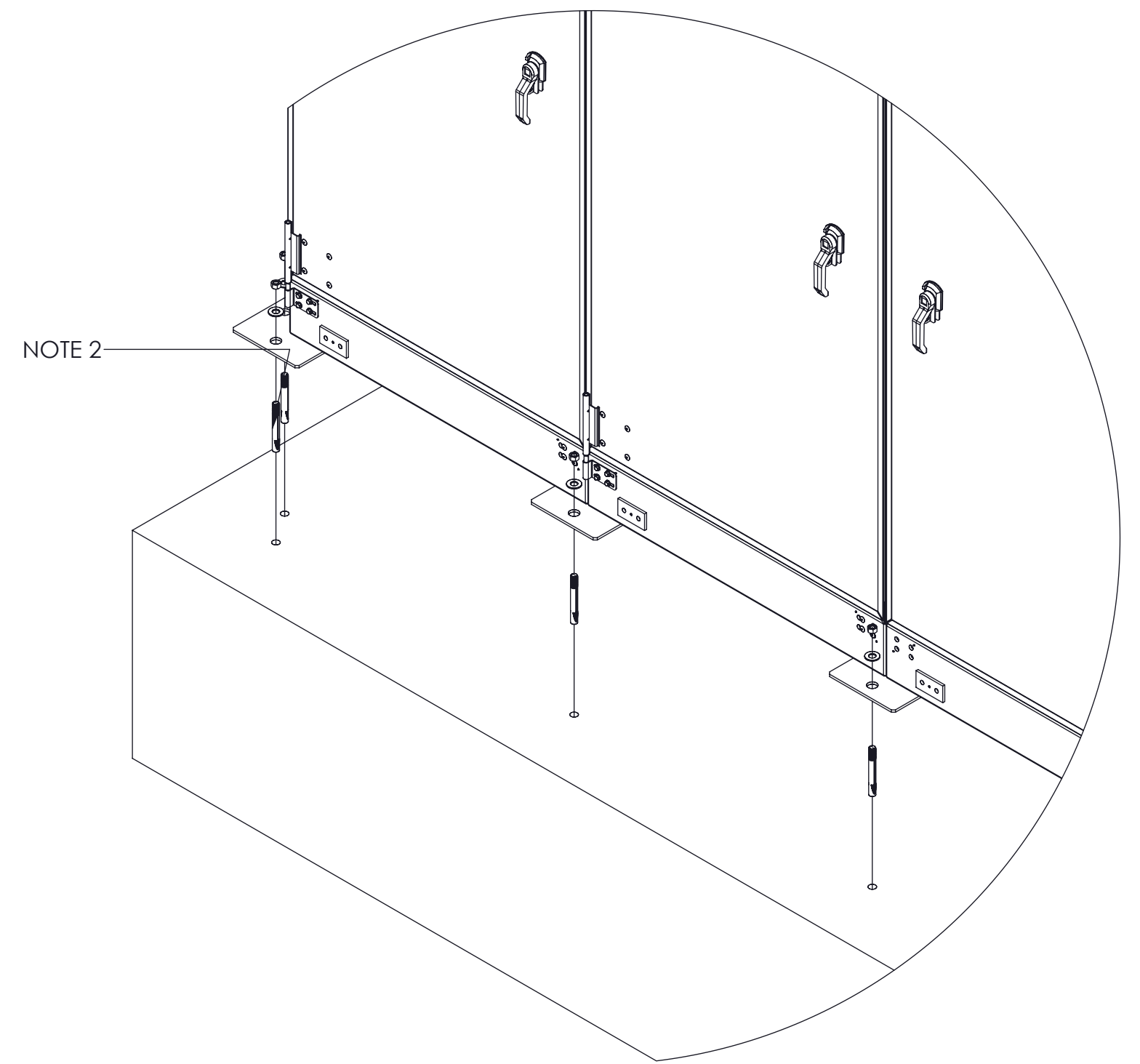
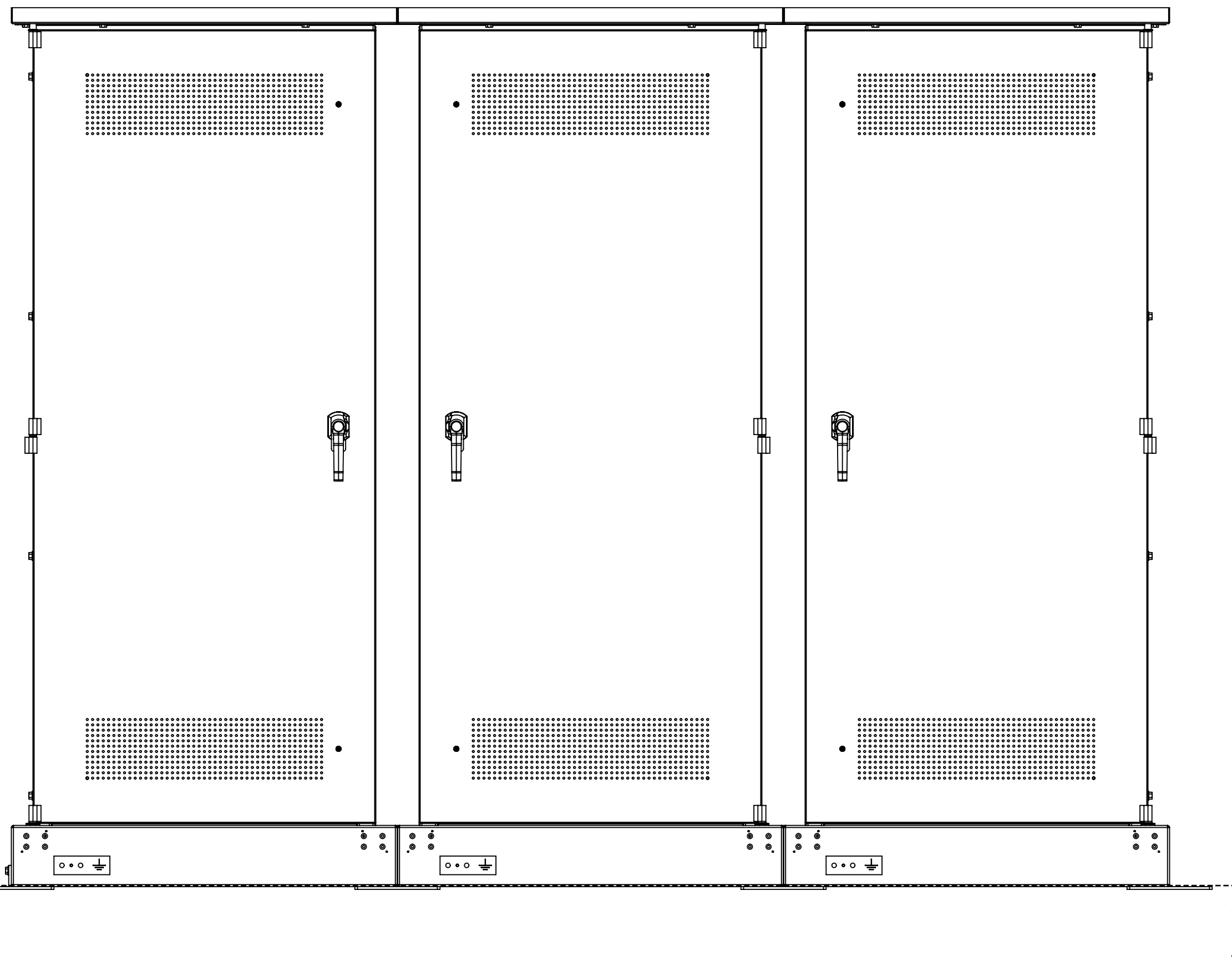
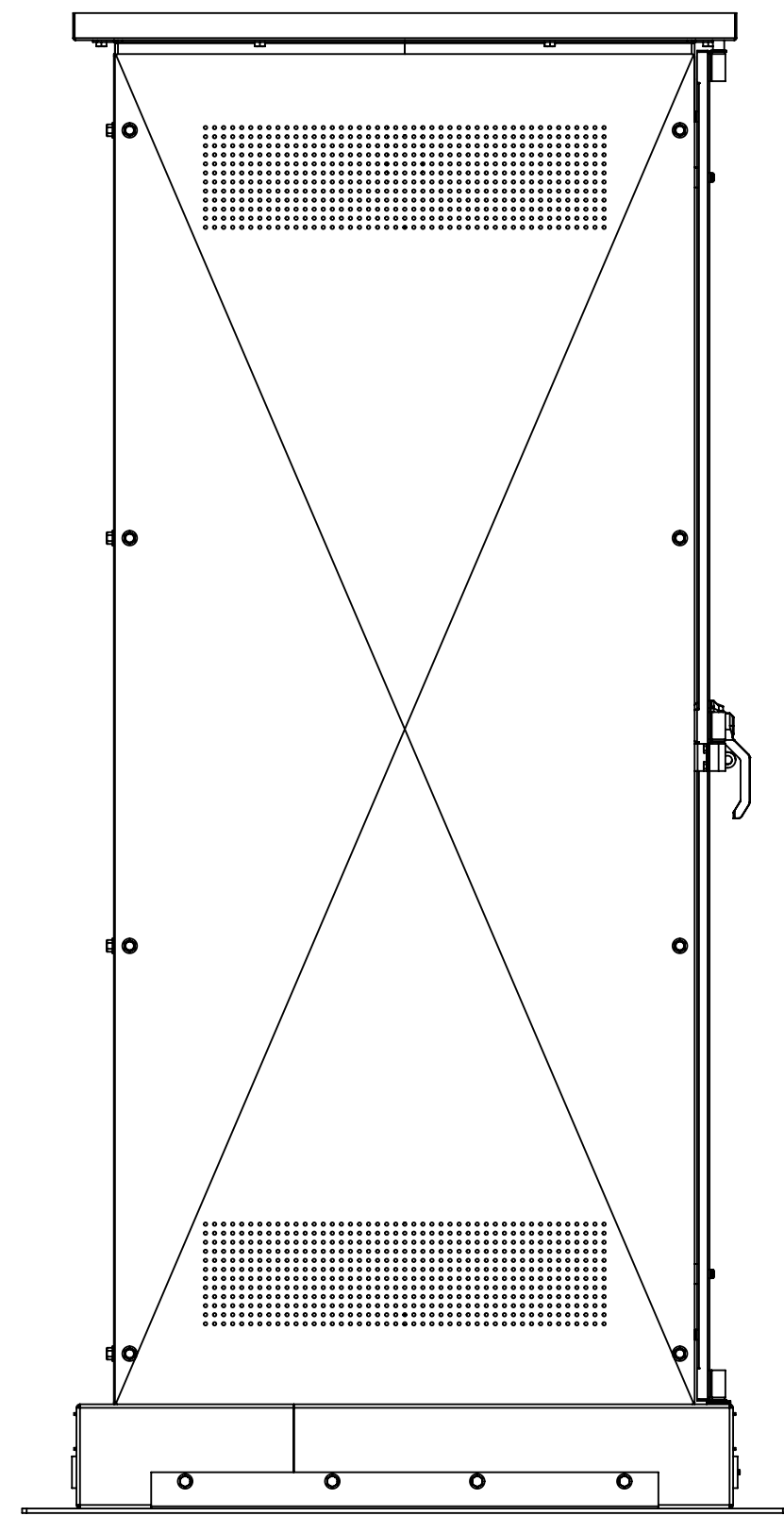
- DESIGN NOTES:
- ENCLOSURE IS A NEMA-1 TYPE CABINET WITH GASKETING AND FOAM INJECTED PANELING. FINISH IS ANSI 61 GREY POWDERCOAT.
 - LOCATE UNIT ONTO A PERMANENT, FLAT, AND LEVELED SURFACE, PREFERABLY CONCRETE OR OTHER FIREPROOF MATERIAL. SURFACE MUST BE CAPABLE OF SUPPORTING WEIGHT OF COMPLETE SYSTEM AND INSTALLED COMPONENTS. SEE FOUNDATION DRAWING (JE5276-03) FOR LOADING INFORMATION.
 - THE WEIGHT OF THE CONSOLE WITHOUT BATTERIES IS 1138lb [516kg]
 - FOR LIFTING, USE OPTIONAL STRAPPING SYSTEM SEE EI5196-01.

REV	DRN	CHK	APP	DATE	DRN	DATE	DRN	DATE	 HINDLEPOWER <small>1075 East 10th Street Suite 101 - 1000 East Portland, OR 97216 www.hindlepower.com</small>	
0	KJB	RCF	RCF	05/13/24	KJB	05/13/24	KJB	05/13/24		
DESCRIPTION					CHK BY		DATE		TITLE EPIC SERIES 2.0 CONSOLE OUTLINE: NEMA 3R STYLE 5063 ENCL SALES ORDER No. N/A	
Initial Release					RCF		05/13/24			
APP BY					DATE		DATE		UNLESS OTHERWISE SPECIFIED ALL DIMENSIONS FOLLOW THE ANSI Y14.5 (INCHES IN PARENTS & DECIMALS IN PARENTS ARE PER ANSI Y14.5 DEC = 0.015, ANG = 25°)	
RCF					05/13/24		05/13/24			
					SCALE		DWGS No.		REV	SHEET
					D		1:12		0	1 OF 1



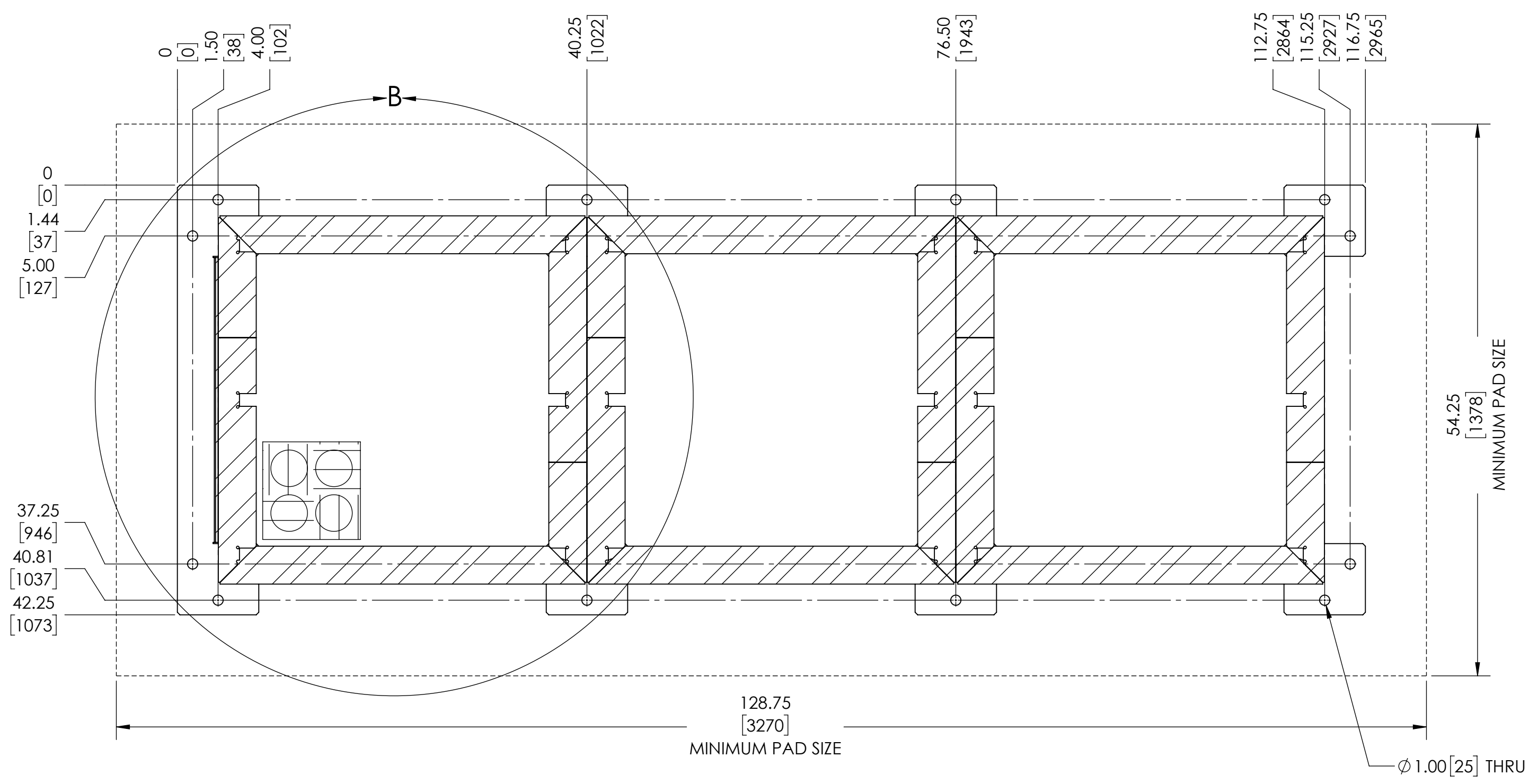
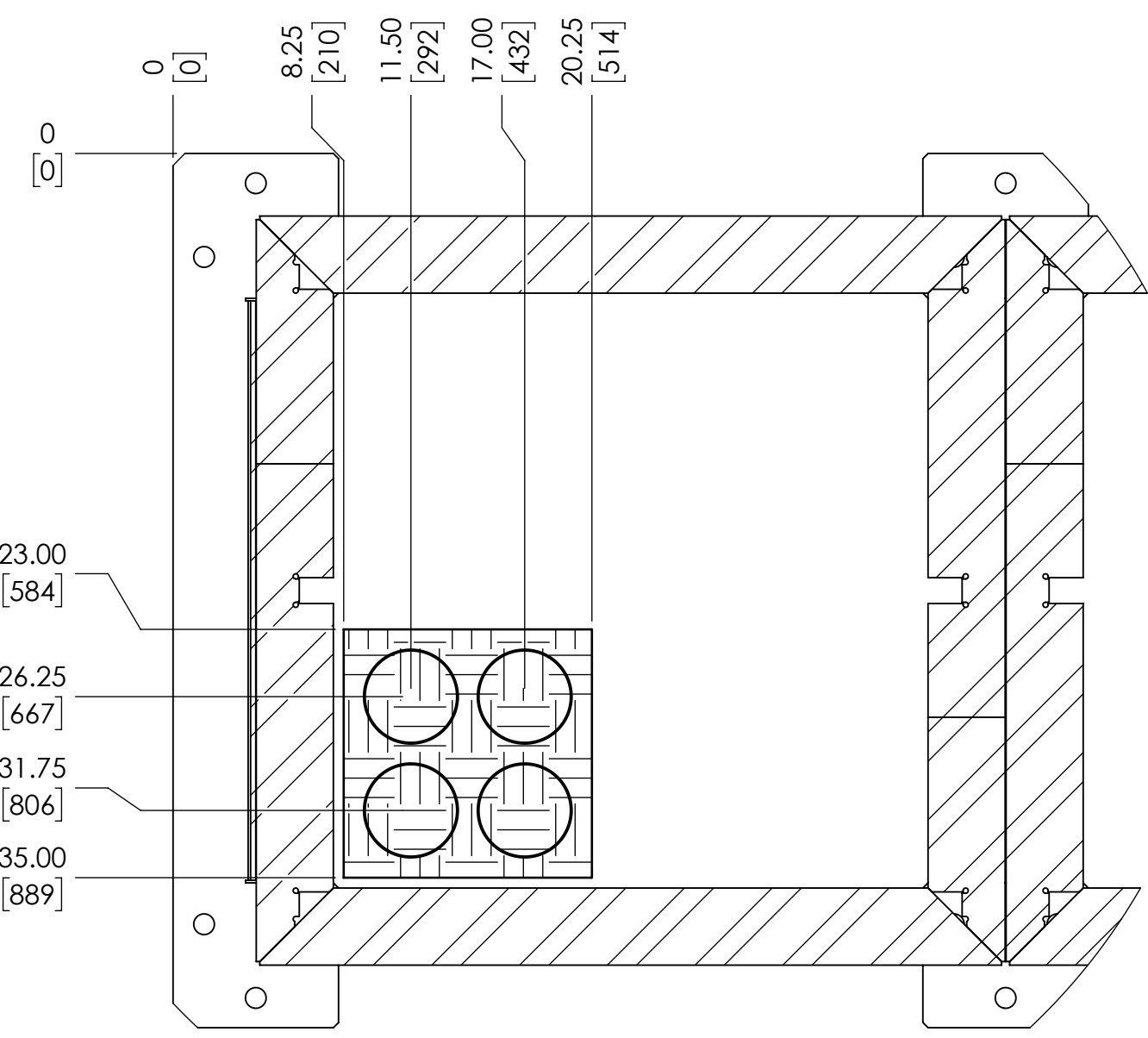
1. TO PROVIDE A CLEAR VIEW OF THE CONSOLE INTERNAL COMPONENTS, THE FOLLOWING ITEMS ARE NOT SHOWN:
 - FRONT DOORS
 - REAR PANELS/DOORS
 - LEFT AND RIGHT SIDE PANELS
2. DO NOT LIFT, PUSH OR RELOCATE THE EPIC CONSOLE WITH BATTERIES INSTALLED WITHIN ENCLOSURE.
3. BATTERY TYPE: ## (## JARS)

REV	DRN BY	CHK BY	APP BY	DATE	DRN BY	DATE	HINDLEPOWER <small>10750 1st Street Dallas, TX 75248 Phone: 972.981.1800 www.hindlepower.com</small>
0	KJB	RCF	RCF	05/13/24	KJB	05/13/24	
DESCRIPTION					CHK BY	DATE	TITLE
Initial Release					RCF	05/13/24	EPIC SERIES 2.0 CONSOLE
					APP BY	DATE	INTERNAL LAYOUT: 0 ELEC. / 1 BATT.
					RCF	05/13/24	SALES ORDER No. N/A
					<small>UNLESS OTHERWISE SPECIFIED ALL DIMENSIONS FOLLOW THE AND 1/16" DIA'S (INCHES) POLYNES & SECONDS TOLERANCES ARE: FINISH ± 0.004 DEC ± 0.010, ANG ± 0.01°</small>		
			SCALE	DWG No	REV	SHEET	
			1:10	JE5270-03	0	1 OF 1	



A-A
MOUNTING DIMENSIONS

STUB-UP LOCATIONS
DETAIL B
SCALE 1 : 8



- NOTES:
1. MOUNTING DIMENSIONS SHOWN ON DRAWING ARE FINAL. WE RECOMMEND PLACING CONSOLE THEN DRILLING FOR MOUNTING ANCHORS.
 2. ANCHOR BOLTS ARE TO BE HILTI M12 HDA-TR STAINLESS STEEL UNDERCUT (OR EQUIVALENT). HOLE DEPTH TO BE MINIMUM OF 5.3" [135mm], PAD DEPTH TO BE MINIMUM OF 8.0" [203mm]
 3. CONCRETE PAD TO EXTEND A MINIMUM OF 6" [153mm] FROM EDGE OF CABINET ON ALL SIDES. SEE MOUNTING DIMENSIONS TO LEFT. THE WEIGHT OF THE CONSOLE WITH BATTERIES (SPECIFIED IN PURCHASE ORDER) IS 1138lb [516kg]
 4. CONCRETE PAD TO BE 4000 psi OR GREATER.
 5. ELECTRICAL CONDUIT MAY ENTER FROM UNDERNEATH CABINET, BUT ONLY THROUGH STUB-UP LOCATIONS SHOWN IN DETAIL B.
 6. CONDUIT ENTRY POSSIBLE THROUGH FIELD MODIFIED SIDE.

REV	DRN	CHK	APP	DATE	DRN	DATE	DRN	DATE	DRN	DATE	DRN	DATE
0	KJB	RCF	RCF	05/13/24	KJB	05/13/24	KJB	05/13/24	KJB	05/13/24	KJB	05/13/24
DESCRIPTION				TITLE								
Initial Release				EPIC SERIES 2.0 CONSOLE FOUNDATION DRAWINGS				SALES ORDER No. N/A				
APP BY				SCALE				REV				
RCF				1:10				0				
DATE				DWGS No.				SHEET				
05/13/24				JE5276-03				1 OF 1				