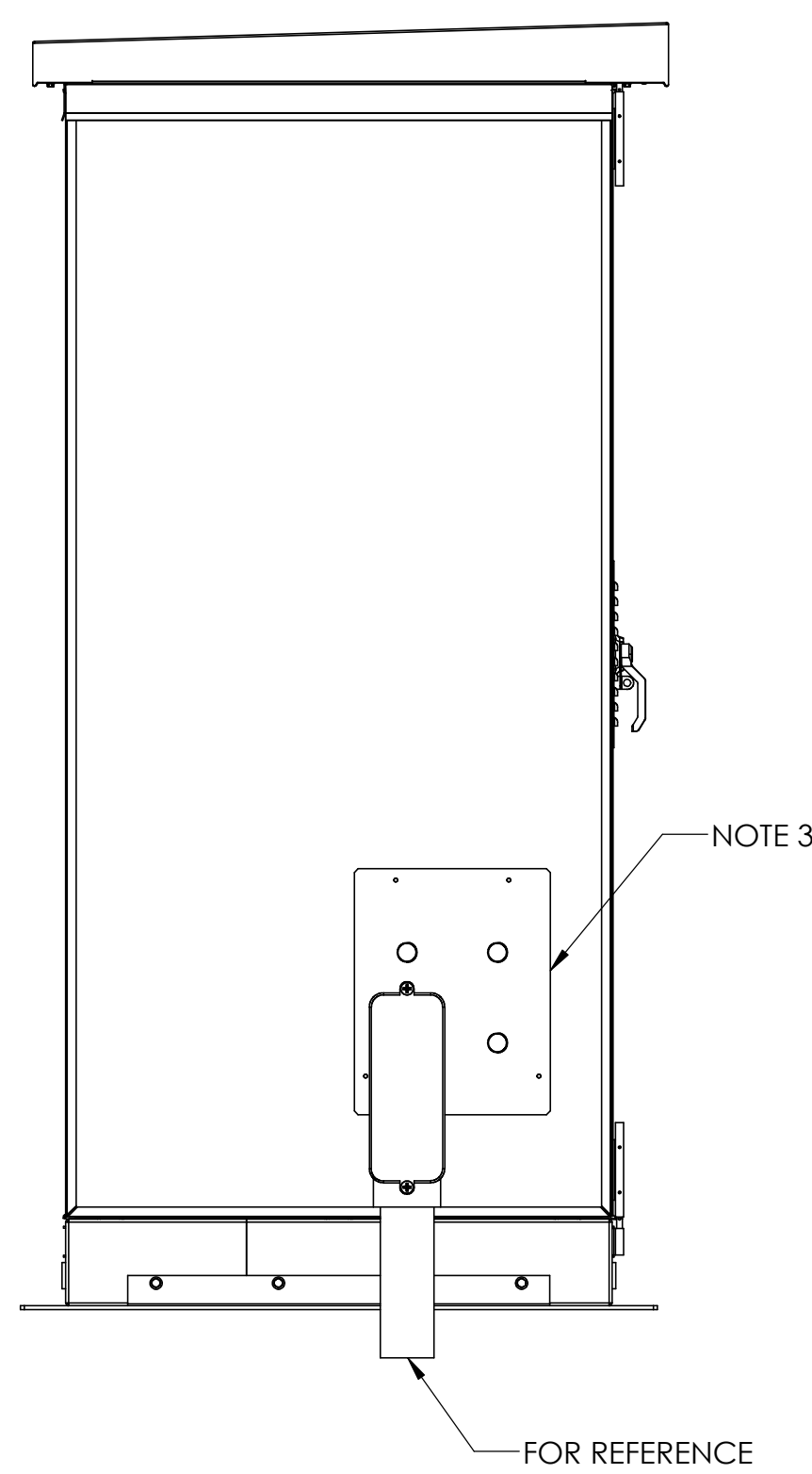
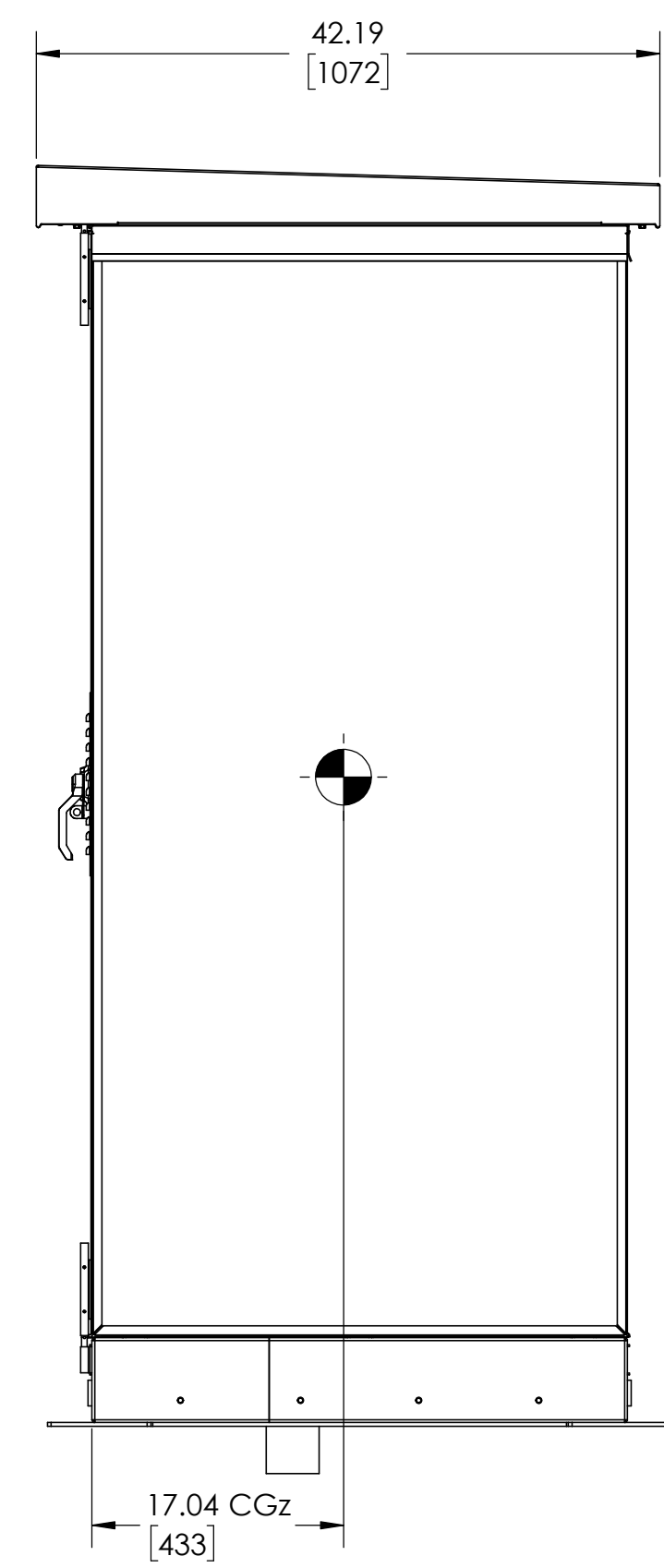
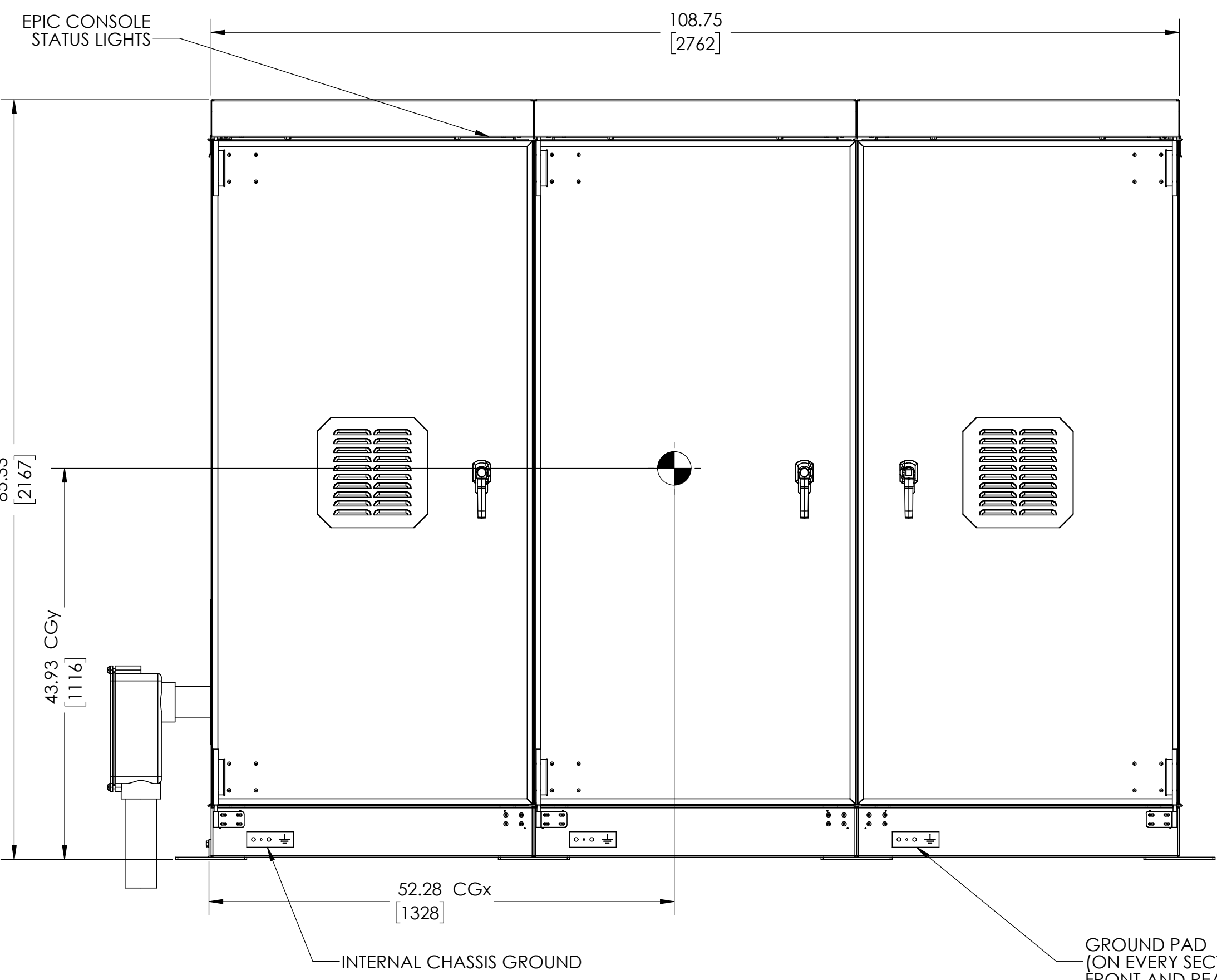
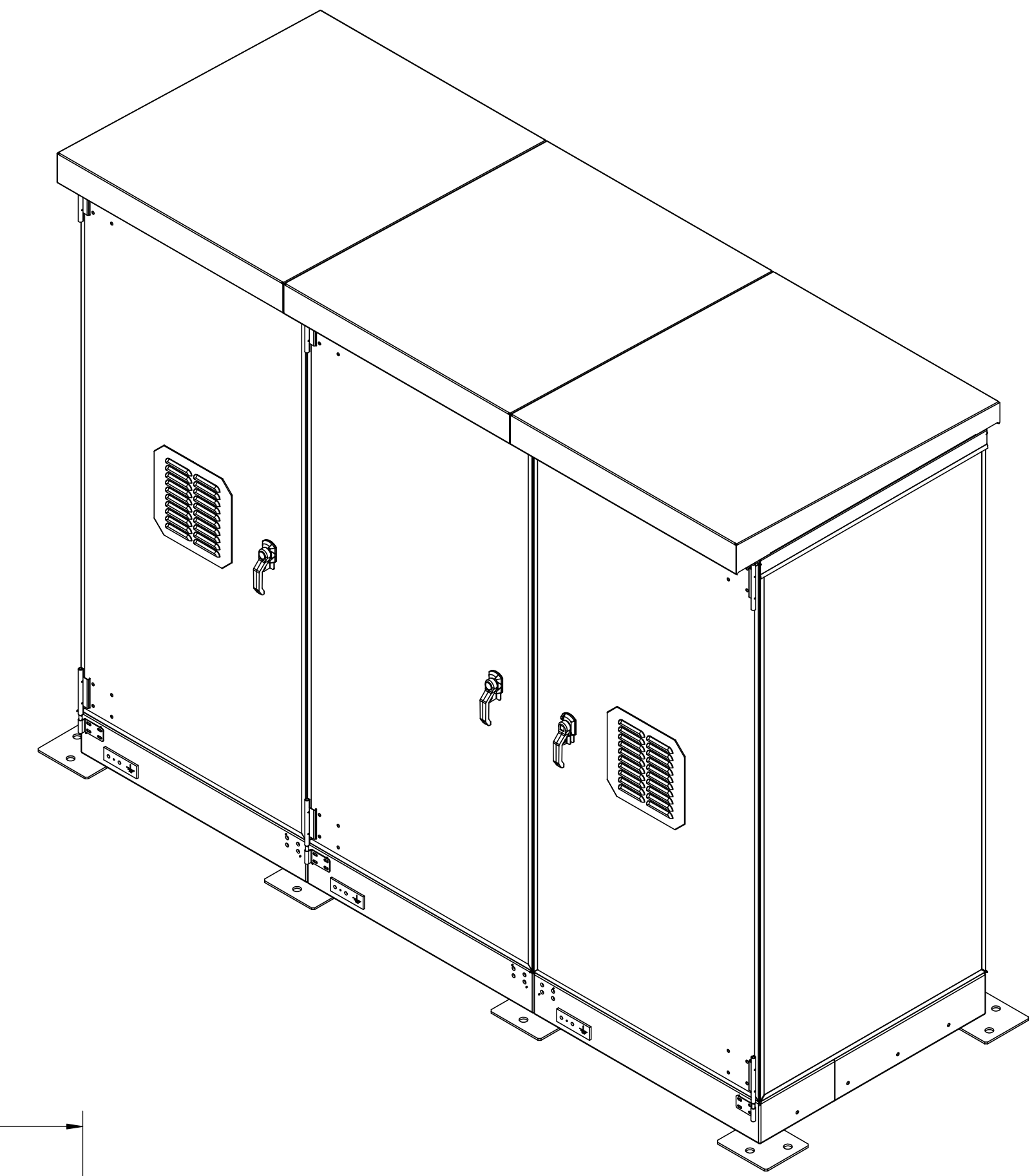
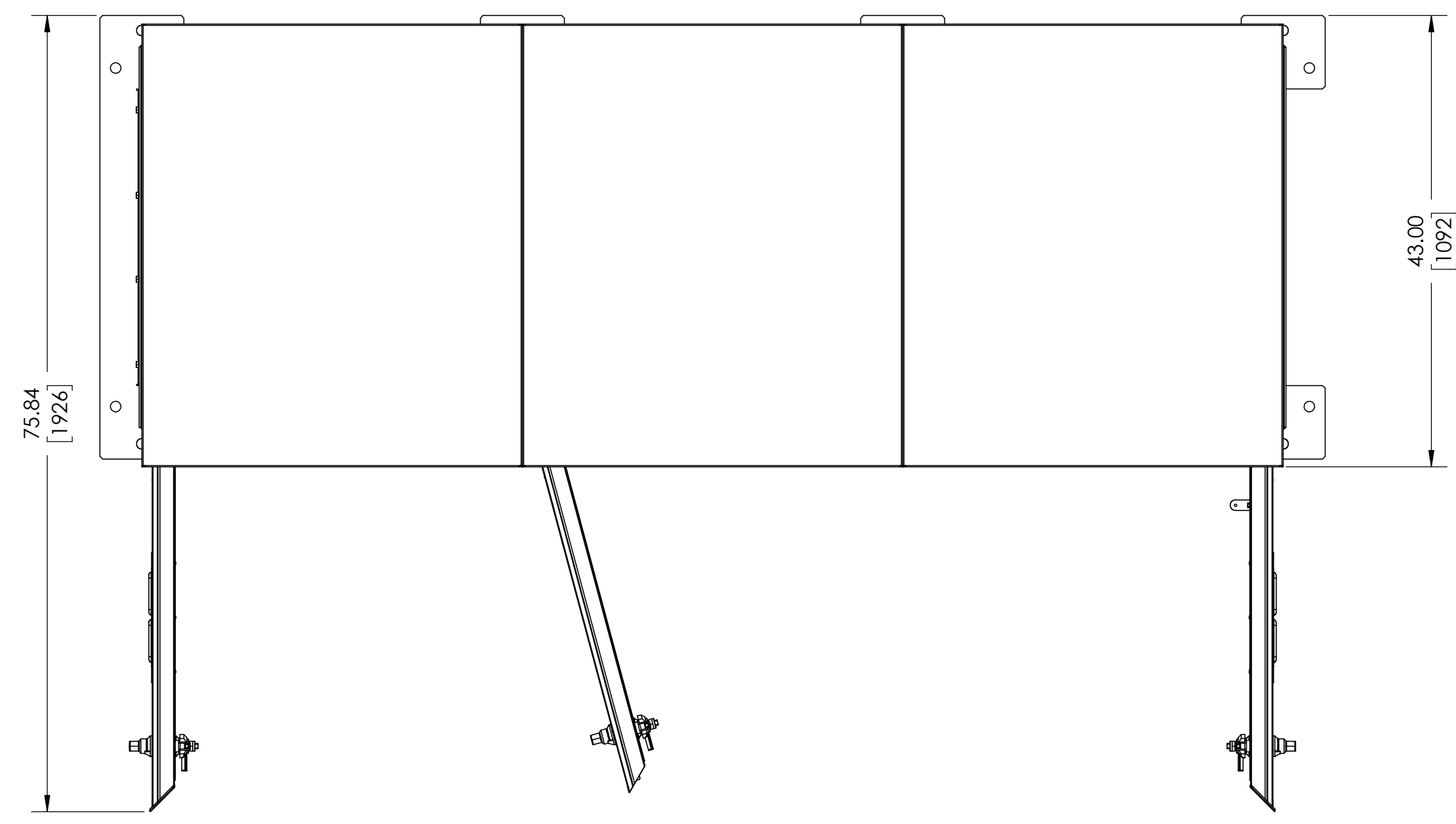


8 7 6 5 4 3 2 1



- DESIGN NOTES:
- ENCLOSURE IS A NEMA-3R TYPE CABINET WITH GASKETING AND FOAM INJECTED PANELING. FINISH IS ANSI 61 GREY POWDERCOAT.
 - HINGES MADE OF STAINLESS STEEL GRADE 316
 - CONDUIT ENTRY PROVIDED THROUGH SIDE PANEL 10.5in BY 14in GLAND PLATE AVAILABLE FOR KNOCKOUT. SEE FOUNDATION DRAWINGS (JE5276-03) FOR KNOCKOUT LOCATIONS. CONDUIT ACCESS ALSO AVAILABLE FROM UNDERNEATH CABINET.
 - LOCATE UNIT ONTO A PERMANENT, FLAT, AND LEVELED SURFACE, PREFERABLY CONCRETE OR OTHER FIREPROOF MATERIAL. SURFACE MUST BE CAPABLE OF SUPPORTING WEIGHT OF COMPLETE SYSTEM AND INSTALLED COMPONENTS. SEE FOUNDATION DRAWING (JE5276-03) FOR LOADING INFORMATION.
 - VENTILATION AND THERMAL MANAGEMENT OF BATTERIES PER IEEE 1635. SEISMIC CERTIFICATION PER IEEE 693.
 - THE WEIGHT OF THE CONSOLE WITHOUT BATTERIES IS 1133lb [514kg]
 - FOR LIFTING, USE OPTIONAL STRAPPING SYSTEM (SEE E15196-02).

C:\Hindle Vault\Custom Drawings\CONSOLES 2.1\Standard Drawings\#-03

REV DRN BY CHK BY APP BY DATE	DRN BY DATE		TITLE EPIC SERIES 2.0 CONSOLE OUTLINE: NEMA 3R STYLE 5063 ENCL SALES ORDER No. N/A
B KJB KMW RCF 6/12/2023	KJB 10/18/2021		
DESCRIPTION	CHK BY DATE	ALL DIMENSIONS SPECIFIED UNLESS OTHERWISE SPECIFIED ARE IN INCHES EXCEPT THE DIMENSIONS IN PARENTHESIS WHICH ARE IN MILLIMETERS DECIMALS ARE 1/16"	
UPDATED TO NEW DESIGN.	CMF 10/18/2021	SCALE DWG No REV SHEET D 1:12 JE5269-03 B 1 OF 1	
APP BY DATE RCF 10/18/2021		PROPERTY AND CONFIDENTIAL NOTICE ANY REPRODUCTION, PARTIAL OR AS A WHOLE OF THIS DOCUMENT WITHOUT THE WRITTEN PERMISSION OF HINDLE POWER, INC IS STRICTLY PROHIBITED.	

8 7 6 5 4 3 2 1

8

7

6

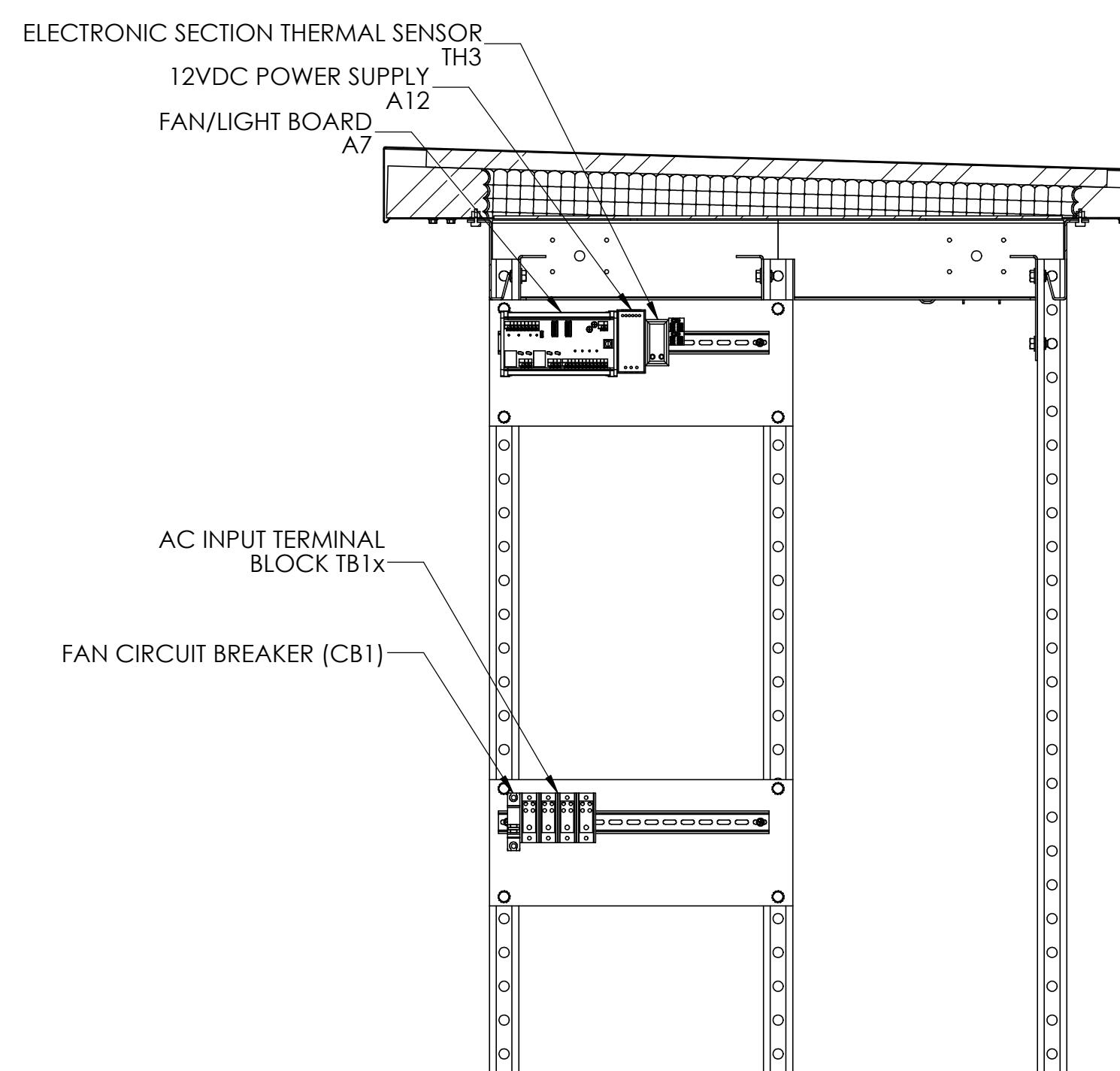
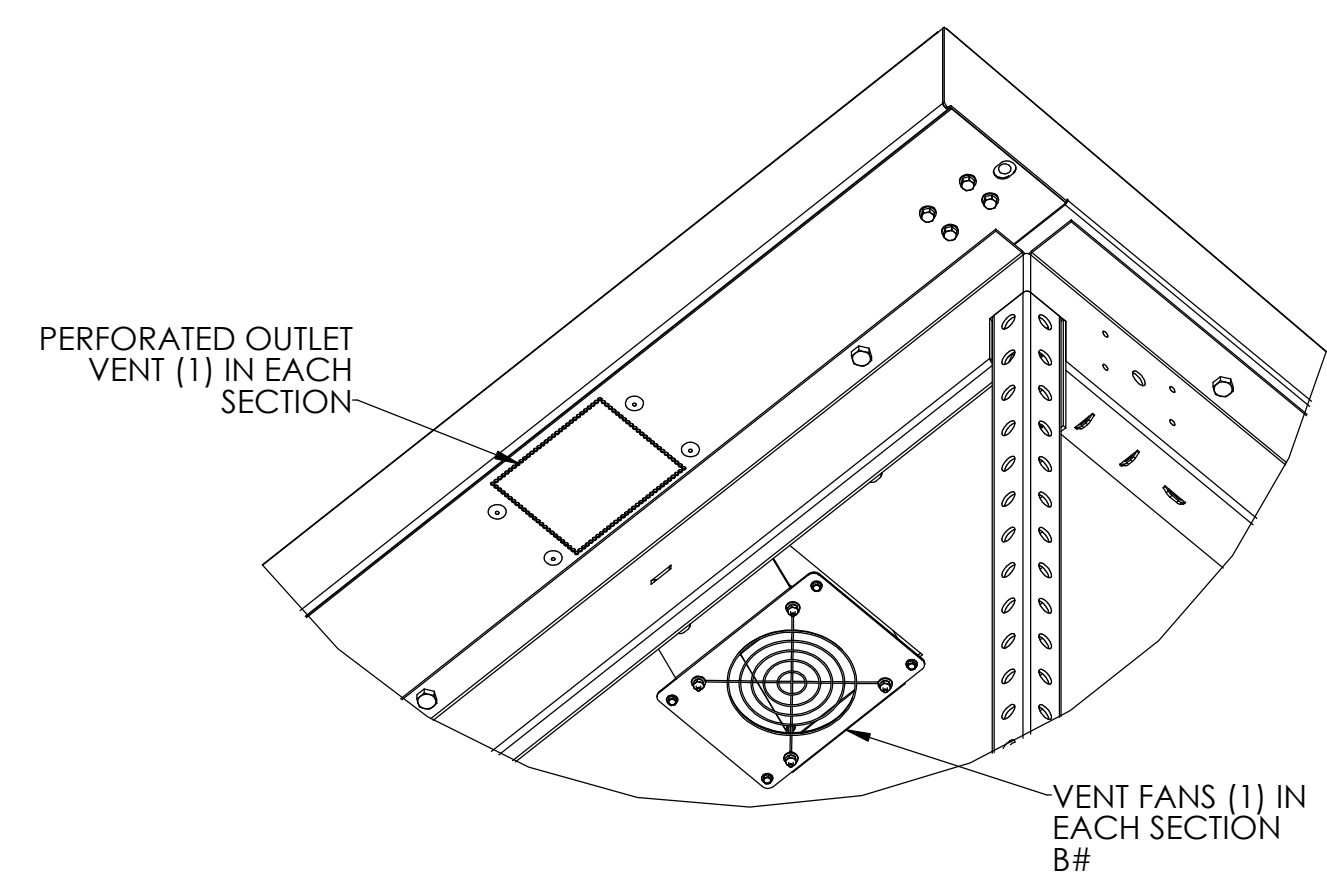
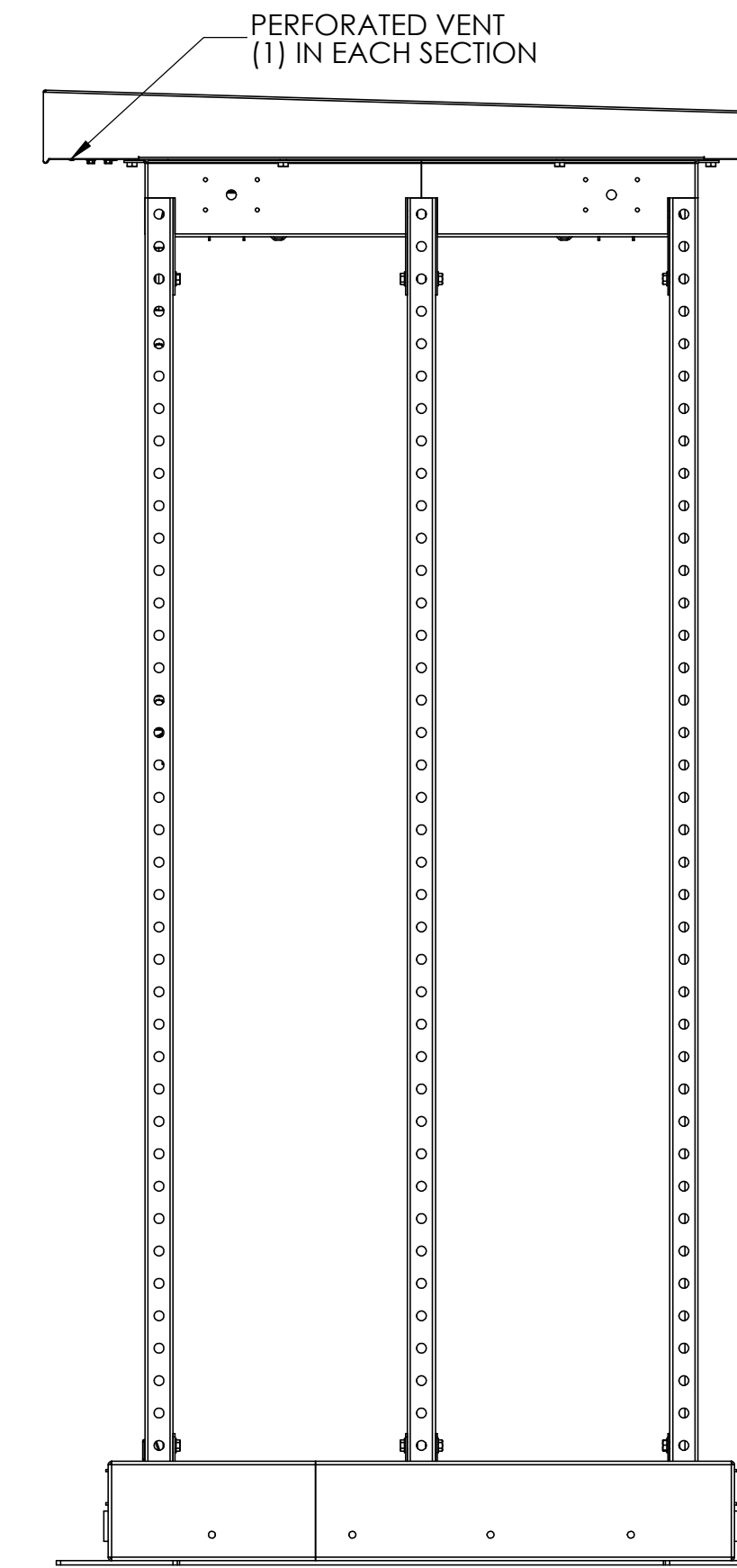
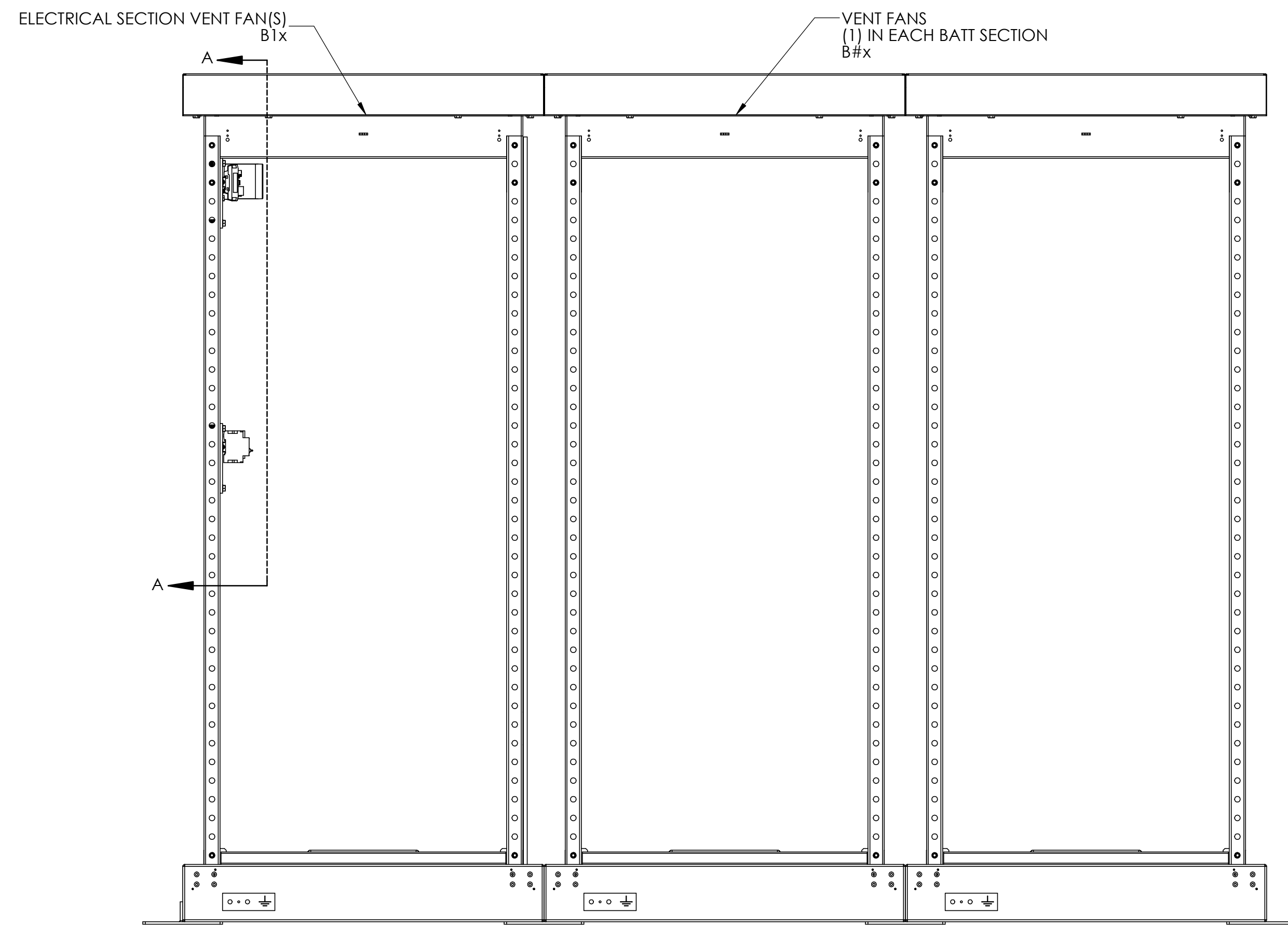
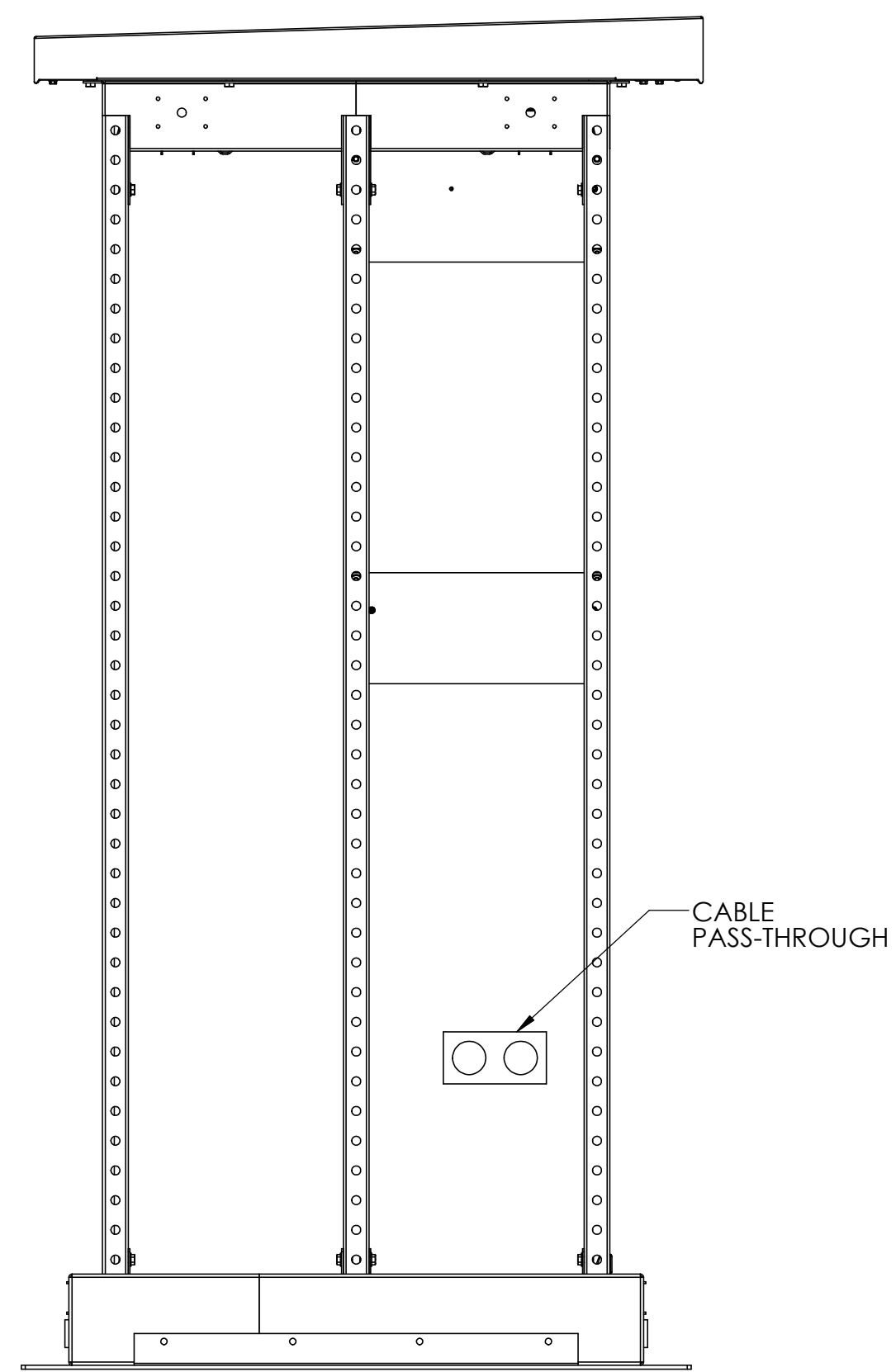
5

4

3

2

1

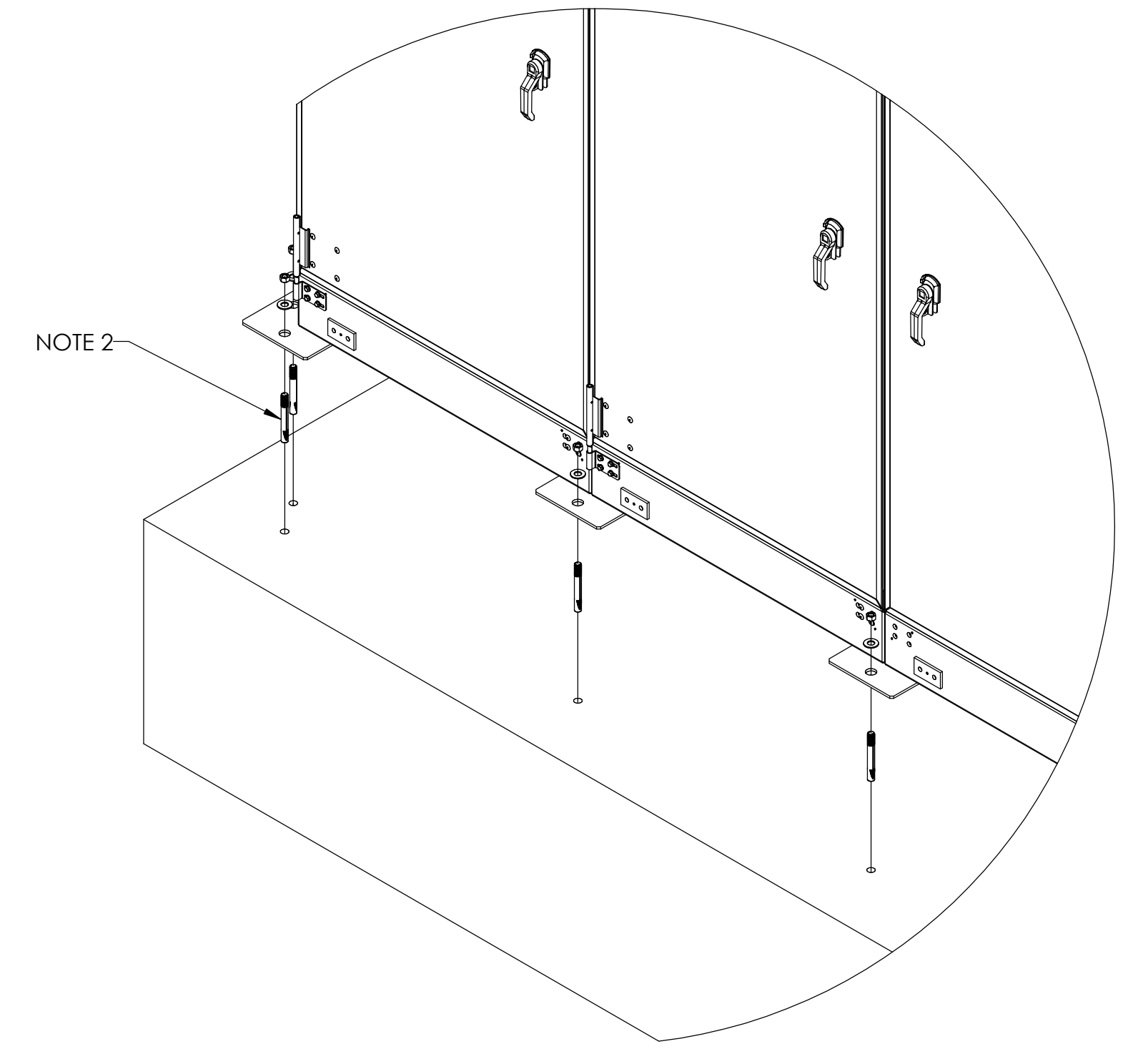
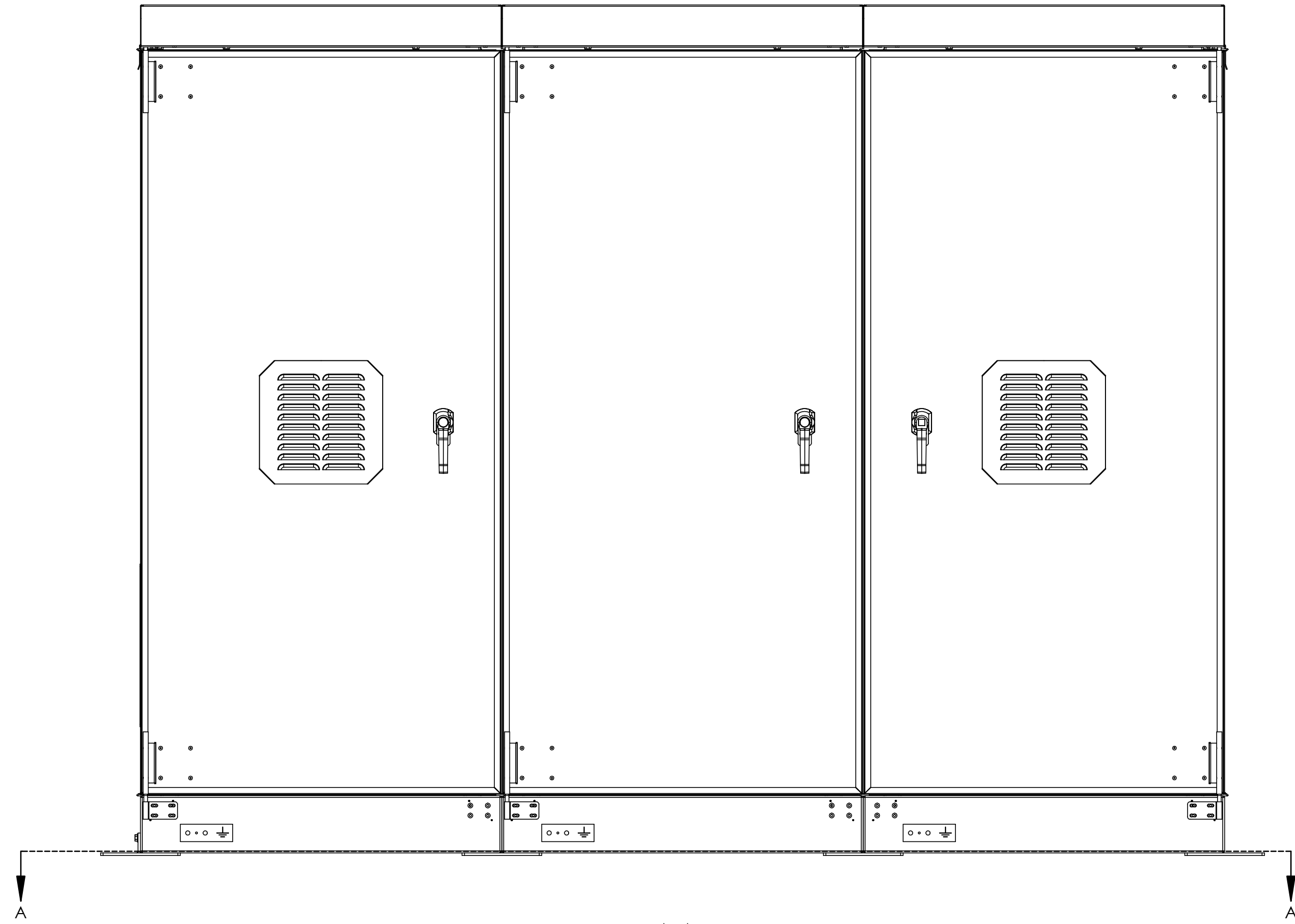
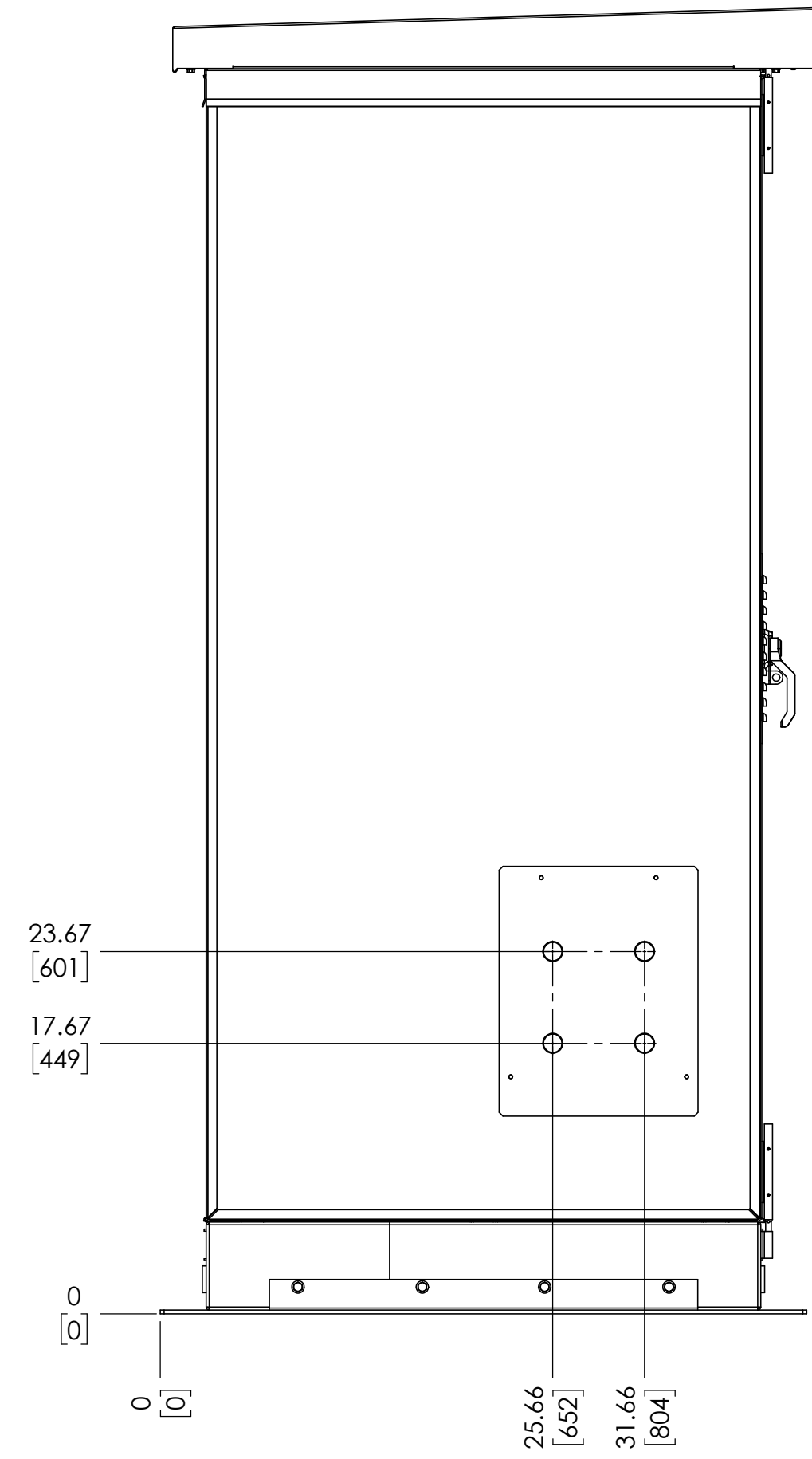


SECTION A-A
SCALE 1:8

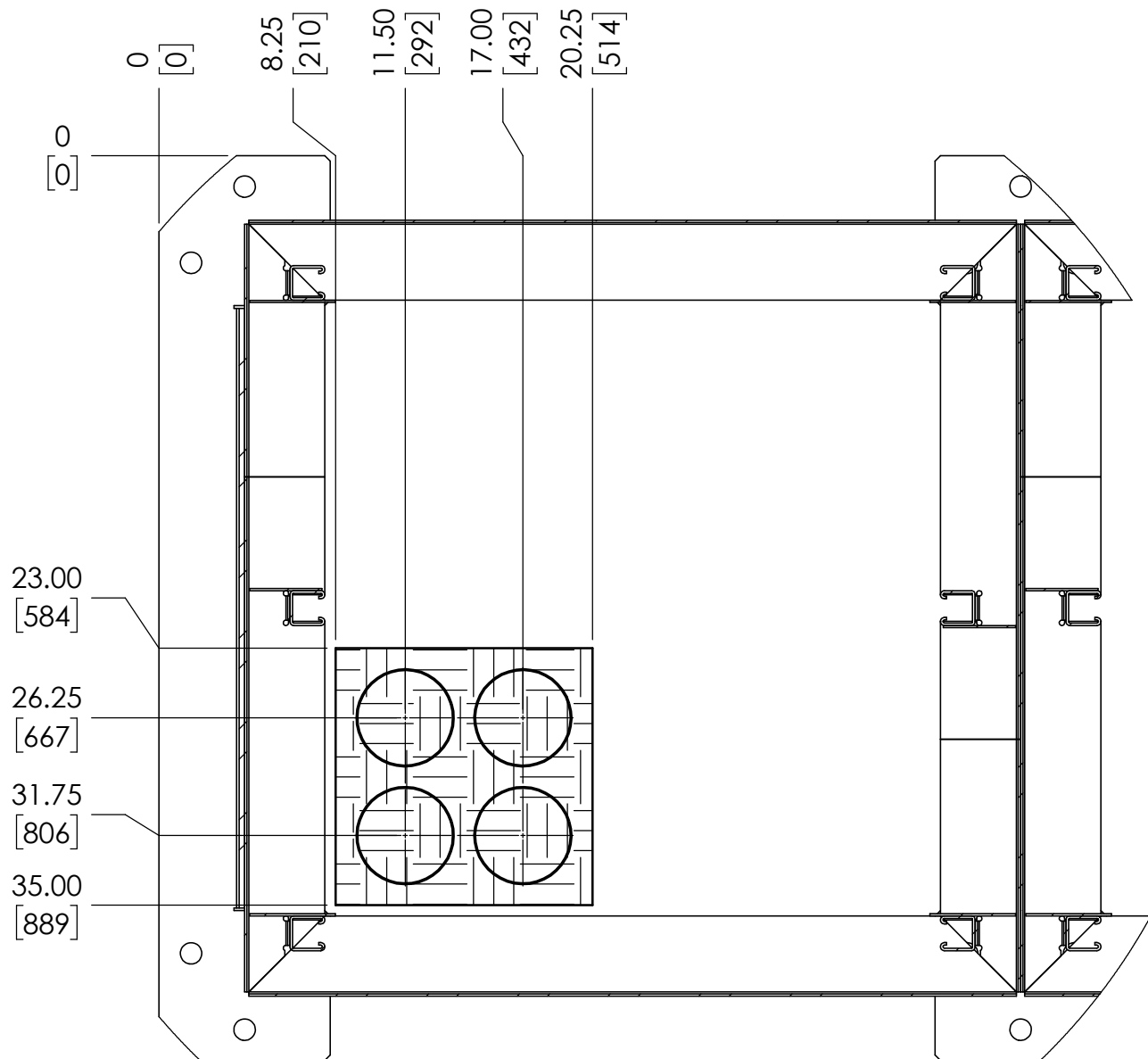
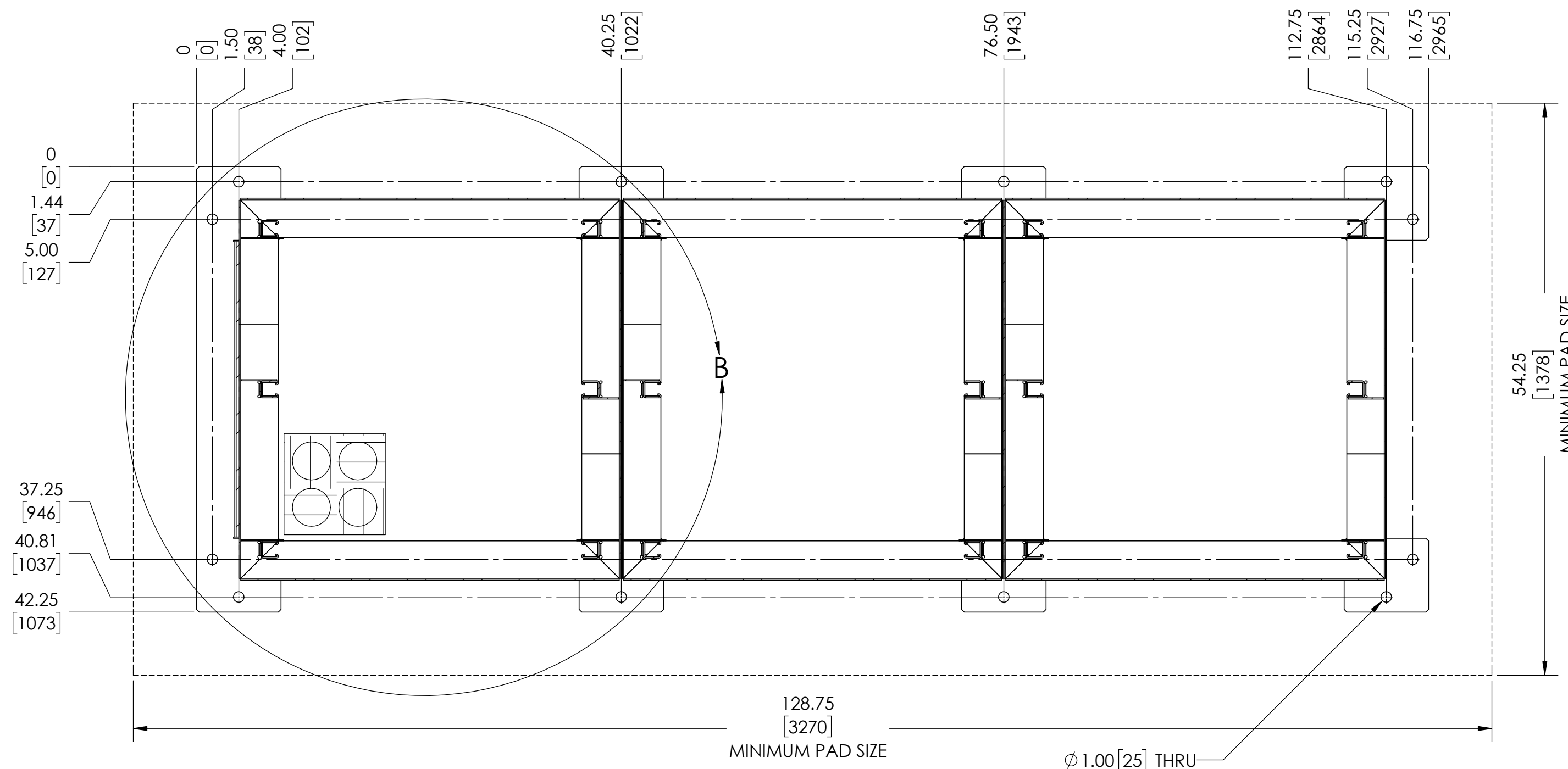
- TO PROVIDE A CLEAR VIEW OF THE CONSOLE INTERNAL COMPONENTS, THE FOLLOWING ITEMS ARE NOT SHOWN:
 - FRONT DOORS W/ EYE WASH
 - REAR PANELS/DOORS
 - LEFT AND RIGHT SIDE PANELS
- DO NOT LIFT, PUSH OR RELOCATE THE EPIC CONSOLE WITH BATTERIES INSTALLED WITHIN ENCLOSURE.
- BATTERY TYPE: ##### (# JARS)

C:\Hindle Vault\Custom Drawings\CONSOLES 2.1\Standard Drawings\#-03

REV	DRN BY	CHK BY	APP BY	DATE	DRN BY	DATE
B	KJB	KMW	RCF	6/12/2023	KJB	10/18/2021
DESCRIPTION				UPDATED TO NEW DESIGN.	CHK BY	DATE
				CMF	10/18/2021	
				APP BY	DATE	
				RCF	10/18/2021	
PROPERTY AND CONFIDENTIAL NOTICE				UNLESS OTHERWISE SPECIFIED ALL DIMENSIONS ARE TO THE CENTERLINE UNLESS NOTED OTHERWISE (INCHES & FRACTIONS & DECIMALS) TOLERANCES ARE: FINISH 0.004, DEC 0.010, AND 0.25"		
ANY REPRODUCTION, PARTIAL OR AS A WHOLE OF THIS DOCUMENT WITHOUT THE WRITTEN PERMISSION OF HINDLE POWER, INC IS STRICTLY PROHIBITED.						
TITLE				EPIC SERIES 2.0 CONSOLE		
				INTERNAL LAYOUT: 1 ELEC. / 2 BATT.		
				SALES ORDER No. N/A		
SCALE				DWG No.		
D 1:10				JES270-03		
REV				SHEET		
B				1 OF 1		



A-A
MOUNTING DIMENSIONS



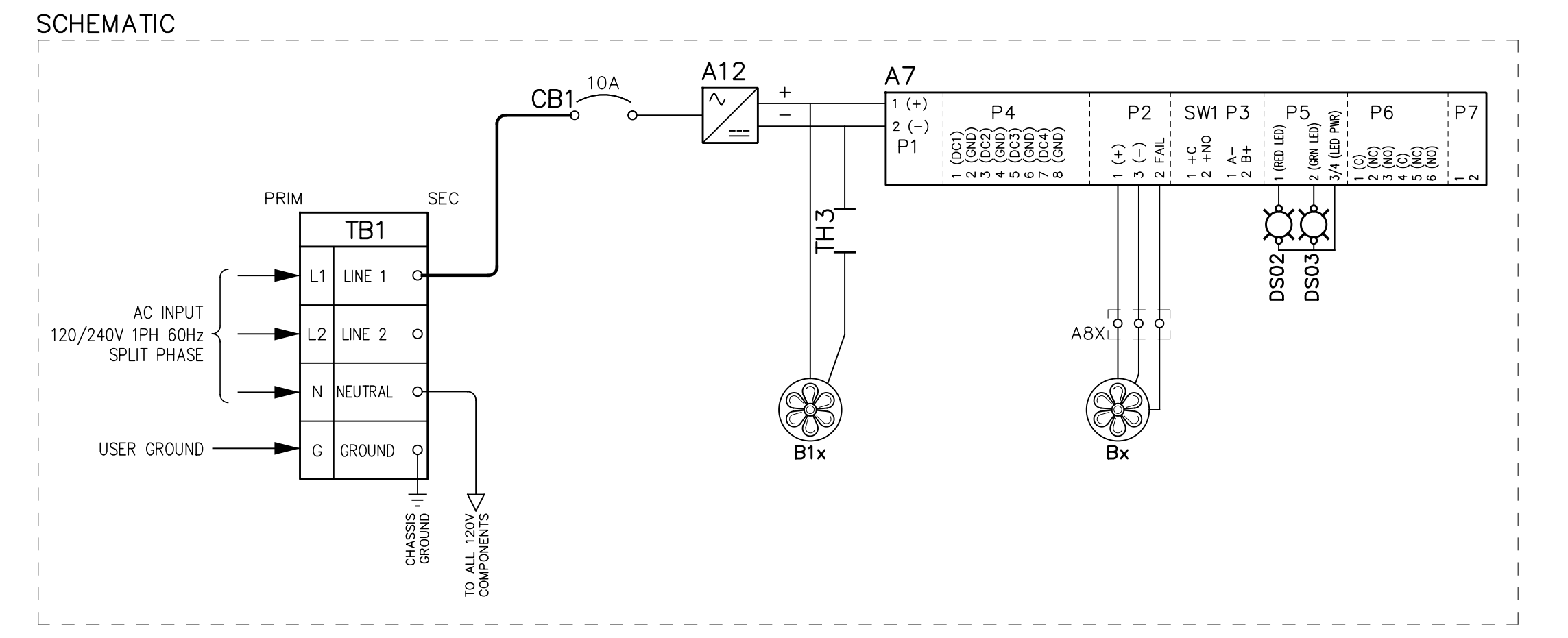
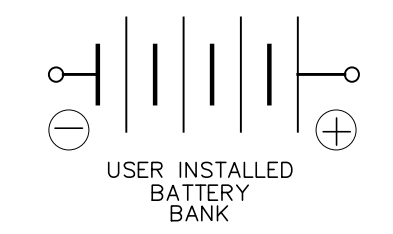
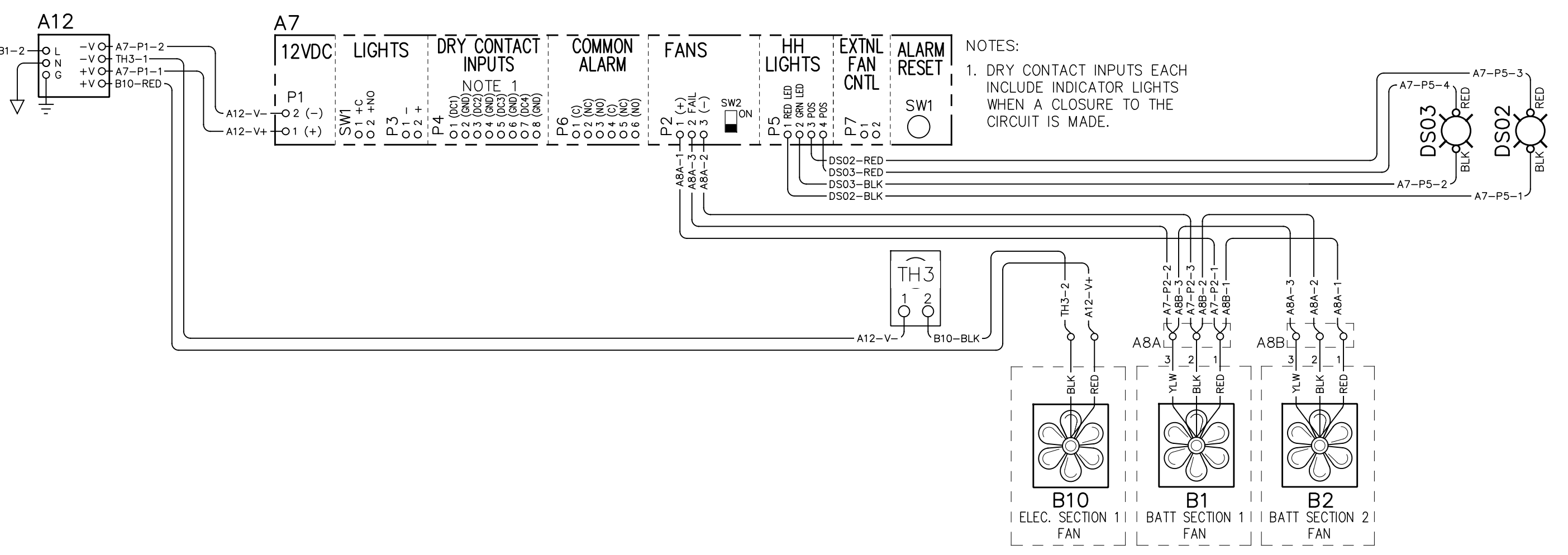
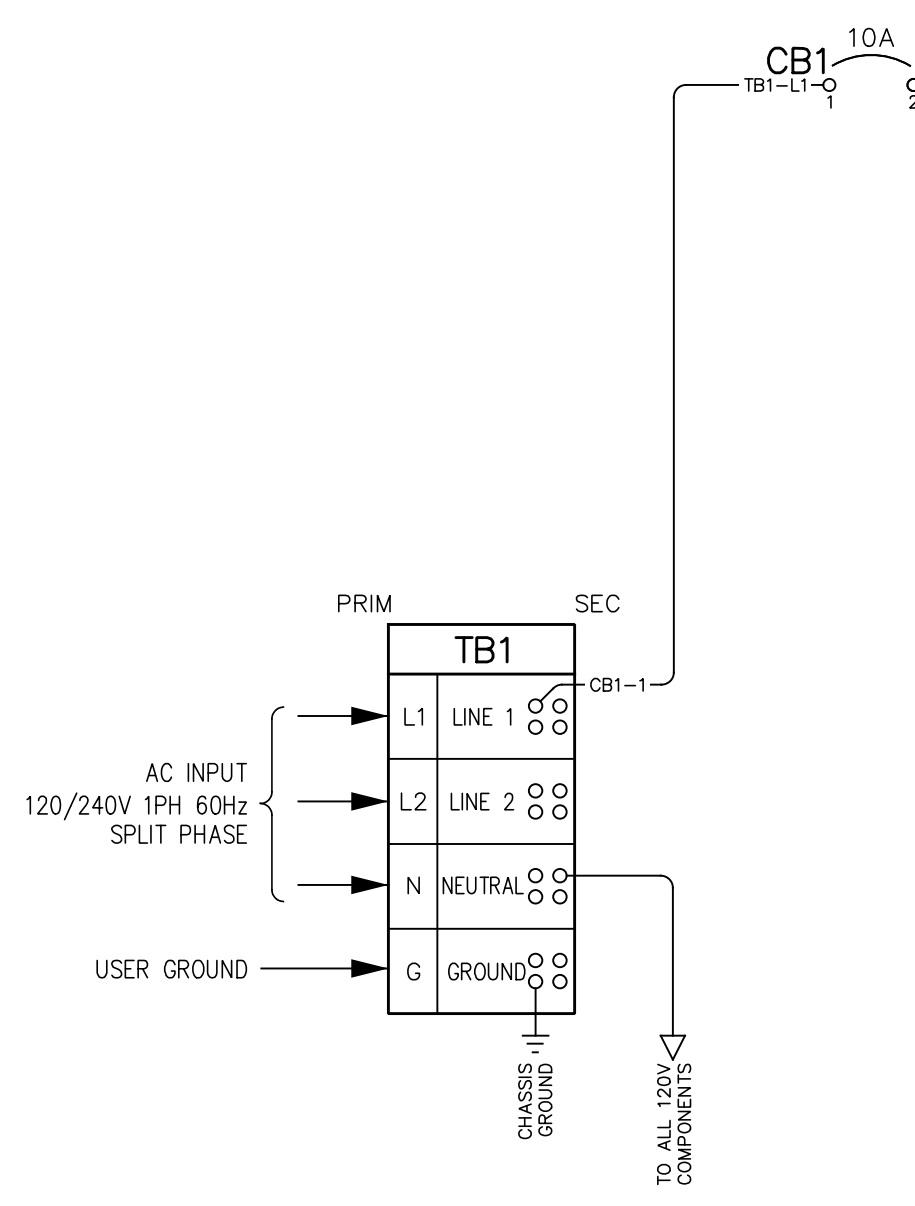
STUB-UP LOCATIONS
DETAIL B
SCALE 1 : 8

NOTES:

1. MOUNTING DIMENSIONS SHOWN ON DRAWING ARE FINAL. WE RECOMMEND PLACING CONSOLE THEN DRILLING FOR MOUNTING ANCHORS.
2. ANCHOR BOLTS ARE TO BE HILTI M12 HDA-TR STAINLESS STEEL UNDERCUT (OR EQUIVALENT). HOLE DEPTH TO BE MINIMUM OF 5.3" [135mm], PAD DEPTH TO BE MINIMUM OF 8.0" [203mm]
3. CONCRETE PAD TO EXTEND A MINIMUM OF 6" [153mm] FROM EDGE OF CABINET ON ALL SIDES. SEE MOUNTING DIMENSIONS BELOW. THE WEIGHT OF THE CONSOLE WITH BATTERIES (SPECIFIED IN PURCHASE ORDER) IS 1129lb [512kg]
4. CONCRETE PAD TO BE 4000 psi OR GREATER.
5. ELECTRICAL CONDUIT MAY ENTER FROM UNDERNEATH CABINET, BUT ONLY THROUGH STUB-UP LOCATIONS SHOWN IN DETAIL B.
6. CONDUIT ENTRY PROVIDED THROUGH SIDE PANEL 10.5in BY 14in GLAND PLATE AVAILABLE FOR KNOCKOUT. KNOCKOUTS MAY NOT BE VISIBLE, USE DIMENSIONS TO VERIFY BREAKAWAY POINTS.

C:\Hindle Vault\Custom Drawings\CONSOLES 2.1\Standard Drawings\#-03

REV DRN BY CHK BY APP BY DATE	DRN BY DATE		HINDLEPOWER 1075 East 10th Street Suite 100 - Westland Westland, MI 48186-1501 www.hindlepower.com
B KJB KMW RCF 6/12/2023	KJB 10/18/2021		
DESCRIPTION	CHK BY DATE	TITLE EPIC SERIES 2.0 CONSOLE FOUNDATION DRAWINGS SALES ORDER No. N/A	
UPDATED TO NEW DESIGN.	CMF 10/18/2021	SCALE DWGS No. D 1:10 JE5276-03	
APP BY DATE	RCF 10/18/2021	REV SHEET B 1 OF 1	
<small>PROPERTY AND CONFIDENTIAL NOTICE ANY REPRODUCTION, PARTIAL OR AS A WHOLE OF THIS DOCUMENT WITHOUT THE WRITTEN PERMISSION OF HINDLE POWER, INC IS STRICTLY PROHIBITED.</small>			



EPIC SERIES COMPONENTS

LEGEND FOR EPIC LINE

SYMBOL	DESCRIPTION	SYMBOL	DESCRIPTION
A7	FAN/LIGHT BOARD	○	DEVICE TERMINAL
A8x	FAN BOARD(S)	◊	TERMINAL BLOCK POINT IN TRANSFORMER
A12	12VDC POWER SUPPLY	◊	TERMINAL BLOCK POINT FOR SCADA
Bx	BATTERY SECTION VENT FANS	◊	TERMINAL BLOCK POINT FOR COMMUNICATIONS
B1x	ELECTRIC SECTION VENT FANS	◊	TERMINAL BLOCK POINT IN POWER CIRCUIT BREAKER
CB1	CIRCUIT BREAKER FOR A12 P/S	▲	TERMINAL IN A.C. OR D.C. PANELBOARD
DS02	RED LED	—	SHIPPED WITH WIRING INSTALLED
DS03	GREEN LED	---	WIRING TO BE INSTALLED
TB1	AC INPUT TERMINAL BLOCK		
TH3	ELECTRONIC SECTION THERMAL SENSOR		

I/O TERMINAL	DESCRIPTION - TYPE	CONNECTION
TB1 PRIM	L1, L2, AC INPUT / USER NTRL, GND TERMINALS - CU-ALUMINUM COMP LUG	(1) 2/0-#14 AWG
TB1 SEC	LINE 1, LINE 2 AC INPUT / USER NTRL, GND TERMINALS - CU-ALUMINUM COMP LUG	(4) #4-#14 AWG

REV: [] DRN BY: [] CHK BY: [] APP BY: [] DATE: []	DRN BY: [] DATE: []		1075 Saint John Street Easton, PA 18042-6661 PH 610-330-9000 FAX 610-330-8810 www.handlepowerinc.com
B KJB/KMW/RCF 6/12/2023	KJB 10/18/21		
DESCRIPTION: STANDARD DRAWINGS	CHK BY: [] DATE: []	TITLE: EPIC SERIES 2.0 CONSOLE CONNECTION DIAGRAM: 1 ELEC. SECTION 2 BATT SECTION SALES ORDER NO. N/A	
PROPERTY AND CONFIDENTIAL NOTICE	APP BY: [] DATE: []	SCALE: [] DWG NO: JE5272-03 REV: [] SHEET: [] OF []	