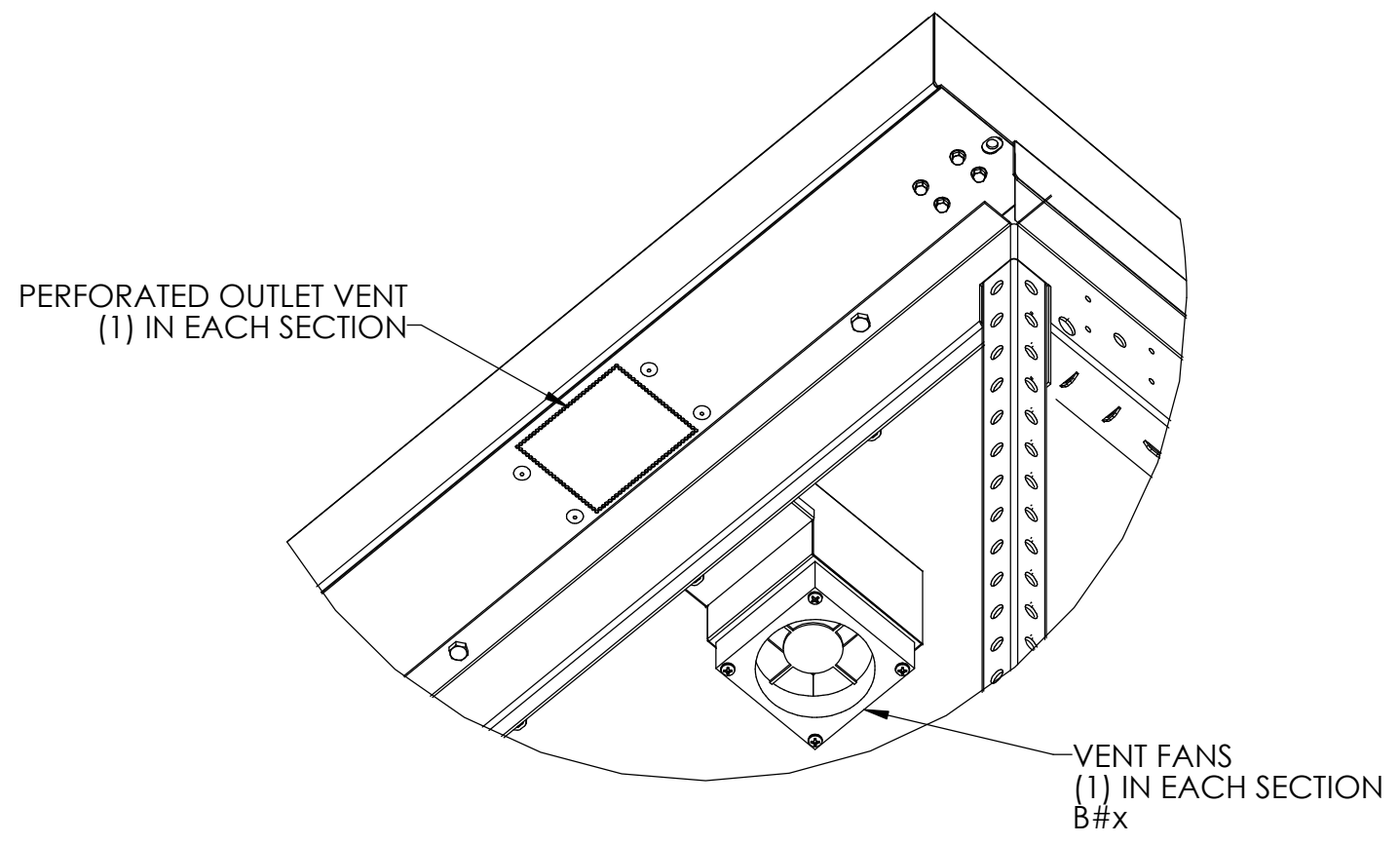
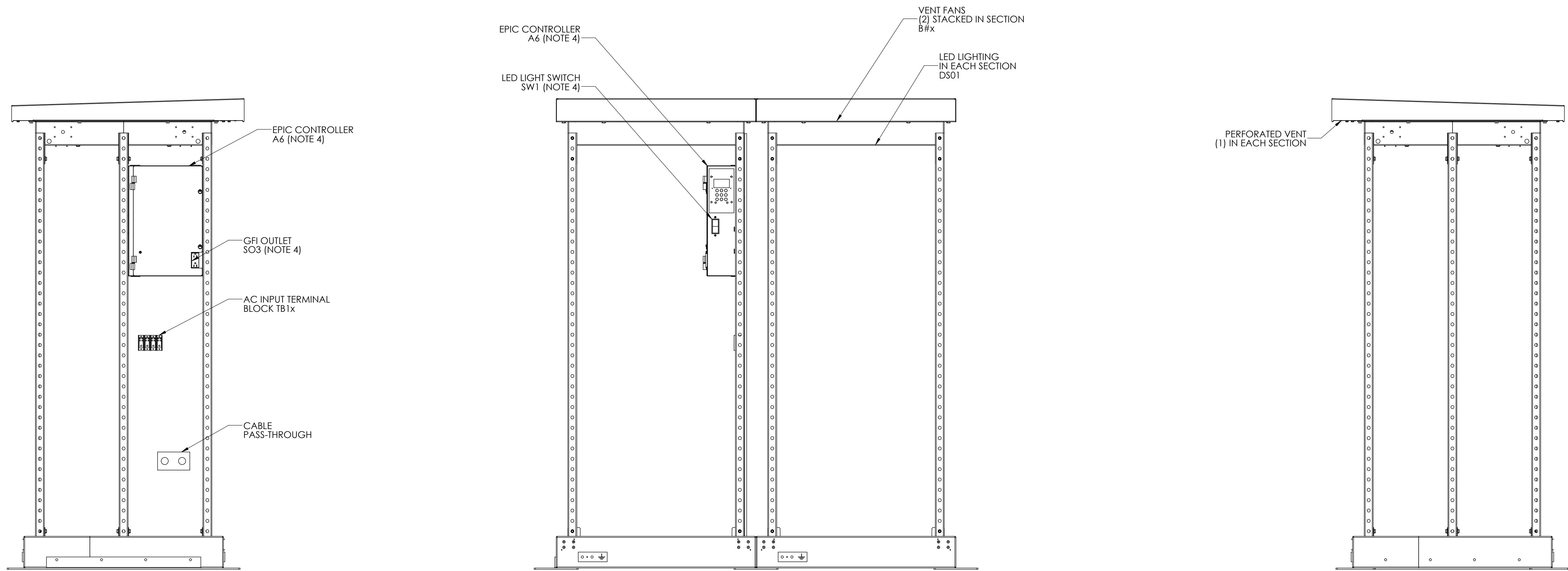


DESIGN NOTES:

- ENCLOSURE IS A NEMA-3R TYPE CABINET WITH GASKETING AND FOAM INJECTED PANELING. FINISH IS ANSI 61 GREY POWDERCOAT.
- HINGES MADE OF STAINLESS STEEL GRADE 316
- CONDUIT ENTRY PROVIDED THROUGH SIDE PANEL 10.5in BY 14in GLAND PLATE AVAILABLE FOR KNOCKOUT. SEE FOUNDATION DRAWINGS (JE5276-02) FOR KNOCKOUT LOCATIONS. CONDUIT ACCESS ALSO AVAILABLE FROM UNDERNEATH CABINET.
- LOCATE UNIT ONTO A PERMANENT, FLAT, AND LEVELED SURFACE, PREFERABLY CONCRETE OR OTHER FIREPROOF MATERIAL. SURFACE MUST BE CAPABLE OF SUPPORTING WEIGHT OF COMPLETE SYSTEM AND INSTALLED COMPONENTS. SEE FOUNDATION DRAWING (JE5276-02) FOR LOADING INFORMATION.
- VENTILATION AND THERMAL MANAGEMENT OF BATTERIES PER IEEE 1635. SEISMIC CERTIFICATION PER IEEE 693.
- THE WEIGHT OF THE CONSOLE WITHOUT BATTERIES IS 844lb [383kg]
- FOR LIFTING, USE OPTIONAL STRAPPING SYSTEM (SEE EI5196-02).

C:\Hindle Vault\Custom Drawings\CONSOLES 2.12.1.2 SEC

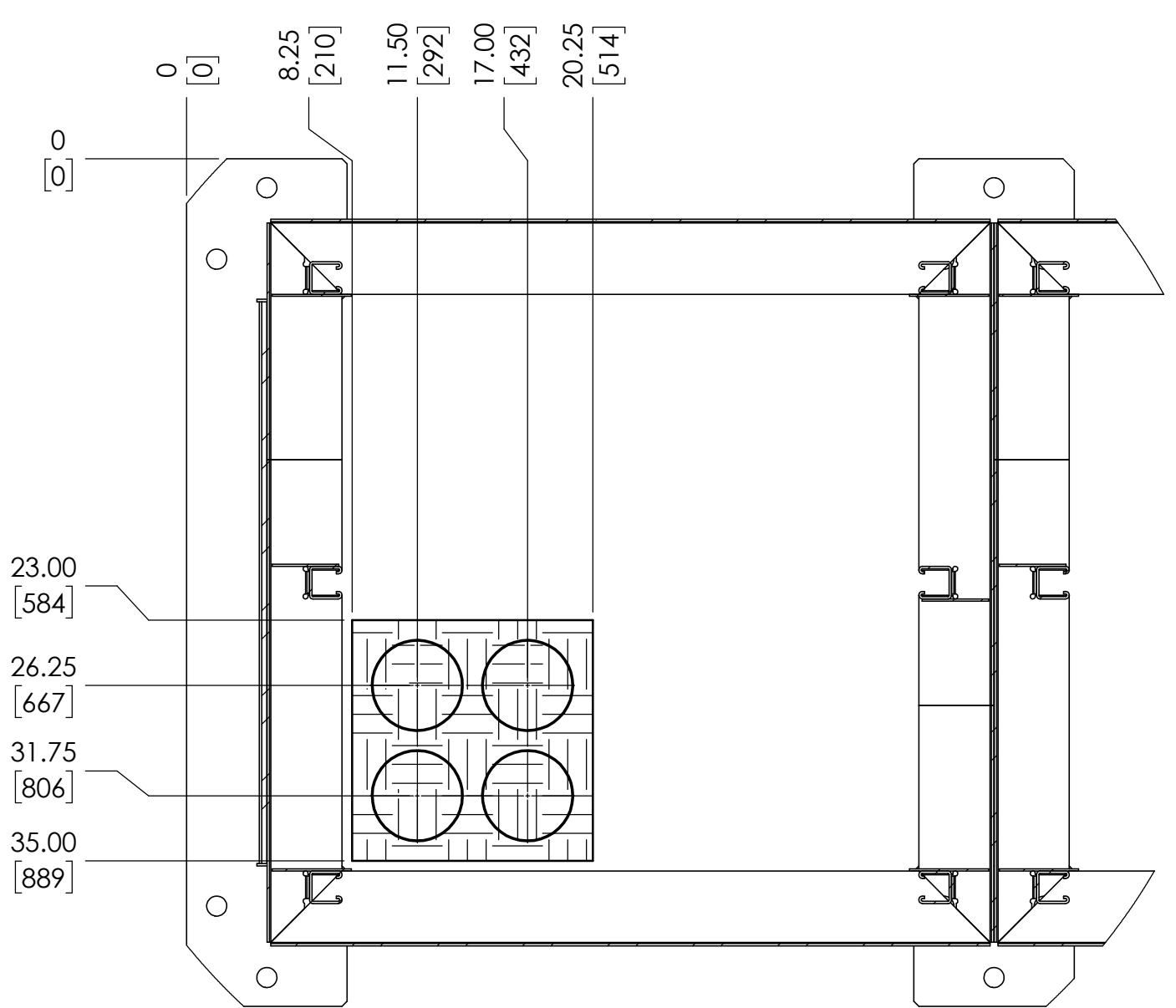
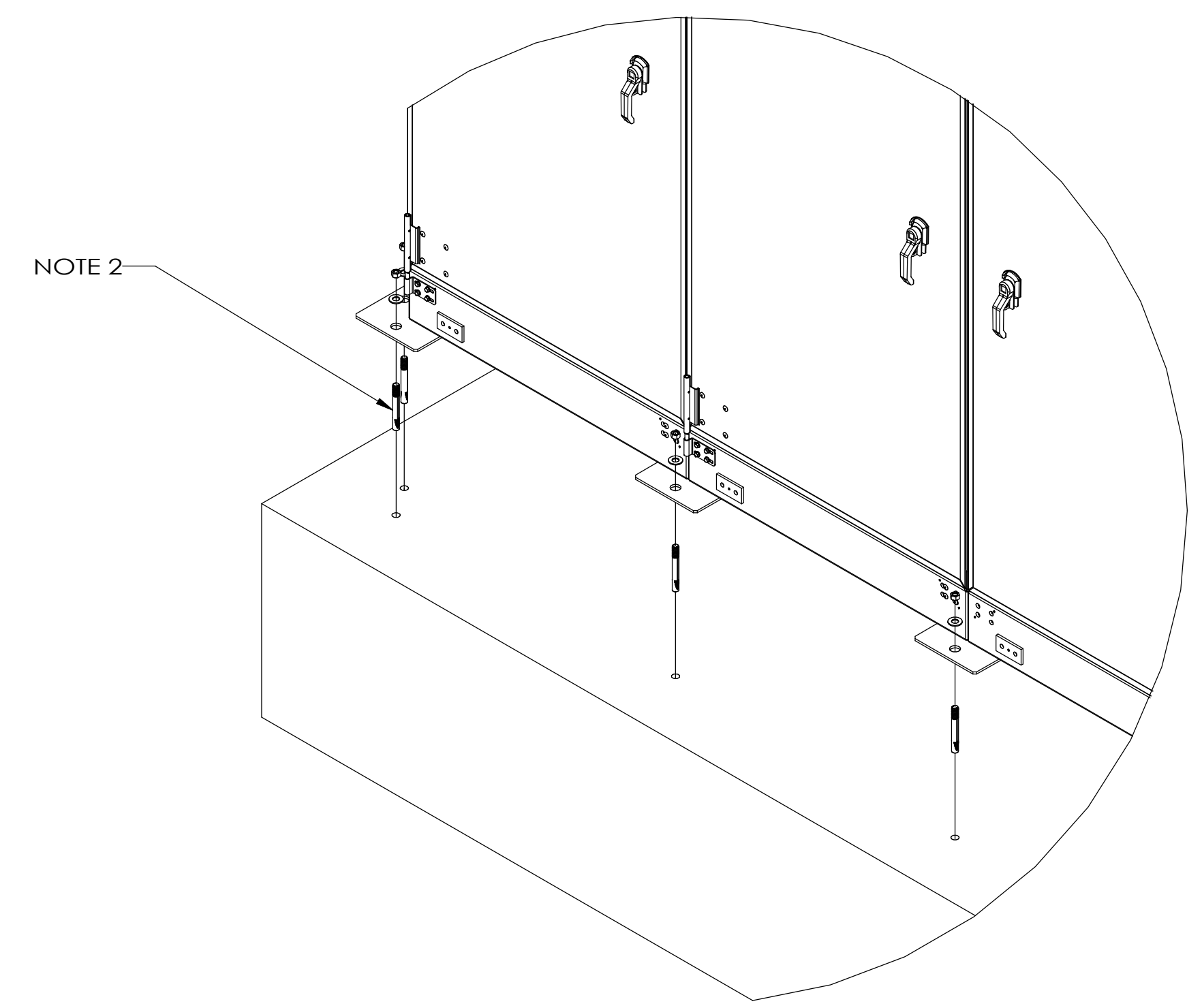
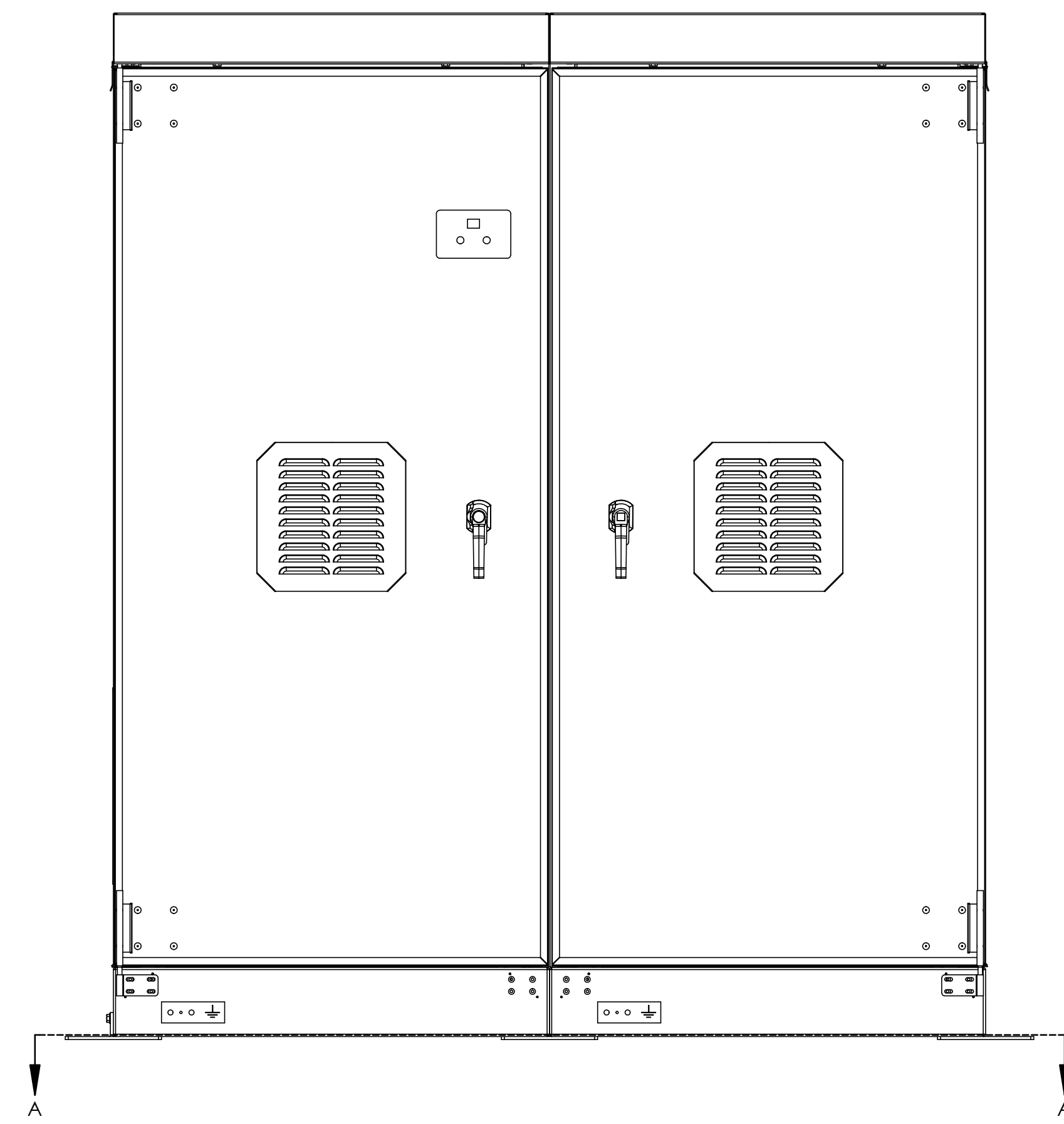
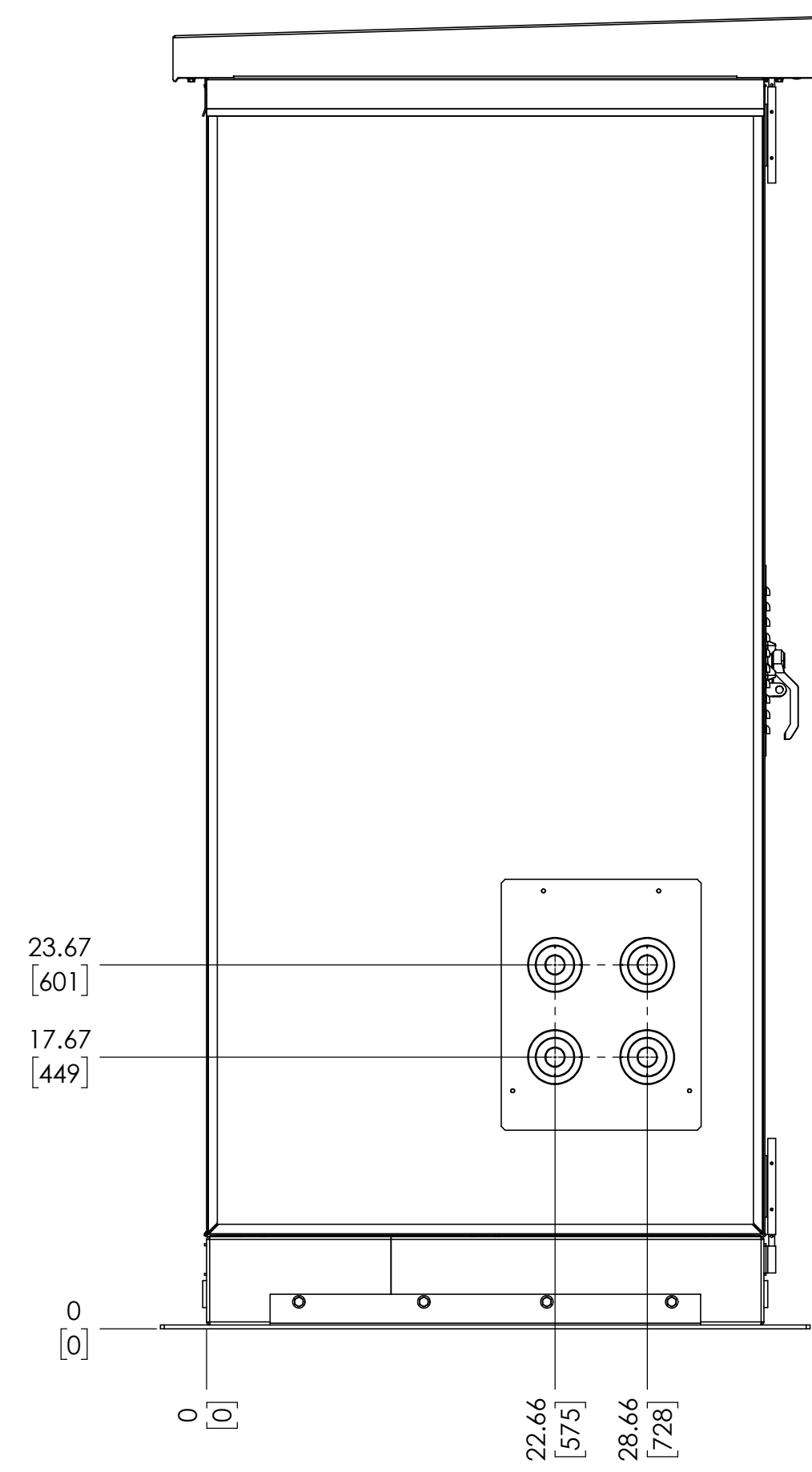
| | | | | | | | |
|--|--------|-----------|--------|---------|--------|--|---|
| REV | DRN BY | CHK BY | APP BY | DATE | DRN BY | DATE | <p>HINDLEPOWER</p> <p>035 East 2nd Street Suite 100 - 100 East P.O. Box 489 - 100 East www.hindlepower.com</p> |
| DESCRIPTION | | | | CHK BY | DATE | TITLE | |
| Initial Release | | | | APP BY | DATE | EPIC SERIES 2.0 CONSOLE OUTLINE: NEMA 3R 5063 ENCL SALES ORDER No. N/A | |
| <small>PROPERTY AND CONFIDENTIAL NOTICE</small> <small>ANY REPRODUCTION, PARTIAL OR AS A WHOLE OF THIS DOCUMENT WITHOUT THE WRITTEN PERMISSION OF HINDLE POWER, INC IS STRICTLY PROHIBITED.</small> | | | | | | | <small>UNLESS OTHERWISE SPECIFIED ALL DIMENSIONS FOLLOW THE AS SHOWN DIMENSIONS</small> <small>(INCHES-POUNDS & SECONDS)</small> <small>TOLERANCES ARE: DIM: ±0.004</small> <small>DEC: ±0.015, ANG: ±2°</small> |
| D | | SCALE | 1:12 | DWG No. | REV | | SHEET |
| | | JE5269-02 | | A | | 1 OF 3 | |



1. TO PROVIDE A CLEAR VIEW OF THE CONSOLE INTERNAL COMPONENTS, THE FOLLOWING ITEMS ARE NOT SHOWN:
 - FRONT DOORS W/ EYE WASH
 - REAR PANELS/DOORS
 - LEFT AND RIGHT SIDE PANELS
2. DO NOT LIFT, PUSH OR RELOCATE THE EPIC CONSOLE WITH BATTERIES INSTALLED WITHIN ENCLOSURE.
3. BATTERY TYPE: REFFERANCE BATTERIES (## JARS)
4. EPIC CONTROLLER (A6) CONTAINS
 - A4x RELAY BOARDS
 - A5 DISPLAY BOARD
 - A12 POWER SUPPLY
 - CB# CIRCUIT BREAKERS
 - E1+- POWER SUPPLY CONNECTION POINTS
 - EN/G NEUTRAL/ GROUND CONNECTION POINTS
 - K2 HEATER SOLID STATE RELAY (OPTIONAL)
 - SO3 GFI OUTLET
 - SW1 LIGHT SWITCH

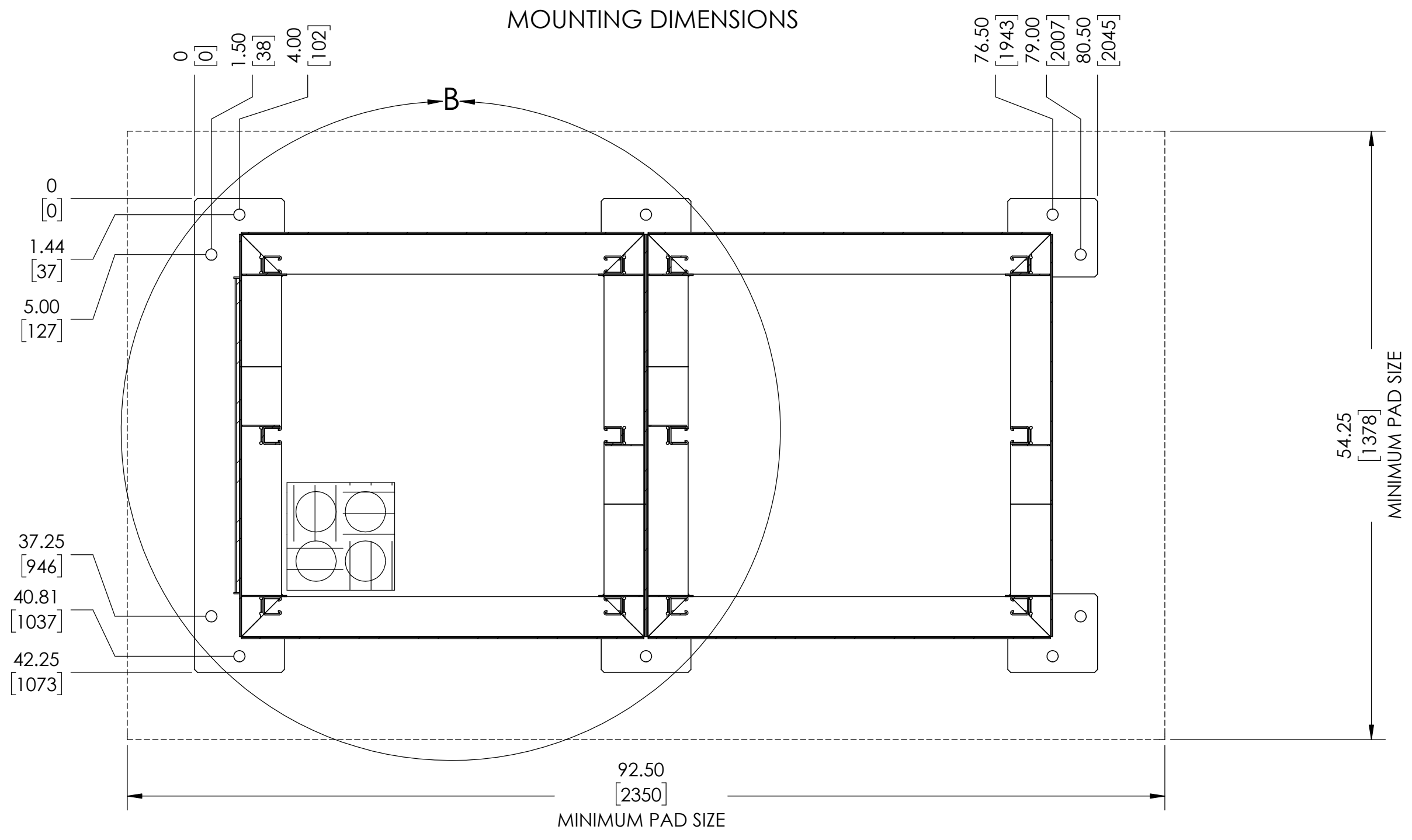
C:\Hindle Vault\Custom Drawings\CONSOLES 2.12.1.2 SEC

| | | | | | | | | | |
|---|--------|--------|--------|---|--------|--------------------|--|--|----------------------------------|
| REV | DRN BY | CHK BY | APP BY | DATE | DRN BY | DATE | <p>HINDLEPOWER 1075 East 10th Street Durham, NC 27603 www.hindlepower.com</p> | <p>TITLE EPIC SERIES 2.0 CONSOLE INTERNAL LAYOUT: 1 ELEC. / 1 BATT. SALES ORDER No. N/A</p> | |
| DESCRIPTION Initial Release | | | | CHK BY | DATE | APP BY | | | DATE |
| PROPERTY AND CONFIDENTIAL NOTICE ANY REPRODUCTION, PARTIAL OR AS A WHOLE OF THIS DOCUMENT WITHOUT THE WRITTEN PERMISSION OF HINDLE POWER, INC. IS STRICTLY PROHIBITED. | | | | <p>UNLESS OTHERWISE SPECIFIED ALL DIMENSIONS FOLLOW THE AS SHOWN UNLESS OTHERWISE SPECIFIED IN THE DRAWING (INCHES-POUNDS & SECONDS) TOLERANCES ARE: FINISH: 0.004 DEC: 0.015, 0.025"</p> | | <p>SCALE: 1:10</p> | | | <p>DRWS No: JE5269-02</p> |
| | | | | | | | <p>REV: A</p> | <p>SHEET: 2 OF 3</p> | |



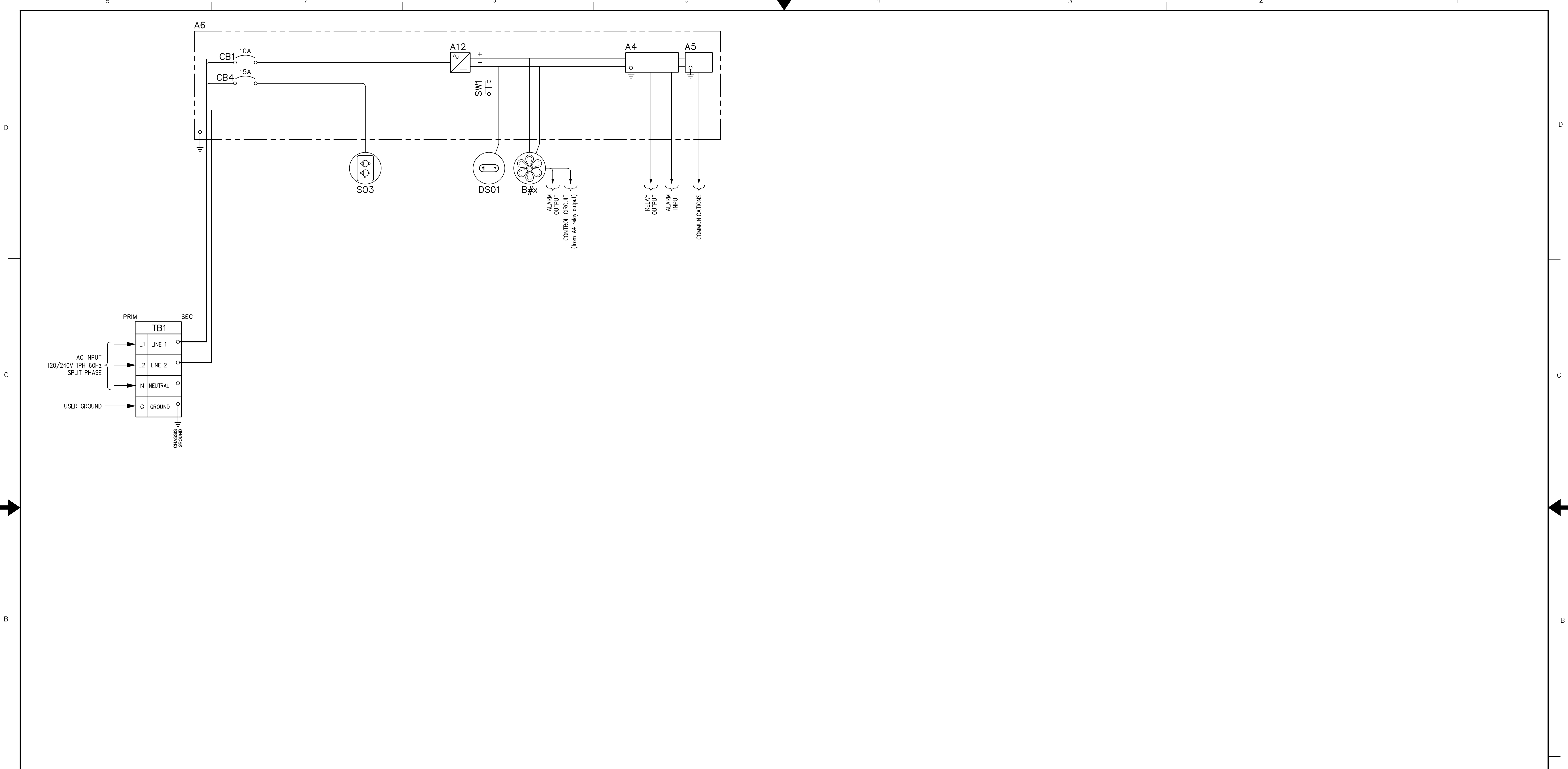
STUB-UP LOCATIONS
DETAIL B
SCALE 1 : 8

A-A
MOUNTING DIMENSIONS



- NOTES:
1. MOUNTING DIMENSIONS SHOWN ON DRAWING ARE FINAL. WE RECOMMEND PLACING CONSOLE, THEN DRILLING FOR MOUNTING ANCHORS.
 2. ANCHOR BOLTS ARE TO BE HILTI M12 HDA-TR STAINLESS STEEL UNDERCUT (OR EQUIVALENT). HOLE DEPTH TO BE MINIMUM OF 5.3" [135mm], PAD DEPTH TO BE MINIMUM OF 8.0" [203mm]
 3. CONCRETE PAD TO EXTEND A MINIMUM OF 6" [153mm] FROM EDGE OF CABINET ON ALL SIDES. SEE MOUNTING DIMENSIONS BELOW. THE WEIGHT OF THE CONSOLE WITH BATTERIES (SPECIFIED IN PURCHASE ORDER) IS 840lb [381kg]
 4. CONCRETE PAD TO BE 4000 psi OR GREATER.
 5. ELECTRICAL CONDUIT MAY ENTER FROM UNDERNEATH CABINET, BUT ONLY THROUGH STUB-UP LOCATIONS SHOWN IN DETAIL B.
 6. CONDUIT ENTRY PROVIDED THROUGH SIDE PANEL 10.5in BY 14in GLAND PLATE AVAILABLE FOR KNOCKOUT. KNOCKOUTS MAY NOT BE VISIBLE, USE DIMENSIONS TO VERIFY BREAKAWAY POINTS.

| | | | | | | | |
|--|--------|--------|--------|------|---|------|--|
| REV | DRN BY | CHK BY | APP BY | DATE | DRN BY | DATE | <p>HINDLEPOWER</p> <p>EPIC SERIES 2.0 CONSOLE FOUNDATION DRAWINGS SALES ORDER No. N/A</p> |
| | | | | | CHK BY | DATE | |
| | | | | | APP BY | DATE | |
| DESCRIPTION Initial Release | | | | | TITLE EPIC SERIES 2.0 CONSOLE FOUNDATION DRAWINGS SALES ORDER No. N/A | | |
| PROPERTY AND CONFIDENTIAL NOTICE ANY REPRODUCTION, PARTIAL OR AS A WHOLE OF THIS DOCUMENT WITHOUT THE WRITTEN PERMISSION OF HINDLE POWER, INC IS STRICTLY PROHIBITED. | | | | | UNLESS OTHERWISE SPECIFIED ALL DIMENSIONS FOLLOW THE (INCHES-POUNDS & SECONDS) TOLERANCES ARE: FIN: ± 0.004, DEC: ± 0.015, AND 2-3P | | |
| | | | | | SCALE: 1:10 | | DWG No: JE5276-02 |
| | | | | | REV: A | | SHEET: 3 OF 3 |



EPIC SERIES COMPONENTS

| SYMBOL | DESCRIPTION |
|--------|--------------------------------|
| A1 | HYDROGEN DETECTOR |
| A4 | HINDLE HEALTH CONTROLLER |
| A5 | HINDLE HEALTH DISPLAY |
| A6 | EPIC CONTROLLER |
| A12 | 12VDC POWER SUPPLY |
| ACP | AC PANELBOARD |
| Bx | VENT FANS |
| CB1 | CIRCUIT BREAKER FOR A12 P/S |
| CB4 | CIRCUIT BREAKER FOR GFI OUTLET |
| DCP | DC PANELBOARD |
| DS01 | CONSOLE LED LIGHTS |
| DS02 | RED LED |
| DS03 | GREEN LED |
| S03 | 15A GFI OUTLET |
| SW1 | CONSOLE LED LIGHT SWITCH(ES) |
| TB1 | AC INPUT TERMINAL BLOCK |

LEGEND FOR EPIC LINE

| SYMBOL | DESCRIPTION |
|--------|---|
| ○ | DEVICE TERMINAL |
| ◊ | TERMINAL BLOCK POINT IN TRANSFORMER |
| ◆ | TERMINAL BLOCK POINT FOR SCADA |
| ◇ | TERMINAL BLOCK POINT FOR COMMUNICATIONS |
| ◈ | TERMINAL BLOCK POINT IN POWER CIRCUIT BREAKER |
| ▲ | TERMINAL IN A.C. OR D.C. PANELBOARD |
| — | SHIPPED WITH WIRING INSTALLED |
| - - - | WIRING TO BE INSTALLED |

| I/O TERMINAL | DESCRIPTION - TYPE | CONNECTION |
|--------------|---|-----------------|
| TB1 PRIM | L1, L2, AC INPUT / USER NTRL, GND TERMINALS - CU-ALUMINUM COMP LUG | (1) 2/0-#14 AWG |
| TB1 SEC | LINE 1, LINE 2 AC INPUT / USER NTRL, GND TERMINALS - CU-ALUMINUM COMP LUG | (4) #4-#14 AWG |

| | | | | | | |
|--|-------------|------------------|------------------|--------------------|---|---------------|
| REV. DRN BY: CMF | CHK BY: RCF | DATE: 10/18/2021 | DRN BY: KJB | DATE: 10/18/2021 | <p>1075 Saint John Street Easton, PA 18042-6661 PH 610-330-8000 FAX 610-330-8009 www.hindlepowerinc.com</p> | |
| DESCRIPTION: STANDARD DRAWINGS. | | APP. BY: RCF | DATE: 10/18/2021 | FILE: | | |
| EPIC SERIES 2.0 CONSOLE SCHEMATIC: N/A SALES ORDER NO. N/A | | | | | | |
| PROPERTY AND CONFIDENTIAL NOTICE | | | SCALE: D | EDWG NO: JE5271-0X | REV: 0 | SHEET: 1 OF 1 |