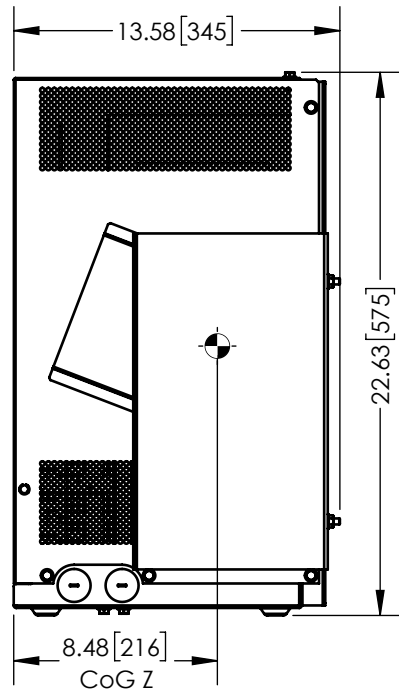
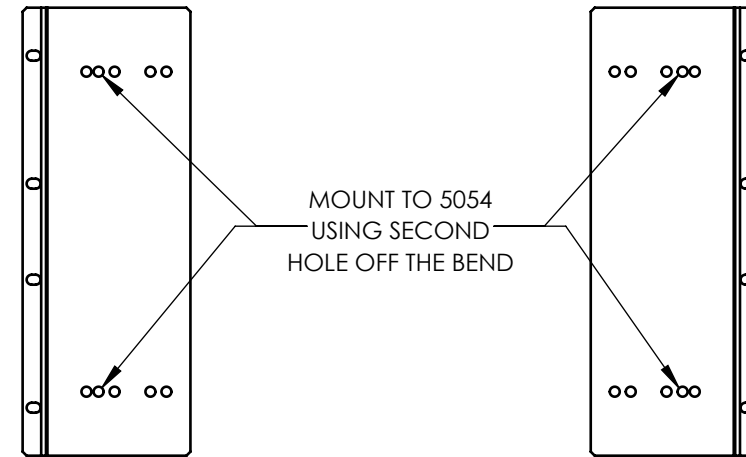


FRONT VIEW
CoG



RIGHT SIDE VIEW
CoG



FRONT VIEW
BRACKET DETAIL
SCALE 1:6

BACKGROUND

ATevo battery chargers built into special NEMA-1 Style-5054 enclosures can be installed into relay racks which feature standard 23in/584mm EIA hole spacing. A separate accessory (**EI0193-50**) is required to rack-mount the Style-5054 enclosure, which is normally wall-mounted.

PREPARATION

- Standard hand tools are required. When rack mounting the AT Series Style-5054 enclosure, consider the following:
1. Style-5054 enclosure must be FRONT-mounted to 23in rails as shown.
 2. The rack must be strong enough to properly support the weight of the ATevo. See the Weight Table located in Section 1.6.1 of the ATevo Series battery charger Operating and Service Instructions.
 3. Note placement of conduit entrances. Make sure the knockouts on the sides the Style-5054 enclosure are accessible after it is rack mounted.
 4. The location:
 - should be between 32-122° F / 0-50° C, with relative humidity between 5 and 95% non-condensing
 - must be free of flammable or explosive materials
 5. Maintain at least 6in / 152mm of free air on top, bottom and both sides for venting.
 6. Allow 36in / 914mm front clearance for access to the charger for operation and maintenance.
 7. If two (2) chargers are to be mounted into rack, one (1) on top of another, allow 6in / 152mm clearance on top and bottom for venting.
 8. Mounting hardware for attaching the charger w/ brackets to the relay rack is **not supplied** by charger manufacturer.

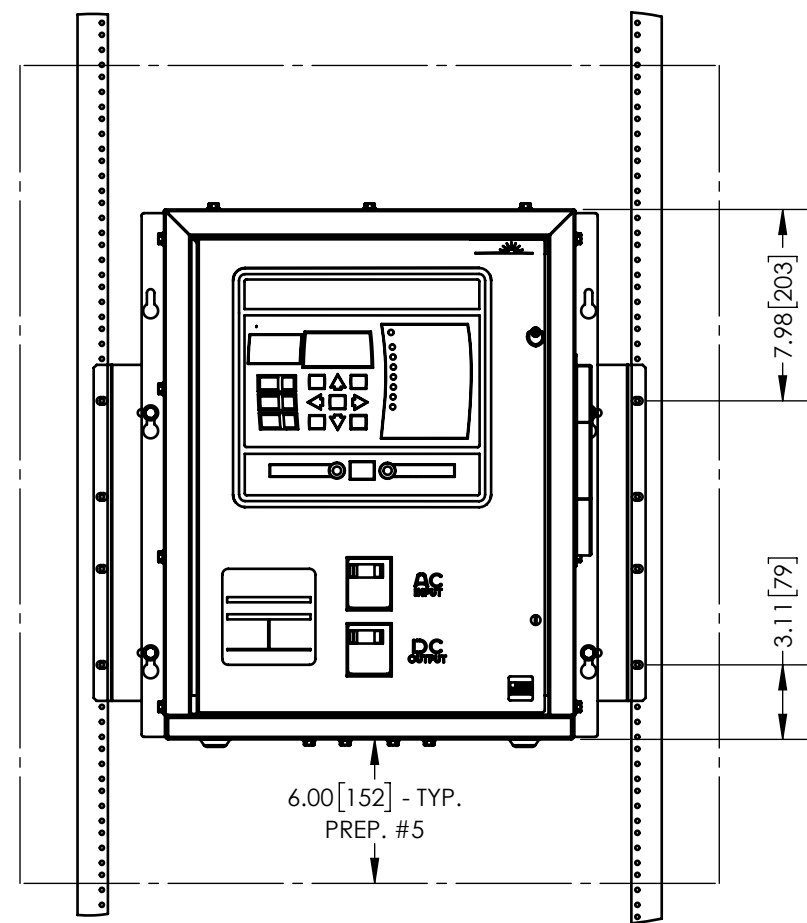
PROCEDURE

See the diagram to the right for Style-5054 enclosure rack-mounting configuration and dimensions. Follow the directions below.

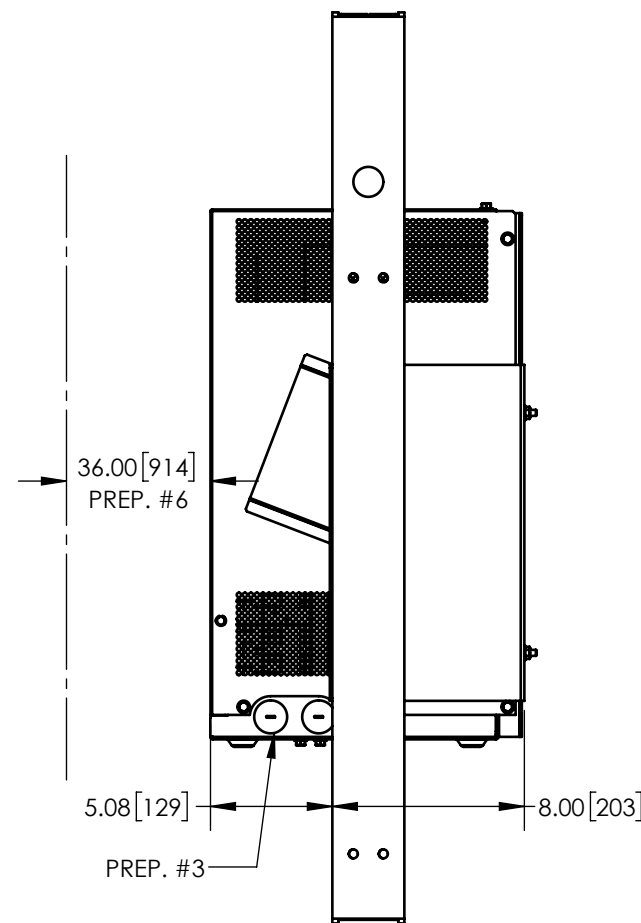
1. Fasten brackets to lowest key hole slots using supplied 1/4-20 hardware. Torque specification: 55-77 in/lb.
2. Insert the Style-5054 enclosure, with brackets, into the EIA rack.
3. Adjust the enclosure vertically in the rack to line up with the mounting holes.
4. Provide at least 6in / 152mm of free air space above and below the ATevo Series charger enclosure in the rack for venting.
5. Mount the charger to the rack with **user-supplied** hardware and tighten securely.

NOTES

1. Units are installed from the front.
2. Refer to the outline drawings in Appendix B of the ATevo Series battery charger Operating and Service Instructions for Style-5054 enclosure dimensions.
3. See outline drawing (JE5251-00) for standard specifications of NEMA Type-1 Style-5054 enclosure.



FRONT VIEW
RACK MOUNTING



RIGHT SIDE VIEW
RACK MOUNTING

REV. 0	DRN BY MS	CHK BY K/B	APP BY K/B	DATE 6/24/2022	DRN BY MS	DATE: 6/24/2022	<p>HINDLEPOWER</p>		
DESCRIPTION Initial Release					CHK BY K/B	DATE: 6/24/2022			
					APP BY K/B	DATE: 6/24/2022			
<small>UNLESS OTHERWISE SPECIFIED ALL DIMENSIONS FOLLOW THE ANSI SYSTEM IPS (INCHES-POUNDS & SECONDS) TOLERANCES ARE: FRAC. ±1/64, DEC. ±0.015, ANG ±.25°</small>					<p>TITLE</p> <p>FIELD INSTRUCTIONS</p> <p>ACSY,RACK-MTG,ATEVO,ST-5054,23/24"</p> <p>23" Rack Mounting - 5054</p>				
<small>PROPRIETARY AND CONFIDENTIAL NOTICE ANY REPRODUCTION, PARTIAL OR AS A WHOLE OF THIS DOCUMENT WITHOUT THE WRITTEN PERMISSION OF HINDLE POWER, INC IS STRICTLY PROHIBITED.</small>						<p>SCALE</p> <p>B 1:8</p>	<p>DWG No</p> <p>JE5249-02</p>	<p>REV</p> <p>0</p>	<p>SHEET</p> <p>1 OF 1</p>