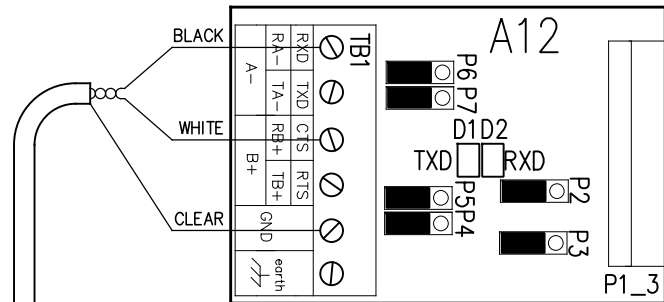


ATEVO ENCLOSURE

COMMUNICATIONS ACCESSORY ENCLOSURE

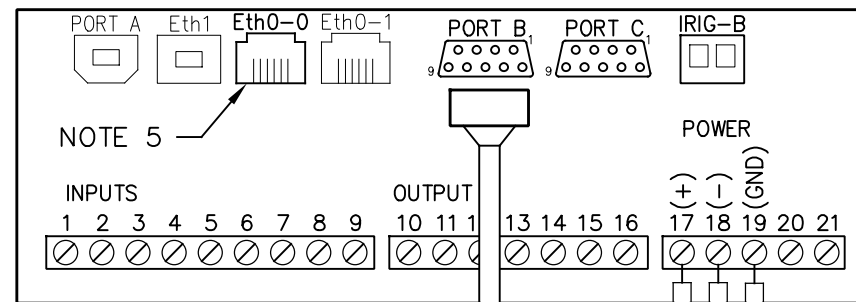
SERIAL COMM ADAPTER (A12)



(NOTE 4)

(NOTE 2)

IEC-61850 GATEWAY (A23)



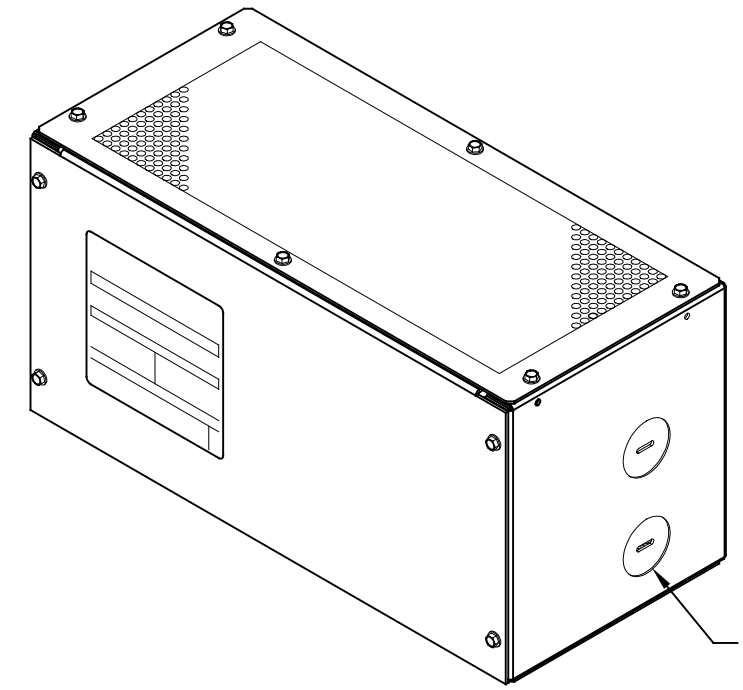
NOTE 5

POWER

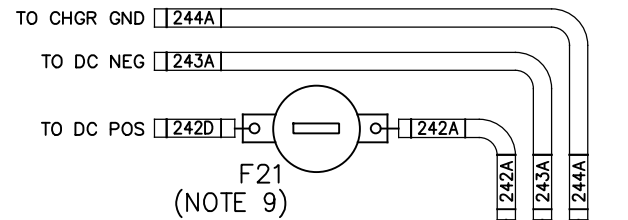
INPUTS

OUTPUT

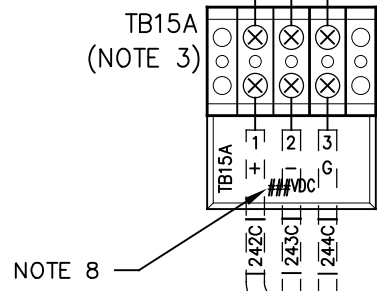
(+) (-) (GND)



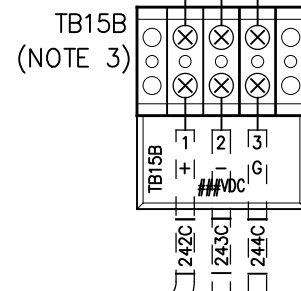
NOTE 7



F21
(NOTE 9)

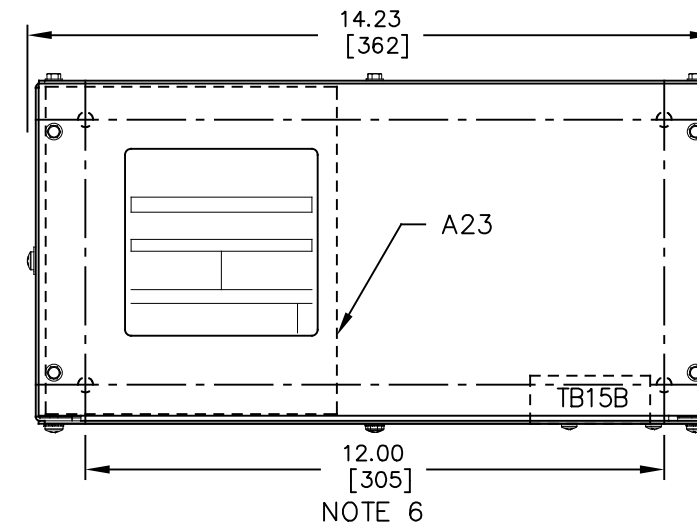


NOTE 8

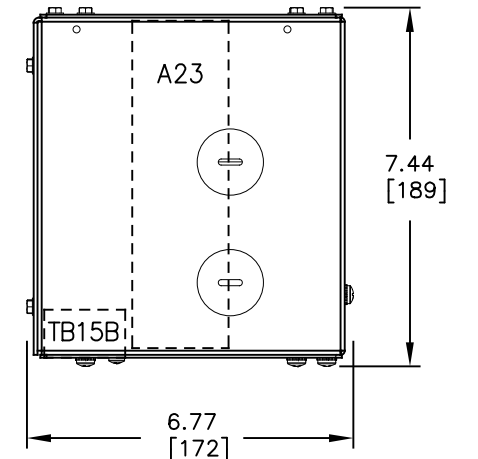


(NOTE 1)

CHASSIS GROUND
(#10 ZPS STUD)



NOTE 6



NOTES:

- CONNECT TB15A FROM ATevo TO TB15B IN IEC-61850 ACCESSORY ENCLOSURE WITH EH5072-04 HARNESS.
- CONNECT SERIAL CABLE TO SERIAL ADAPTOR (A12) AS SHOWN ABOVE.
- DC POWER CONTACTS (TB15A/B) ARE 6-32 BINDER HEAD SCREW TERMINALS, ACCEPTING #16-14 AWG WIRE.
- SEE JA0102-54 FOR ATEVO COMM MANUAL.
- USER IEC-61850 ETHERNET CONNECTION. SEE INSTRUCTION JA5133-00 FOR GATEWAY FUNCTION.
- ENCLOSURE FEATURES FOUR (4) 0.313in / 7.9mm HOLES FOR WALL-MOUNTING WITH USER-SUPPLIED 0.25in / 6.4mm HARDWARE.
- ENCLOSURE FEATURES FOUR (2) PRE-FAB KEY-SLOT KNOCK-OUTS AS SHOWN FOR 1in / 25mm CONDUIT ENTRY. RUBBER GROMETS ARE SUPPLIED.
- TERMINAL BLOCKS TB15A, B WILL REFLECT THE CHARGERS INTERNAL VOLTAGE
- IN THE EVENT THAT UNIT LOOSES POWER WITHOUT CONNECTED CHAGER LOOSING POWER, CHECK THE WIRE PROTECTION FUSE (F21).

DUAL DIMENSIONS in mm

REV. 3	DRN BY KJB	CHK BY MCR	APP BY MCR	DATE 10/13/2021	DRN BY KJB	DATE: 10/26/2020	TITLE ATEvo IEC-61850 COMMUNICATIONS ACCESSORY INSTALLATION EJ5309-54 OPTION
DESCRIPTION ADDED FUSE INSTRUCTIONS.					CHK BY MCR	DATE: 10/26/2020	
ECN NO. N/A					APP BY MCR	DATE: 10/26/2020	
							SCALE NTS
DWG No JD5073-00							REV 3
SHEET 1 OF 1							