

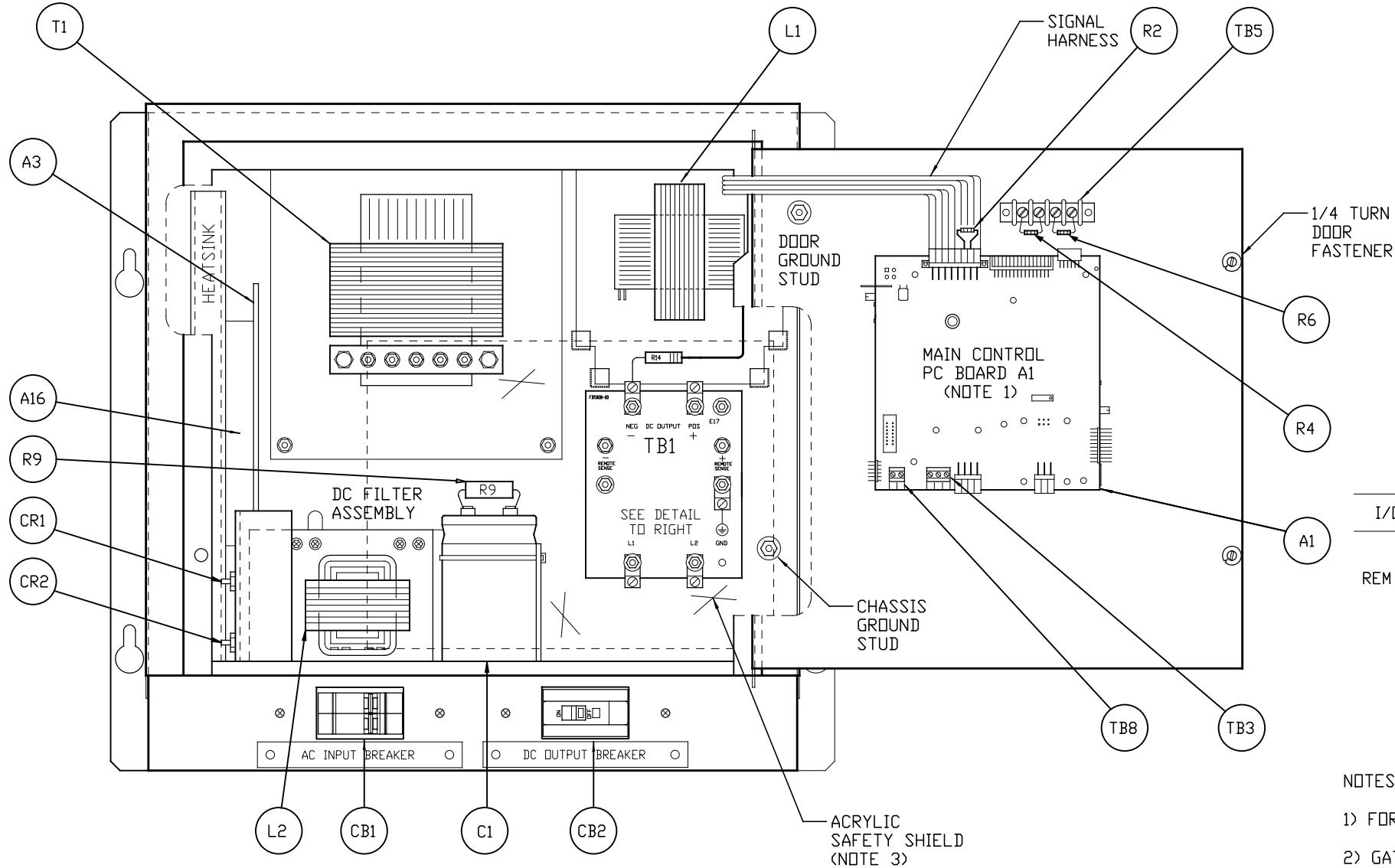
NOTES:

- 1) ENCLOSURE IS A NEMA TYPE 1 / IP20 TOP-VENTED STEEL CABINET WITHOUT GASKETS. FINISH IS ANSI-61 GRAY EPOXY POWDERCOAT.
- 2) ALLOW 6in / 152mm OF FREE AIR ON ALL VENTED SURFACES FOR COOLING.
- 3) FOUR (4) KEY-HOLE SLOTS ARE PROVIDED ON BACK OF ENCLOSURE AS SHOWN, FOR WALL-MOUNTING WITH 0.25in / 6.25mm HARDWARE.
- 4) FOUR (4) 1.31in / 33mm DIA KNOCKOUTS ARE PROVIDED AS SHOWN, WITH TWO (2) ADDITIONAL KNOCKOUTS FEATURED ON BOTTOM PANEL OF ENCLOSURE. USE OF ANY OF THESE FOUR (4) LOWER CONDUIT KNOCKOUTS WILL ALLOW REMOVAL OF CABINET SHROUD WITHOUT REMOVAL OF EXTERNAL WIRING.
- 5) DATA NAMEPLATE DECAL (WITH CHARGER RATINGS) APPLIED TO LEFT SIDE OF ENCLOSURE.
- 6) BATTERY CHARGER SHIPPING WEIGHT: SEE PRODUCT LITERATURE

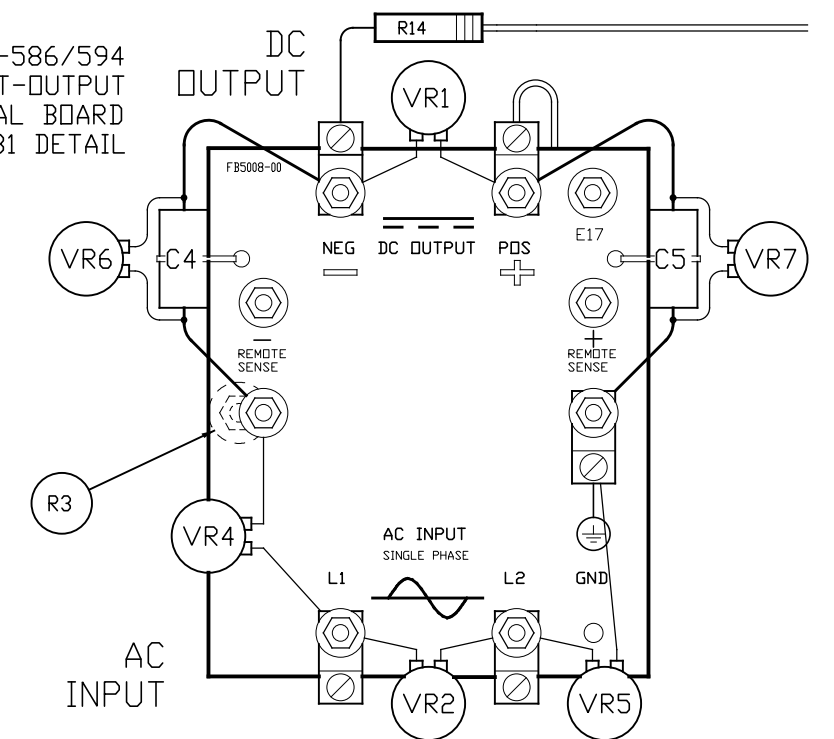
DUAL DIMENSIONS in mm

12-25ADC W/O OPTIONS

			THIRD ANGLE PROJECTION		1075 Saint John Street Easton, PA 18042-6661 PH 610-330-9000 FAX 610-330-8510 www.hindlepowerinc.com	
			DRAWN BY KMW	102721	TITLE AT10.1 SERIES BATTERY CHARGER OUTLINE: NEMA-1 STYLE-594 ENCLOSURE	
			ELECTRONIC APPROVAL SIGNATURES MAINTAINED BY MFG ECN LOG			
			UNLESS OTHERWISE NOTED DIMENSIONS ARE IN INCHES. TOLERANCES ARE:			
0	N/A	102721	DRAWING No JE5024-02			
REV	ECN No	DATE	SCALE NTS	SALES No	REV 0 B SHEET 1 OF 1	



STYLE-586/594
INPUT-OUTPUT
TERMINAL BOARD
TB1 DETAIL



I/O TERMINAL	DESCRIPTION - TYPE	CONNECTION
TB1(+/-)	POS/NEG OUTPUT TERMINALS - CU-ALUMINUM COMPRESSION LUG	#14-6 AWG
REM SENSE(+/-)	POS/NEG REMOTE SENSE TERMINALS - 10-32 ZPS STUDS	#10 RING LUG
TB1-GND	USER GROUND TERMINAL - CU-ALUMINUM COMPRESSION LUG	#14-6 AWG
TB1-L1/L2	AC INPUT TERMINALS - CU-ALUMINUM COMPRESSION LUG	#14-6 AWG
TB3	SUMMARY ALARM TERMINAL BLOCK - SOLDERLESS COMP SCREW	#22-14 AWG
TB8	TEMPCD PROBE (A10) TERM BLK - SOLDERLESS COMP SCREW	#22-14 AWG

NOTES:

- 1) FOR DETAIL VIEWS OF ALL PC BOARDS (A1, A5, etc.) SEE DRAWING JE5030-02.
- 2) GATE DRIVER PC BOARD (A3) AND RECTIFIER SCR MODULE (A16) ARE CONTAINED WITHIN ONE ASSEMBLY EJ5085-00 (LISTED AS "A6" IN PARTS DATA PACKAGE REPORT).
- 3) SAFETY COVER DISPLAYS COMPONENT LAYOUT DIAGRAM, SCHEMATIC & INSTALLATION NOTES.

AT10.1 GROUP I STANDARD COMPONENTS

SYMBOL	DESCRIPTION	SYMBOL	DESCRIPTION
A1	MAIN CONTROL PRINTED CIRCUIT BOARD	VR4/VR5	AC INPUT SURGE SUPPRESSOR (L1/L2)
A3	RECTIFIER GATE DRIVER PC BOARD	VR6/VR7	DC OUTPUT SURGE SUPPRESSOR (-/+)
A16	RECTIFIER SCR MODULE (NOTE 2)		
C4/C5	DC OUTPUT EMI FILTER CAPACITOR (-/+)		
CB1	AC INPUT CIRCUIT BREAKER (STANDARD)		
CB2	DC OUTPUT CIRCUIT BREAKER (STANDARD)		
L1	MAIN INDUCTOR	C1	FILTER CAPACITOR
R2	CURRENT RATING RESISTOR	CR1	POLARITY DIODE
R3	PWR SUPPLY BALLAST RESISTOR (48VDC)	CR2	BLOCKING DIODE
R4	SCALING RESISTOR (POSITIVE LEG)	L2	FILTER INDUCTOR
R6	VOLTAGE CROWBAR RESISTOR	R9	FILTER CAPACITOR (C1) BLEED RESISTOR
R14	SCALING RESISTOR (NEGATIVE LEG)		
T1	POWER ISOLATION TRANSFORMER		
TB3	SUMMARY ALARM CONTACTS		
TB5	RESISTOR (R4/R6) TERMINAL BLOCK		
TB8	TEMPCD PROBE (A10) TERMINAL BLOCK		
VR1	DC OUTPUT SURGE SUPPRESSOR (- TO +)		
VR2	AC INPUT SURGE SUPPRESSOR (L1 TO L2)		

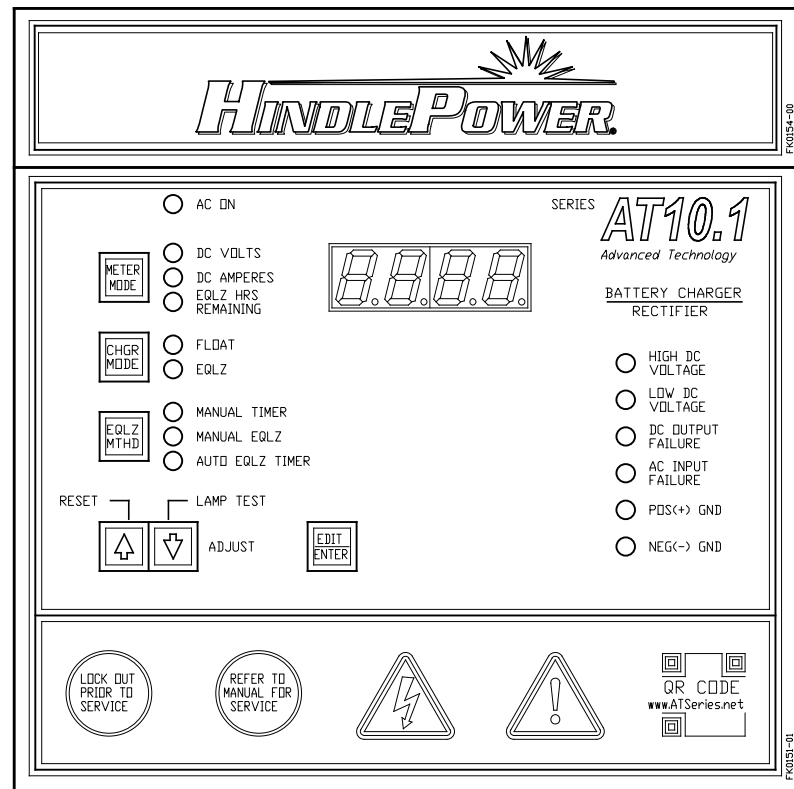
FEATURED AT10.1 GROUP I OPTION COMPONENTS

12-25ADC W/O OPTIONS

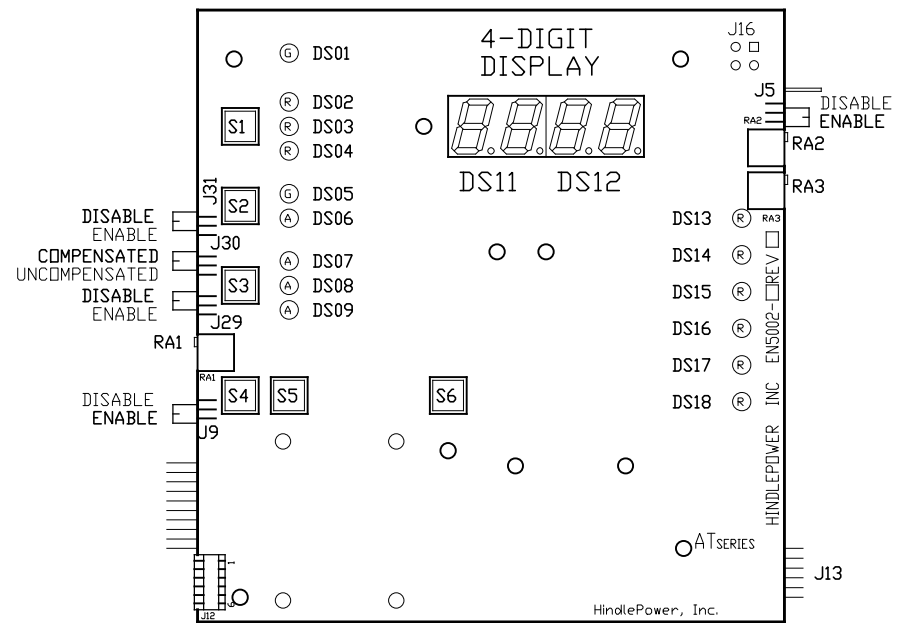
			THIRD ANGLE PROJECTION		1075 Saint John Street Easton, PA 18042-6661 PH 610-330-9000 FAX 610-330-8510 www.hindlepowerinc.com	
			DRAWN BY KMW	102721	TITLE AT10.1 SERIES BATTERY CHARGER INTERNAL COMPONENT LAYOUT: STYLE-586/594	
			ELECTRONIC APPROVAL SIGNATURES MAINTAINED BY MFG ECN LOG		DRAWING No JE5027-02	
0	N/A	102721	UNLESS OTHERWISE NOTED DIMENSIONS ARE IN INCHES. TOLERANCES ARE:		REV 0	B
REV	ECN No	DATE	SCALE NTS	SALES No	SHEET 1 OF 1	

INDICATOR LIGHTS (LEDs):

- | | |
|-------------------------------------|----------------------------------|
| DS01 - GREEN - AC ON | DS10 - RED - LOW LEVEL DETECT |
| DS02 - RED - DC VOLTS | DS11 - RED - (METER DISPLAY) |
| DS03 - RED - DC AMPERES | DS12 - RED - (METER DISPLAY) |
| DS04 - RED - EQUALIZE HRS REMAINING | DS13 - RED - HIGH DC VOLTAGE |
| DS05 - GREEN - FLDAT | DS14 - RED - LOW DC VOLTAGE |
| DS06 - AMBER - EQUALIZE | DS15 - RED - DC OUTPUT FAILURE |
| DS07 - AMBER - MANUAL TIMER | DS16 - RED - AC INPUT FAILURE |
| DS08 - AMBER - MANUAL EQUALIZE | DS17 - RED - PDS(+) GROUND FAULT |
| DS09 - AMBER - AUTO EQUALIZE TIMER | DS18 - RED - NEG(-) GROUND FAULT |

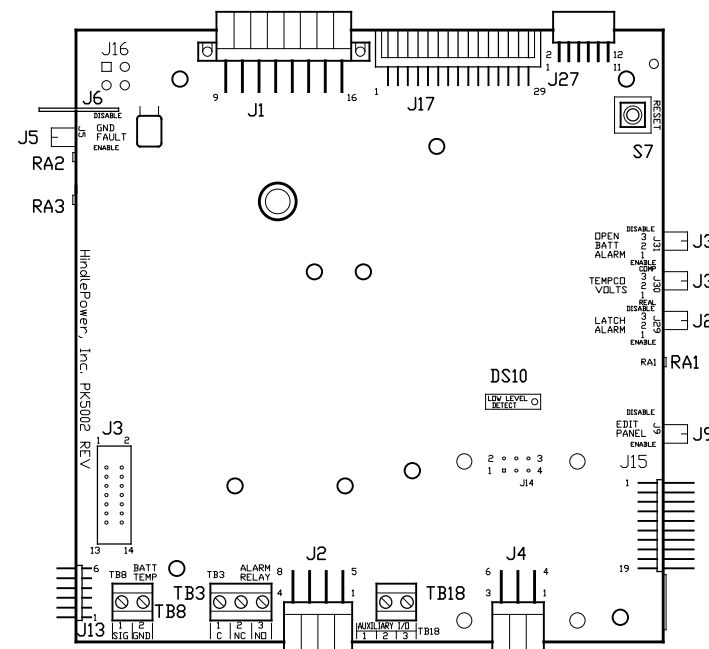


CONTROL PANEL
(PART No. FK0151-01)



MAIN CONTROL PC BOARD (A1)

FRONT VIEW - FACING CHARGER DOOR WHEN INSTALLED



MAIN CONTROL PC BOARD (A1)

BACK VIEW - FACING CHARGER COMPONENTS WHEN INSTALLED

NOTE: UNLESS OTHERWISE SPECIFIED, ALL ALARM TERMINAL BLOCKS (TB3/TB4/TB8) ARE SOLDERLESS COMPRESSION TERMINALS, ACCEPTING #22-14 AWG WIRE. ALL ALARM CONTACTS SHOWN IN NON-ALARM STATE, WITH CHARGER ENERGIZED AND ALARM RELAYS ENERGIZED (FAIL SAFE). ALL ALARM CONTACTS WILL CHANGE STATE WHEN CHARGER IS POWERED DOWN. CONTACT RATING IS 0.5A @ 125VAC/VDC RESISTIVE.

USER JUMPERS:

- J1 - MAINFRAME SIGNAL HARNESS (NOT USED IN 30-100A)
- J2 - AUX ALARM RELAY BOARD (A5) SERIAL CONNECTOR
- J4 - FORCED LOAD SHARING CABLE INTERCONNECTOR
- J5 - GROUND FAULT ENABLE/DISABLE
- J6 - EARTH GROUND CONNECTOR
- J9 - FRONT PANEL ENABLE/DISABLE (LOCKOUT)
- J13 - COMMUNICATIONS PC BOARD (A12) INTERCONNECTOR
- J17 - HO GATE DRIVER PC BOARD (A11) INTERCONNECTOR

SWITCHES:

- S1 - METER MODE
- S2 - CHARGER MODE
- S3 - EQUALIZE METHOD
- S4 - Δ ADJUST
- S5 - ∇ ADJUST
- S6 - EDIT / ENTER
- S7 - PROCESSOR MANUAL RESET

TERMINAL BLOCKS:

- TB3 - SUMMARY ALARM RELAY CONTACTS
- TB8 - OPT TEMPCO PROBE (A10) CONN
- TB18 - REM SHUTDOWN INTERFACE

- J27 - not used (3PH GATE DRIVER INTERCONNECTOR)
- J29 - LATCHING ALARMS ENABLE/DISABLE SELECTOR
- J30 - TEMPCO VOLTAGES (COMPENSATED/UNCOMP) SELECTOR
- J31 - BATTERY OPEN ALARM ENABLE/DISABLE SELECTOR

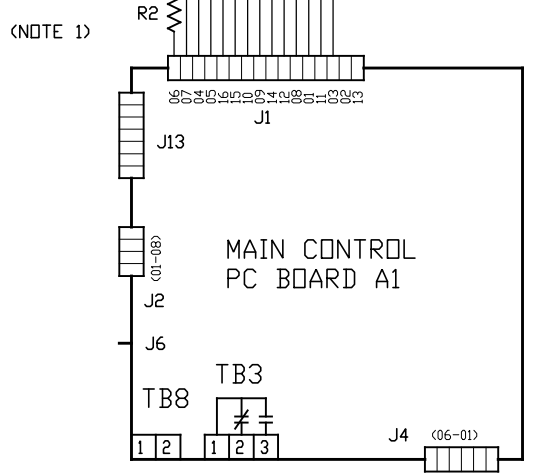
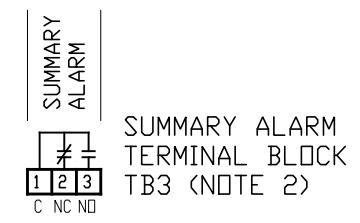
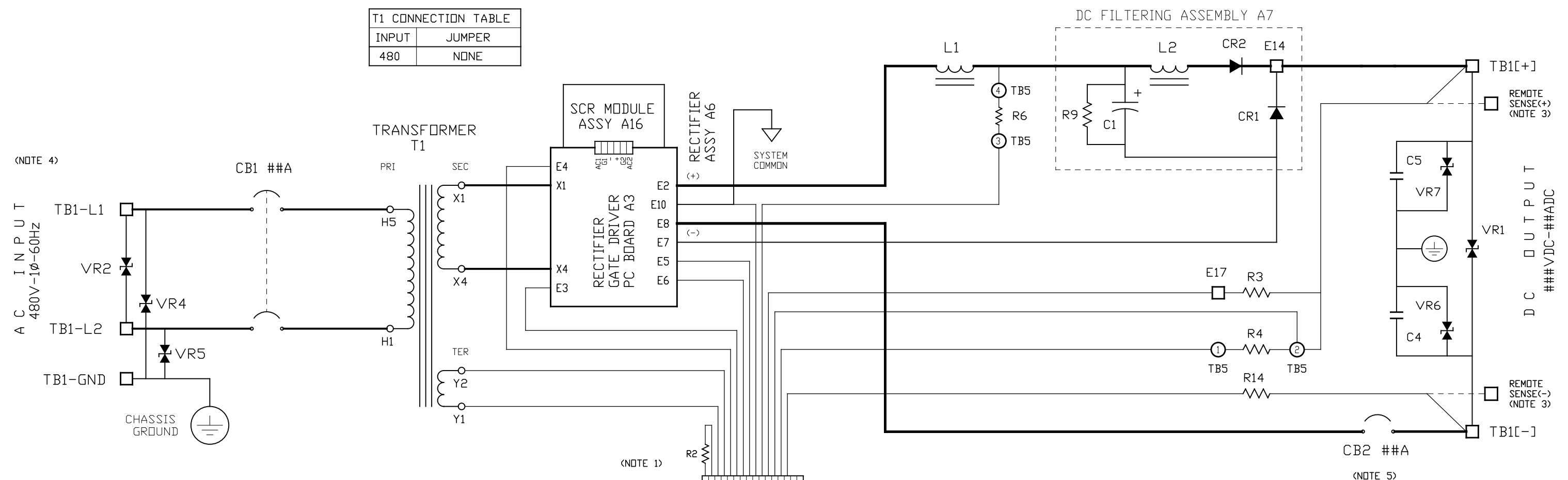
12-25ADC W/O OPTIONS

- OTHER CONTROLS:
- RA1 - LOW LEVEL DETECT ADJUST
 - RA2 - GROUND FAULT BALANCE
 - RA3 - GROUND FAULT SENSITIVITY

- NON-USER ACCESSED JUMPERS:
- J3 - OLD A5 RIBBON CONNECTOR
 - J12 - BOARD PROGRAMMING
 - J14 - OLD FORCED LOAD SHARING
 - J15 - MANUFACTURING TEST
 - J16 - OLD INTERNAL TEMP

			THIRD ANGLE PROJECTION				1075 Saint John Street Easton, PA 18042-6661 PH 610-330-9000 FAX 610-330-8510 www.hindlepowerinc.com	
			DRAWN BY KMW 102721		TITLE AT10.1 SERIES BATTERY CHARGER CONTROL PANEL / PC BOARD DETAIL			
			ELECTRONIC APPROVAL SIGNATURES MAINTAINED BY MFG ECN LOG		DRAWING No JE5030-02		REV 0 B	
0 N/A 102721			UNLESS OTHERWISE NOTED DIMENSIONS ARE IN INCHES. TOLERANCES ARE:		SCALE NTS		SALES No	
REV	ECN No	DATE			SHEET 1 OF 1			

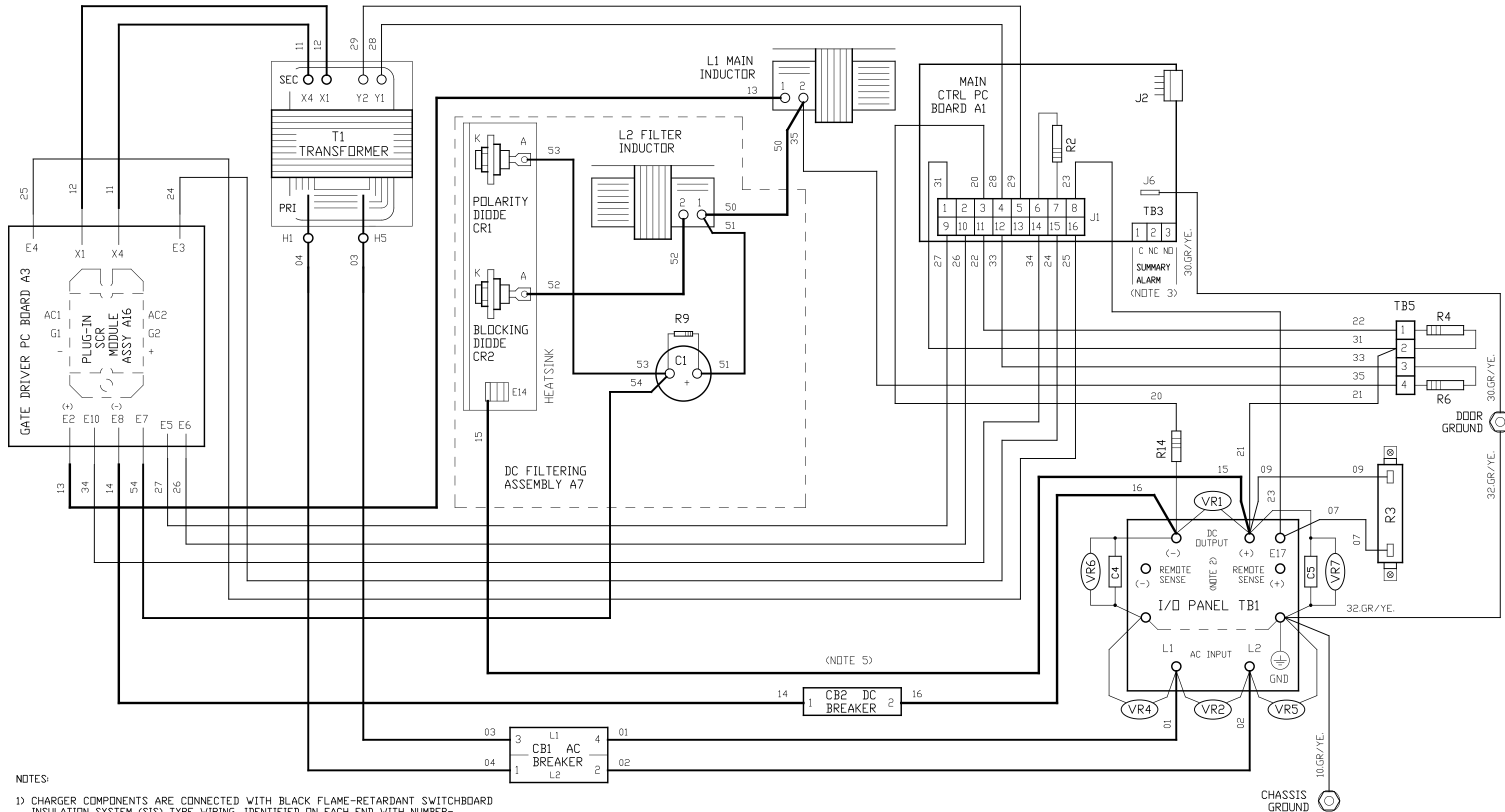
T1 CONNECTION TABLE	
INPUT	JUMPER
480	NONE



- NOTES:
- 1) FOR COMPONENT DETAILS OF ALL PC BOARDS (A1, A5, A11, etc.) SEE DETAIL DRAWING JE5030-02.
 - 2) ALL ALARM CONTACTS SHOWN IN NON-ALARM STATE, WITH CHARGER ENERGIZED AND ALARM RELAYS ENERGIZED (FAIL SAFE). ALL ALARM CONTACTS WILL CHANGE STATE WHEN CHARGER IS POWERED DOWN. CONTACT RATING IS: 0.5A @ 125VAC/VDC RESISTIVE
 - 3) WHEN REMOTE SENSE IS USED, THE VOLTAGE SENSE LEADS RUN FROM R14 TO REMOTE SENSE(-), AND FROM TB5-2 TO REMOTE SENSE(+). REFER TO CONNECTION DIAGRAM FOR WIRING DETAILS.
 - 4) AC INPUT ISOLATION TRANSFORMER (T1) IS NOT FIELD RE-TAPPABLE. NO INPUT FUSES (F1) REQUIRED ON UNITS WITH 480VAC & STANDARD AIC BREAKERS.
 - 5) 12, 24 & 48VDC UNITS FEATURE A SINGLE-POLE DC CIRCUIT BREAKER IN THE NEGATIVE BUS AS STANDARD.

- FEATURED OPTIONS:
- STANDARD DC OUTPUT FILTERING
 - AC INPUT CIRCUIT BREAKER
 - DC OUTPUT CIRCUIT BREAKER

			THIRD ANGLE PROJECTION		 1075 Saint John Street Easton, PA 18042-6661 PH 610-330-9000 FAX 610-330-8510 www.hindlepowerinc.com	
DRAWN BY KMW 102721			TITLE BATTERY CHARGER SCHEMATIC: 12-25ADC W/O OPTIONS			
ELECTRONIC APPROVAL SIGNATURES MAINTAINED BY MFG ECN LOG			DRAWING No JE5031-02		REV 0 B	
0	N/A	102721	UNLESS OTHERWISE NOTED, DIMENSIONS ARE IN INCHES. TOLERANCES ARE:			
REV	ECN No	DATE	SCALE NTS	SALES No	SHEET 1 OF 1	



NOTES:

- 1) CHARGER COMPONENTS ARE CONNECTED WITH BLACK FLAME-RETARDANT SWITCHBOARD INSULATION SYSTEM (SIS) TYPE WIRING, IDENTIFIED ON EACH END WITH NUMBER-CODED MARKERS. GROUND WIRES #10 & #32 ARE GREEN WITH YELLOW STRIPE.
- 2) WHEN REMOTE SENSE IS USED, THE LUGGED END OF R14 CONNECTS TO REMOTE SENSE(-), AND WIRE# 21 CONNECTS TB5-2 TO REMOTE SENSE(+).
- 3) STANDARD USER ALARM CONTACTS (TB3, TB4, etc.) ARE SOLDERLESS COMPRESSION SCREW TERMINALS, ACCEPTING #22-14 AWG WIRE.
- 4) (not used - reserved)
- 5) STANDARD 12, 24 AND 48 VDC UNITS CONTAIN A SINGLE-POLE DC BREAKER (CB2) IN THE NEGATIVE BUS. FOR THESE UNITS, WIRE# 15 TERMINATES AT TB1(+) AND WIRE# 17 IS NOT USED.

FEATURED OPTIONS:

- STANDARD DC OUTPUT FILTERING
- AC INPUT CIRCUIT BREAKER
- DC OUTPUT CIRCUIT BREAKER

			 THIRD ANGLE PROJECTION		1075 Saint John Street Easton, PA 18042-6661 PH 610-330-9000 FAX 610-330-8510 www.hindlepowerinc.com	
			DRAWN BY KMW 102721		TITLE BATTERY CHARGER CONNECTION DIAGRAM: 12-25ADC W/O OPTIONS	
			ELECTRONIC APPROVAL SIGNATURES MAINTAINED BY MFG ECN LOG		DRAWING No JE5033-02	
			UNLESS OTHERWISE NOTED DIMENSIONS ARE IN INCHES. TOLERANCES ARE:		REV 0 B	
0	N/A	102721			SCALE NTS	SHEET 1 OF 1
REV	ECN No	DATE			SALES No	