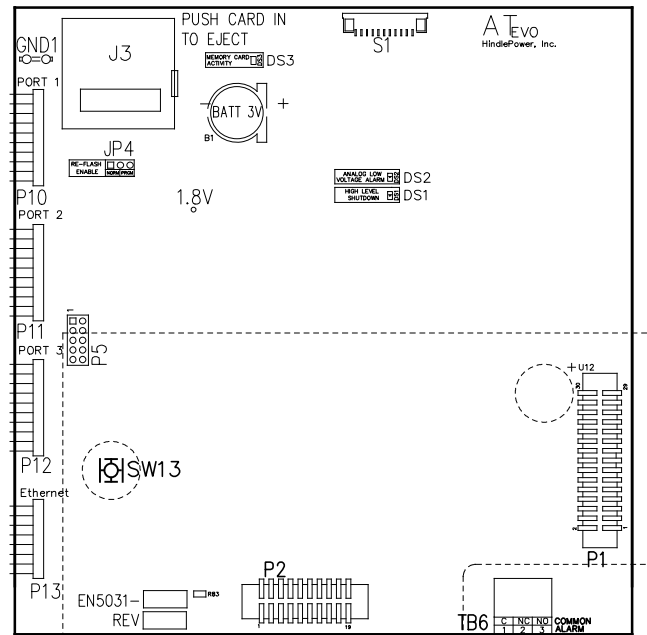
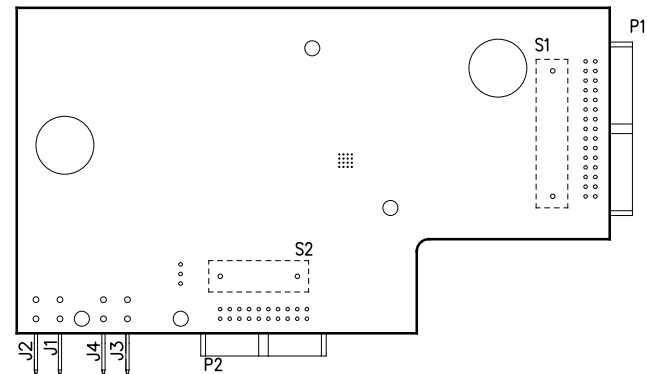


PC BOARD MOUNTING
MAIN CONTROL PC BOARD (A1)



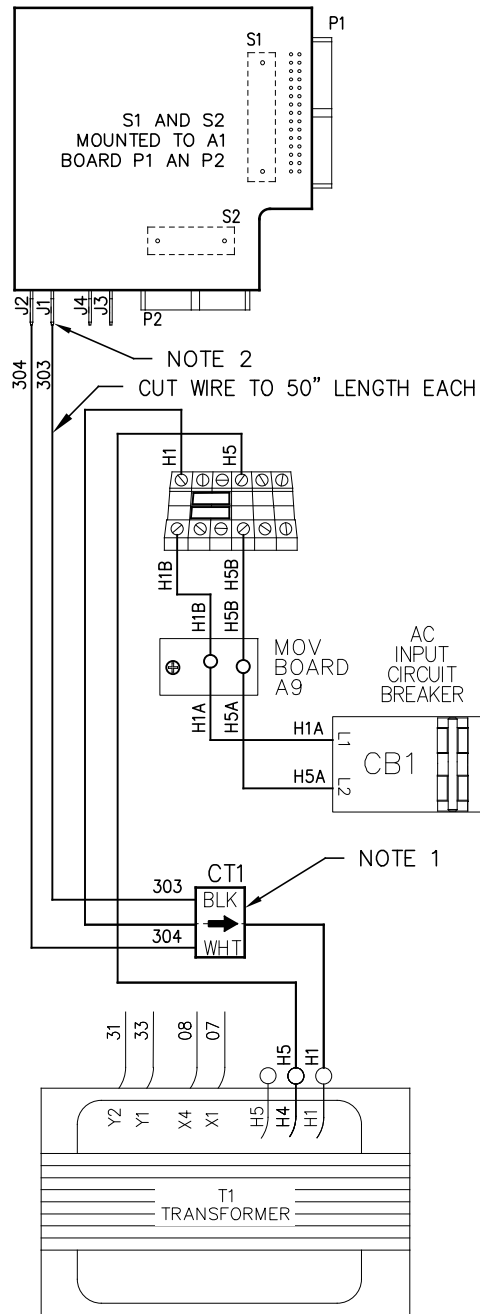
A28
NOTE 4

METER MODULE PC BOARD (A28)
MOUNTED ON MAIN CONTROL PC BOARD (A1)
(SEE DASHED LINE ABOVE)



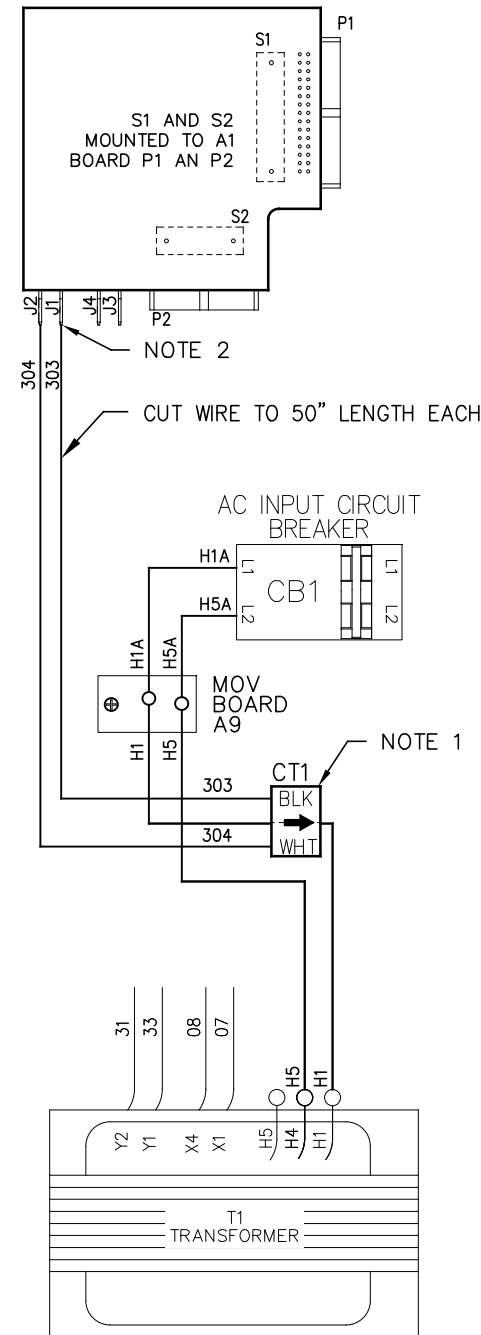
STYLE-5054
MULTI-TAP
CONFIGURATION

METER MODULE PC BOARD (A28)



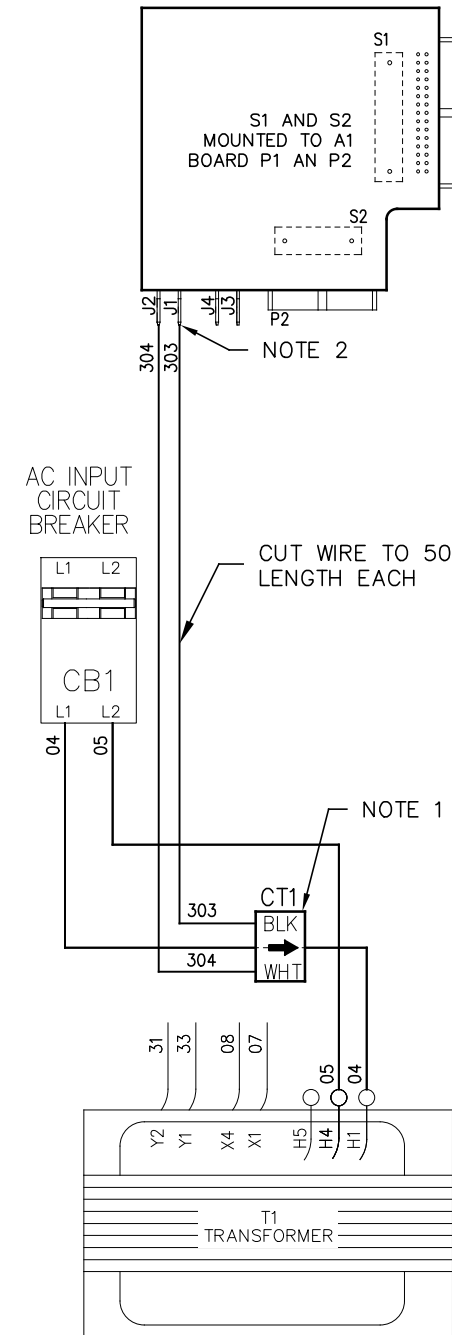
STYLE-5054
WITHOUT MULTI-TAP
CONFIGURATION

METER MODULE PC BOARD (A28)



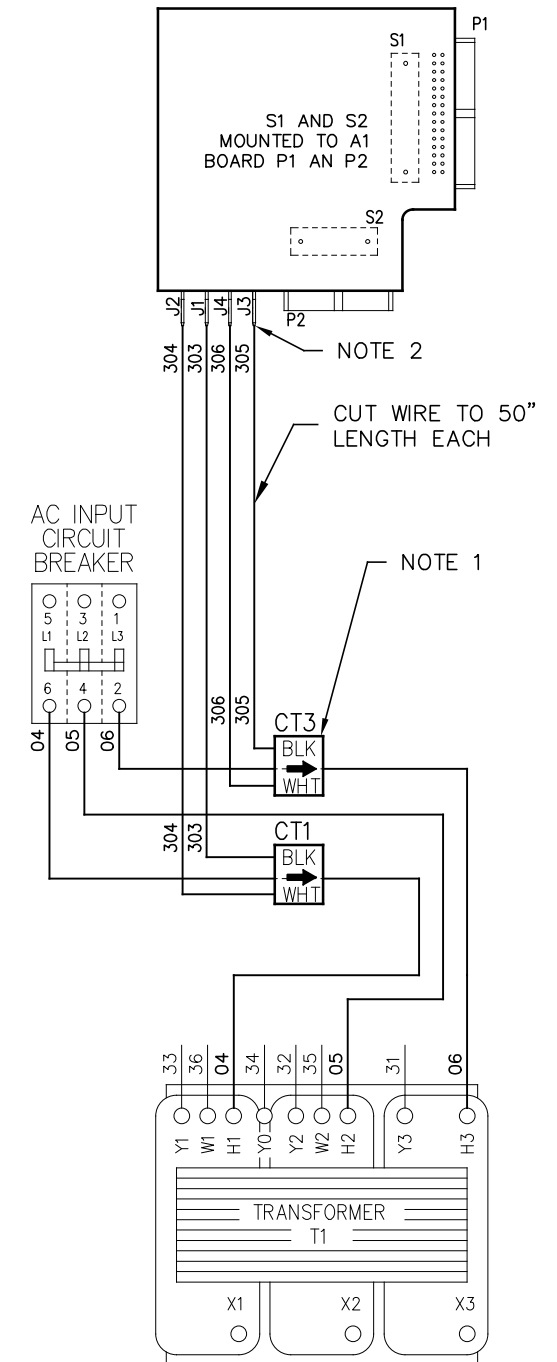
STYLE-5070 1Ø
CONFIGURATION

METER MODULE PC BOARD (A28)



3Ø CONFIGURATION
(STYLE-5070, -5030, -163, -198)


METER MODULE PC BOARD (A28)



NOTES:

1. MOUNT CURRENT TRANSFORMER (CT1, CT3) TO POWER WIRES AS SHOWN. ZIP-TIE IN PLACE.
2. ADD FEMALE QUICK CONNECT LUGS TO WIRES OF CURRENT TRANSFORMER.
3. MOUNT METER MODULE BOARD (A28) TO MAIN CONTROL (A1) BOARD AS SHOWN.
4. CONNECT WIRES AS SHOWN.
5. SEE JA5124-03 FOR USER INSTRUCTIONS.

REV. 3	DRN BY KMW	CHK BY MCR	APP BY MCR	DATE 04182024	DRN BY KJB	DATE: 12/1/2021
DESCRIPTION					CHK BY MCR	DATE: 12/1/2021
UPDATED WIRE LENGTHS TO 50" IN 5054.					APP BY MCR	DATE: 12/1/2021
ECN No. N/A					TITLE	
					ATEVO AC METERING OPTION	
					SCALE NTS	DWG No EJ5303-XX
					REV 3	SHEET 1 OF 1


HINDLEPOWER
 1075 Saint John Street
 Easton, PA 18042-6661
 PH 610-330-9000 FAX 610-330-8510
 www.hindlepowerinc.com

B SCALE NTS DWG No EJ5303-XX REV 3 SHEET 1 OF 1